

ECONOMY OPENING PORTS (H-TRIM)

• **CE Approved. According to ISO / DIS 12216**

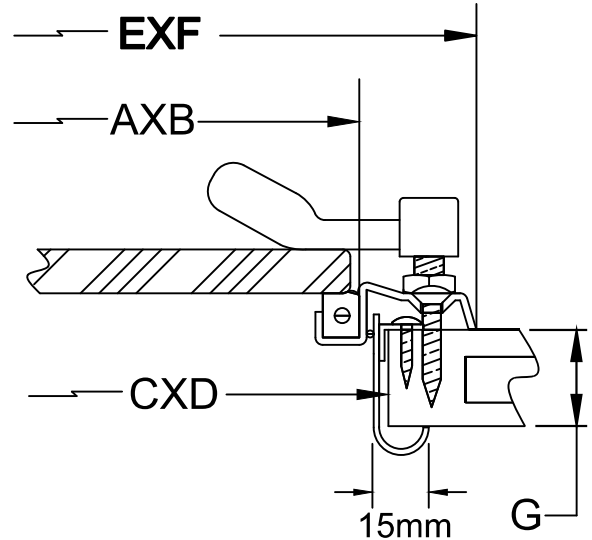
EE, EO & ER type are applied to Area III, IV . Designs for craft type "any".

- 316 stainless steel machine stamped frames, ports and hinges. Hand Polished and electro polished to provide long lasting protection against corrosion.
- Wing type nylon closures.
- Weather resistant thermo-plastic Sanplane gasket.
- Clear or Tanned Acrylic.



MODEL No.	A x B MODEL	C x D CUT OUT	E x F OVERALL	ACRYLIC THICKNESS
EE-0718	7 X 17 ³ / ₄ 178x459	7 ³ / ₈ X 18 188x458	9 ⁵ / ₈ X 20 ³ / ₈ 244x518	1/2 12

IN/MM



1. Standard spigot size

"G" available 1 1/4" 32mm · 1 1/2" 38mm · 2" 51mm · 2 1/2" 63mm · 3" 76mm · 3 1/2" 89mm

2. Special spigot size "G" available from 1 1/8" 25mm ~ 5 1/8" 125mm

3. The spigot height are needed, while ordering.



MODEL No.	A x B MODEL	C x D CUT OUT	E x F OVERALL	ACRYLIC THICKNESS
EO-0512	5 X 12 127x305	5 ³ / ₈ X 12 ³ / ₈ 137x315	7 ⁷ / ₈ X 14 ⁷ / ₈ 200x378	1/2 12
EO-0614	6 X 14 153x356	6 ³ / ₈ X 14 ³ / ₈ 162x365	8 ⁷ / ₈ X 16 ⁷ / ₈ 225x429	1/2 12
EO-0714	7 X 14 178x356	7 ³ / ₈ X 14 ³ / ₈ 188x365	9 ⁷ / ₈ X 16 ⁷ / ₈ 251x429	1/2 12
EO-0716	7 X 16 178x406	7 ³ / ₈ X 16 ³ / ₈ 188x416	9 ⁷ / ₈ X 18 ⁷ / ₈ 251x479	1/2 12
EO-0718	7 X 18 178x457	7 ³ / ₈ X 18 ³ / ₈ 188x467	9 ⁷ / ₈ X 20 ⁷ / ₈ 251x530	1/2 12
EO-0816	8 X 16 203x406	8 ³ / ₈ X 16 ³ / ₈ 213x416	10 ⁷ / ₈ X 18 ⁷ / ₈ 276x479	1/2 12
EO-0818	8 X 18 203x457	8 ³ / ₈ X 18 ³ / ₈ 213x467	10 ⁷ / ₈ X 20 ⁷ / ₈ 276x530	1/2 12

IN/MM



MODEL No.	A MODEL	C CUT OUT	F OVERALL	ACRYLIC THICKNESS
ER-0500	5 127	5 ³ / ₈ 137	7 ⁷ / ₈ 200	1/2 12
ER-0600	6 153	6 ³ / ₈ 162	8 ⁷ / ₈ 225	1/2 12
ER-0700	7 178	7 ³ / ₈ 188	9 ⁷ / ₈ 251	1/2 12
ER-0800	8 203	8 ³ / ₈ 213	10 ⁷ / ₈ 276	1/2 12

IN/MM