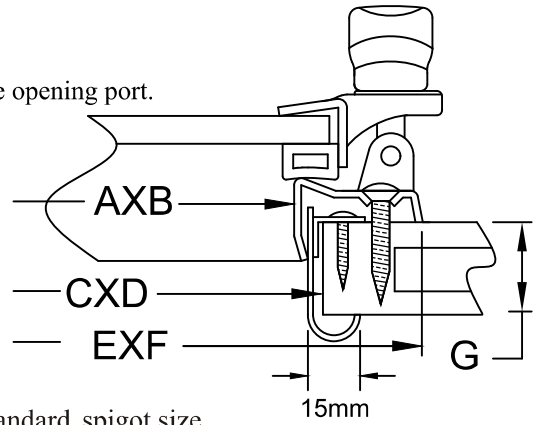


ELLIPTICAL, OVAL AND ROUND OPENING PORTS (H-TRIM)

- **CE Approved. According to ISO / DIS 12216**

LE, LO & LR type are supplied to Area III, IV. Designs for craft type "any".

- 316 stainless steel machined rolled ports. 316 stainless steel machine stamped frames. Hand Polished and electro polished to provide long lasting protection against corrosion.
- Weather resistant thermo-plastic Sanplane gasket.
- High Strength tempered glass.
- Optional fiberglass screens with rubber gaskets to ensure a tight fit on the opening port.



1. Standard spigot size
"G" available $1\frac{1}{4}$ " 32mm · $1\frac{1}{2}$ " 38mm · 2" 51mm · $2\frac{1}{2}$ " 63mm · 3" 76mm · $3\frac{1}{2}$ " 89mm
2. Special spigot size "G" available from 1" 25mm ~ 5" 125mm
3. The spigot height are needed, while ordering.

MODEL No.	A x B MODEL	C x D CUT OUT	E x F OVERALL	GLASS THICKNESS
LE-0718	7 X 17 $\frac{3}{4}$ 178X451	7 $\frac{3}{8}$ X 18 187X458	9 $\frac{5}{8}$ X 20 $\frac{3}{8}$ 244X518	$\frac{5}{16}$ 8

IN / MM



MODEL No.	A x B MODEL	C x D CUT OUT	E x F OVERALL	GLASS THICKNESS
LO-0512	5 X 12 127x305	5 $\frac{5}{8}$ X 12 $\frac{5}{8}$ 143x321	7 $\frac{7}{8}$ X 14 $\frac{7}{8}$ 200x378	$\frac{5}{16}$ 8
LO-0614	6 X 14 153x356	6 $\frac{5}{8}$ X 14 $\frac{5}{8}$ 168x371	8 $\frac{7}{8}$ X 16 $\frac{7}{8}$ 225x429	$\frac{5}{16}$ 8
LO-0714	7 X 14 178x356	7 $\frac{5}{8}$ X 14 $\frac{5}{8}$ 194x371	9 $\frac{7}{8}$ X 16 $\frac{7}{8}$ 251x429	$\frac{5}{16}$ 8
LO-0716	7 X 16 178x406	7 $\frac{5}{8}$ X 16 $\frac{5}{8}$ 194x422	9 $\frac{7}{8}$ X 18 $\frac{7}{8}$ 251x479	$\frac{5}{16}$ 8
LO-0718	7 X 18 178x457	7 $\frac{5}{8}$ X 18 $\frac{5}{8}$ 194x473	9 $\frac{7}{8}$ X 20 $\frac{7}{8}$ 251x530	$\frac{5}{16}$ 8
LO-0816	8 X 16 203x406	8 $\frac{5}{8}$ X 16 $\frac{5}{8}$ 219x422	10 $\frac{7}{8}$ X 18 $\frac{7}{8}$ 276x479	$\frac{5}{16}$ 8
LO-0818	8 X 18 203x457	8 $\frac{5}{8}$ X 18 $\frac{5}{8}$ 219x473m	10 $\frac{7}{8}$ X 20 $\frac{7}{8}$ 276x530	$\frac{5}{16}$ 8

IN / MM



MODEL No.	A MODEL	C CUT OUT	F OVERALL	GLASS THICKNESS
LR-0500	5 127mm	5 $\frac{5}{8}$ 143	7 $\frac{7}{8}$ 200	$\frac{5}{16}$ 8
LR-0600	6 153mm	6 $\frac{5}{8}$ 168	8 $\frac{7}{8}$ 225	$\frac{5}{16}$ 8
LR-0700	7 178mm	7 $\frac{5}{8}$ 194	9 $\frac{7}{8}$ 251	$\frac{5}{16}$ 8
LR-0800	8 203mm	8 $\frac{5}{8}$ 219	10 $\frac{7}{8}$ 276	$\frac{5}{16}$ 8

IN / MM



LO Oval portholes LE Elliptical portholes
boat outside view

OPENING PORTS (H-TRIM) WITH STORM COVERS

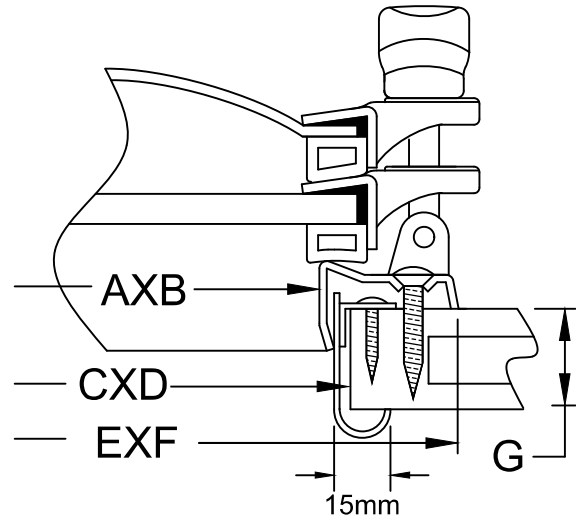
- **CE Approved. According to ISO / DIS 12216**
CLE, CLR & CLO type are applied to Area I, II, III, IV. Designs for craft type "any".
- Each cover is machine stamped 316 stainless steel. Hand Polished and electro polished to provide long lasting protection against corrosion.
- All other features are the same as our **RECTANGULAR OPENING PORTS**.



MODEL No.	A x B MODEL	C x D CUT OUT	E x F OVERALL	GLASS THICKNESS
CLE-0718	7 X 17 ³ / ₄ 178x451	7 ³ / ₈ X 18 187x458	9 ⁵ / ₈ X 20 ³ / ₈ 244x518	5 ¹ / ₁₆

IN/MM

- Fixed or removable storm cover available.



1. Standard spigot size
"G" available 1 ¹/₄" 32mm · 1 ¹/₂" 38mm · 2 ¹/₈" 51mm · 2 ¹/₂" 63mm · 3 ¹/₈" 76mm · 3 ¹/₂" 89mm
2. Special spigot size "G" available from 1 ²/₅" ~ 5 ¹/₈" 125mm
3. The spigot height are needed, while ordering.



MODEL No.	A x B MODEL	C x D CUT OUT	E x F OVERALL	GLASS THICKNESS
CLO-0716	7 X 16 178x406	7 ⁵ / ₈ X 16 ⁵ / ₈ 194x422	9 ⁷ / ₈ X 18 ⁷ / ₈ 251x479	5 ¹ / ₁₆ 8
CLO-0718	7 X 18 178x457	7 ⁵ / ₈ X 18 ⁵ / ₈ 194x473	9 ⁷ / ₈ X 20 ⁷ / ₈ 251x530	5 ¹ / ₁₆
CLO-0816	8 X 16 203x406	8 ⁵ / ₈ X 16 ⁵ / ₈ 219x422	10 ⁷ / ₈ X 18 ⁷ / ₈ 276x479	5 ¹ / ₁₆ 8
CLO-0818	8 X 18 203x457	8 ⁵ / ₈ X 18 ⁵ / ₈ 219x473	10 ⁷ / ₈ X 20 ⁷ / ₈ 276x530	5 ¹ / ₁₆ 8

IN/MM



MODEL No.	A MODEL	C CUT OUT	F OVERALL	GLASS THICKNESS
CLR-0800	8 203	8 ⁵ / ₈ 219	10 ⁷ / ₈ 276	5 ¹ / ₁₆ 8

IN/MM