

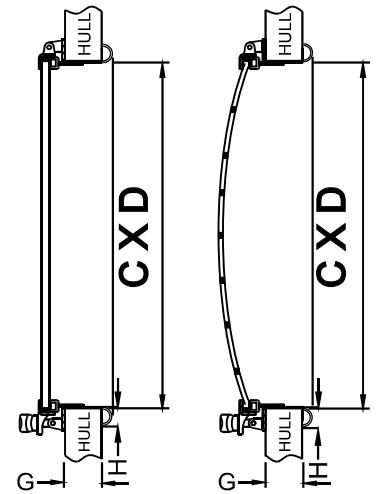
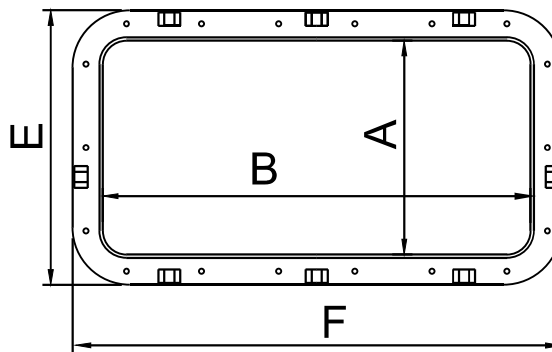
# OPENING PORTS (H-TRIM)

H-Trim: 316 stainless steel material, the appearance is elegant, not the same as traditional frames.

## LS-H



### LS-H · CLS-H OPENING PORTHOLE



## LS-H, CLS-H

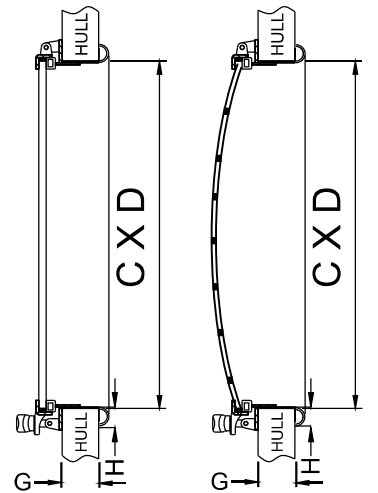
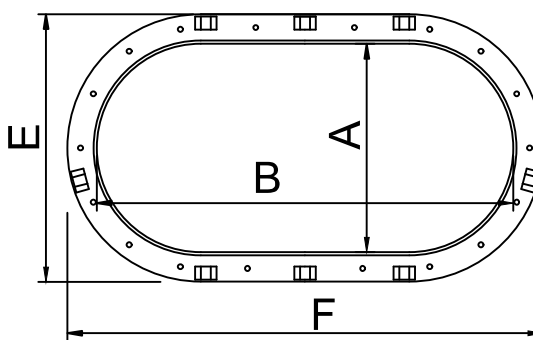
MODEL No.		A x B		C x D		E x F		H	R	R1	GLASS THICKNESS
W/O COVER	W/COVER	MODEL		CUT OUT SIZE		OVERALL					
LS-0512H		5X12	127X305	5 1/2 X 12 3/8	139X313	7 5/8 X 14 1/2	193x368	5/8 15	1 1/4 32	2 3/8 62	1/4 6
LS-0714H		7X14	178X356	7 1/2 X 14 1/2	190X368	9 5/8 X 16 5/8	244x422	5/8 15	1 1/4 32	2 3/8 62	1/4 6
LS-0716H	CLS-0716H	7X16	178X406	7 1/2 X 16 1/2	190X419	9 5/8 X 18 5/8	244x473	5/8 15	1 1/4 32	2 3/8 62	1/4 6
LS-0718H	CLS-0718H	7X18	178X457	7 1/2 X 18 1/2	190X470	9 5/8 X 20 5/8	244x524	5/8 15	1 1/4 32	2 3/8 62	1/4 6
LS-0816H	CLS-0816H	8X16	203X406	8 1/2 X 16 1/2	216X419	10 5/8 X 18 5/8	269x473	5/8 15	1 1/4 32	2 3/8 62	1/4 6
LS-0818H	CLS-0818H	8X18	203X457	8 1/2 X 18 1/2	216X470	10 5/8 X 20 5/8	269x524	5/8 15	1 1/4 32	2 3/8 62	1/4 6
LS-1020H	CLS-1020H	10X20	254X508	10 5/8 X 20 5/8	268X522	12 7/8 X 22 7/8	327x581	3/4 20	1 1/4 32	2 1/2 65	3/8 10
LS-1024H	CLS-1024H	10X24	254X609	10 5/8 X 24 5/8	268X623	12 7/8 X 26 7/8	327x682	3/4 20	1 1/4 32	2 1/2 65	3/8 10
LS-1224H	CLS-1224H	12X24	305X609	12 5/8 X 24 5/8	319X623	14 7/8 X 26 7/8	378x682	3/4 20	1 1/4 32	2 1/2 65	3/8 10
LS-1228H	CLS-1228H	12X28	305X710	12 5/8 X 28 5/8	319X724	14 7/8 X 30 7/8	378x784	3/4 20	1 1/4 32	2 1/2 65	3/8 10

IN/MM

## CLSO-H



### LSO-H · CLSO-H OPENING PORTHOLE



## LSO-H, CLSO-H

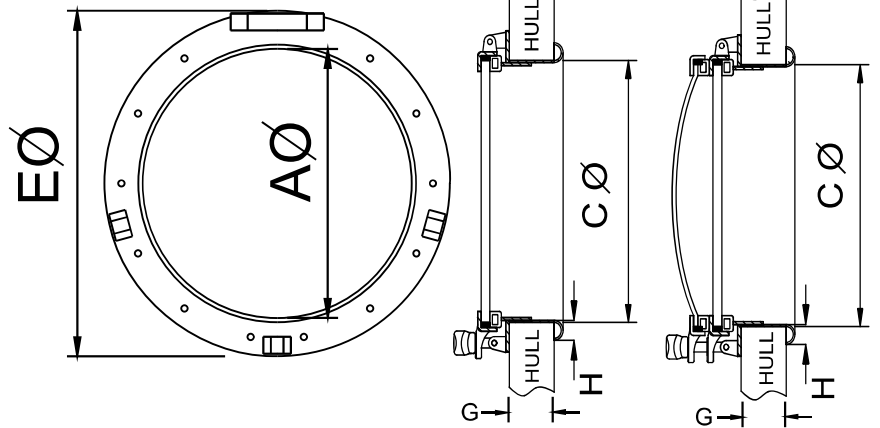
MODEL No.		A x B		C x D		E x F		H	R	R1	GLASS THICKNESS
W/O COVER	W/COVER	MODEL		CUT OUT SIZE		OVERALL					
LSO-0512H		5X12	127X305	5 1/2 X 12 3/8	139X313	7 5/8 X 14 1/2	193x368	5/8 15	1 1/4 32	2 3/8 62	1/4 6
LSO-0714H		7X14	178X356	7 1/2 X 14 1/2	190X368	9 5/8 X 16 5/8	244x422	5/8 15	1 1/4 32	2 3/8 62	1/4 6
LSO-0716H	CLSO-0716H	7X16	178X406	7 1/2 X 16 1/2	190X419	9 5/8 X 18 5/8	244x473	5/8 15	1 1/4 32	2 3/8 62	1/4 6
LSO-0718H	CLSO-0718H	7X18	178X457	7 1/2 X 18 1/2	190X470	9 5/8 X 20 5/8	244x524	5/8 15	1 1/4 32	2 3/8 62	1/4 6
LSO-0816H	CLSO-0816H	8X16	203X406	8 1/2 X 16 1/2	216X419	10 5/8 X 18 5/8	269x473	5/8 15	1 1/4 32	2 3/8 62	1/4 6
LSO-0818H	CLSO-0818H	8X18	203X457	8 1/2 X 18 1/2	216X470	10 5/8 X 20 5/8	269x524	5/8 15	1 1/4 32	2 3/8 62	1/4 6
LSO-1020H	CLSO-1020H	10X20	254X508	10 5/8 X 20 5/8	268X522	12 7/8 X 22 7/8	327x581	3/4 20	1 1/4 32	2 1/2 65	3/8 10
LSO-1024H	CLSO-1024H	10X24	254X609	10 5/8 X 24 5/8	268X623	12 7/8 X 26 7/8	327x682	3/4 20	1 1/4 32	2 1/2 65	3/8 10
LSO-1224H	CLSO-1224H	12X24	305X609	12 5/8 X 24 5/8	319X623	14 7/8 X 26 7/8	378x682	3/4 20	1 1/4 32	2 1/2 65	3/8 10
LSO-1228H	CLSO-1228H	12X28	305X710	12 5/8 X 28 5/8	319X724	14 7/8 X 30 7/8	378x784	3/4 20	1 1/4 32	2 1/2 65	3/8 10

IN/MM

**CLSR-H**



**LSR-H · CLSR-H OPENING PORTHOLE**



**LSR-H, CLSR-H**

MODEL No.		A	C	E	H	GLASS THICKNESS
W/O COVER	W/COVER	MODEL	CUT OUT SIZE	OVERALL		
LSR-1000H	CLSR-1000H	10 254	10 1/2 267	12 7/8 327	3/4 20	3/8 10
LSR-1200H	CLSR-1200H	12 305	12 1/2 318	14 7/8 378	3/4 20	3/8 10
LSR-1400H	CLSR-1400H	14 356	14 1/2 368	16 7/8 429	3/4 20	3/8 10

IN/MM

1. Standard angled spigot size "G" available 1 1/4" 32mm · 1 1/2" 38mm · 2" 51mm · 2 1/2" 63mm · 3" 76mm · 3 1/2" 89mm
2. Special spigot size "G" available from 1" 25.4mm ~ 5" 127mm
3. Custom sizes available if Radius ( R & R1 ) are kept unchanged.
4. The spigot height are needed, while ordering.

