

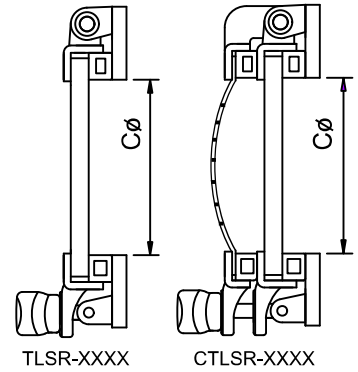
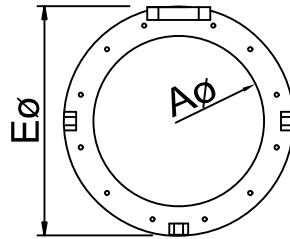
# HEAVY DUTY PORTS

Suitable for steel boat and Aluminum boat.

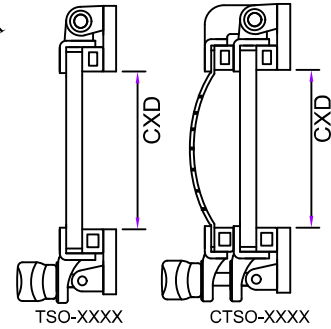
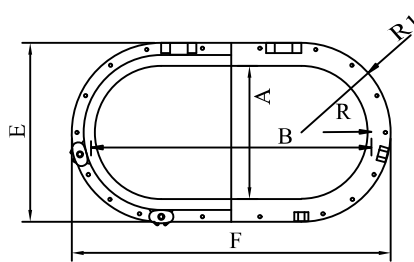
• **CE** Approved. According to ISO / DIS 12216

TLS, TLSO, TLSR type are applied to Area III, IV. Designs for craft type "any".

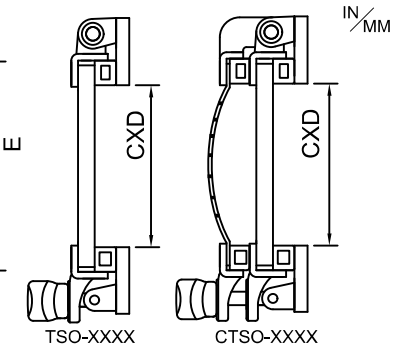
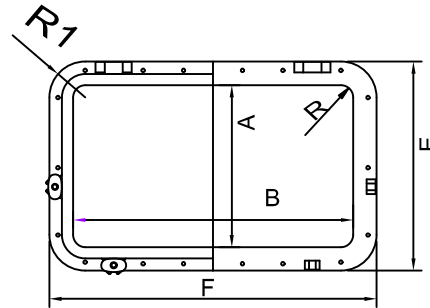
CTLS, CTLSO, CTLSR type are applied to Area I, II, III, IV. Designs for craft type "any".



MODEL No.		A x B		C x D		E x F		GLASS THICKNESS	
W/O COVER	W/COVER	MODEL	MODEL	CUT OUT SIZE		OVERALL			
TLSR-1000	CTLSR-1000	10	254	10	254	13 5/16	338	3/8	10
TLSR-1200	CTLSR-1200	12	305	12	305	15 5/16	389	3/8	10
TLSR-1400	CTLSR-1400	14	356	14	356	17 5/16	440	3/8	10



MODEL No.		A x B		C x D		E x F		R	R1	GLASS THICKNESS
W/O COVER	W/COVER	MODEL	MODEL	CUT OUT SIZE		OVERALL				
TLSO-1020	CTLSO-1020	10X20	254X508	10X20	254X508	13 5/16 X 23 5/16	338x592	5 127	6 5/8 169	3/8 10
TLSO-1024	CTLSO-1024	10X24	254X609	10X24	254X609	13 5/16 X 27 5/16	338x694	5 127	6 5/8 169	3/8 10
TLSO-1224	CTLSO-1224	12X24	305X609	12X24	305X609	15 5/16 X 27 5/16	389x694	6 152	7 5/8 194	3/8 10
TLSO-1228	CTLSO-1228	12X28	305X710	12X28	305X710	15 5/16 X 31 5/16	389x795	6 152	7 5/8 194	3/8 10

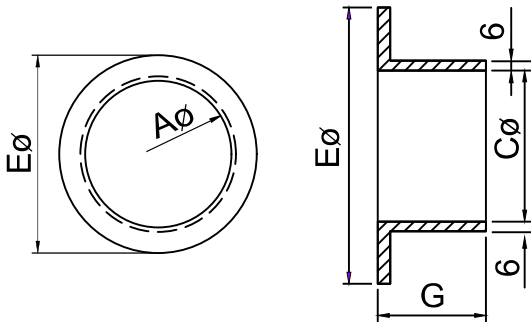


MODEL No.		A x B		C x D		E x F		R	R1	GLASS THICKNESS
W/O COVER	W/COVER	MODEL	MODEL	CUT OUT SIZE		OVERALL				
TLS-1020	CTLS-1020	10X20	254X508	10X20	254X508	13 5/16 X 23 5/16	338x592	2" 50	3 5/8 92	3/8 10
TLS-1024	CTLS-1024	10X24	254X609	10X24	254X609	13 5/16 X 27 5/16	338x694	2" 50	3 5/8 92	3/8 10
TLS-1224	CTLS-1224	12X24	305X609	12X24	305X609	15 5/16 X 27 5/16	389x694	2" 50	3 5/8 92	3/8 10
TLS-1228	CTLS-1228	12X28	305X710	12X28	305X710	15 5/16 X 31 5/16	389x795	2" 50	3 5/8 92	3/8 10

IN/MM

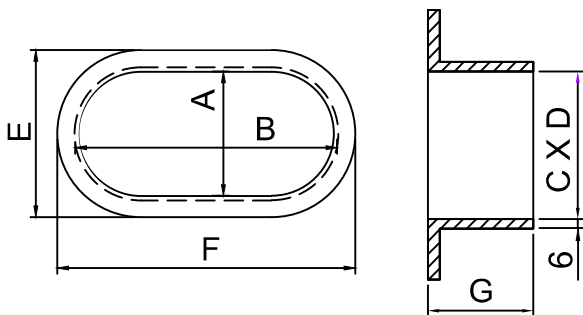
# HEAVY DUTY PORTS (G)

1. Install with heavy duty ports spigot and weld on the hull spigot (G). Stainless Steel (316) and Aluminum (5052) are available.
2. Standard angled spigot size "G" available 1-1/4" (32mm), 1-1/2" (38mm), 2" (51mm), 2-1/2" (63mm), 3" (76mm), 3-1/2" (89mm).
3. Special spigot size "G" available from 1" (25.4mm)~6" (152mm).
4. Custom sizes available if Radius (R&R1) are kept unchanged.
5. The spigot height are needed, while ordering.



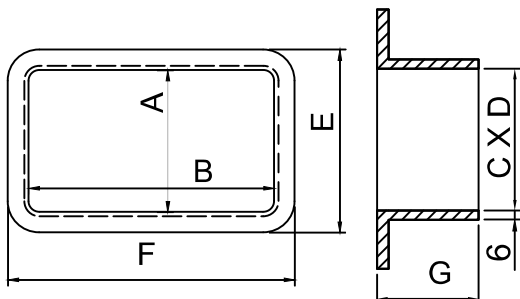
MODEL NO.		A	E
		MODEL	OVER ALL
TLSR-1000G	CTLSR-1000G	10 254	13-5/16 338
TLSR-1200G	CTLSR-1200G	12 305	15-5/16 389
TLSR-1400G	CTLSR-1400G	14 356	17-5/16 440

IN/MM



MODEL NO.		A x B	E x F
		MODEL	OVER ALL
TLSO-1020G	CTLSO-1020G	10X20 254X508	13-5/16X23-5/16 338X592
TLSO-1024G	CTLSO-1024G	10X24 254X609	13-5/16X27-5/16 338X694
TLSO-1224G	CTLSO-1224G	12X24 305X609	15-5/16X27-5/16 389X694
TLSO-1228G	CTLSO-1228G	12X28 305X710	15-5/16X31-5/16 389X795

IN/MM



MODEL NO.		A x B	E x F
		MODEL	OVER ALL
TLS-1020G	CTLS-1020G	10X20 254X508	13-5/16X23-5/16 338X592
TLS-1024G	CTLS-1024G	10X24 254X609	13-5/16X27-5/16 338X694
TLS-1224G	CTLS-1224G	12X24 305X609	15-5/16X27-5/16 389X694
TLS-1228G	CTLS-1228G	12X28 305X710	15-5/16X31-5/16 389X795

