

# PORTLIGHTS



set screw to be adjusted for water tightness.

LS, LSO, LSR, LO, LE, LR(Model No.0512-0818)adopt Anti-UV, Anti-rubbing. Polycarbonate sheet clear 8mm without storm cover that meet with CE approval. Then its part no. will become PLS, PLSO, PLSR, PLO, PLE, PLR for ordering. According to ISO/DIS 12216 for Area I II III IV designs for craft type "any".

• **CE Approved. According to ISO/DIS 12216**  
**LS, LSO, LSR type are approved for Area III, IV, designs for craft type "any".**  
**CLS, CLSO, CLSR type approved for Area I, II, III, and IV, designs for craft type "any".**

- 316 stainless steel machined rolled frames hand polished and electro polished to provide long lasting protection against corrosion.
- Cast 316 stainless steel hinges with set screw to adjust gasket pressure.
- Weather resistant thermo-plastic Sanplane gasket.
- High Strength tempered clear glass.
- Optional fiberglass screens with rubber gaskets to ensure a tight fit on the inside of the opening port.
- Straight or angled spigots available.
- Off-white powder coating available.
- Standard ports are with plastic black knob as closing handle. This handle can be changed into s/s ring.
- Fixed or removable storm cover available.



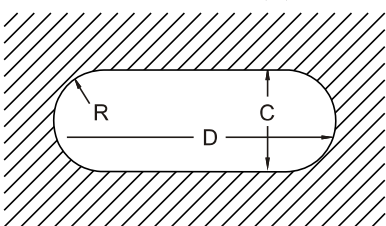
Additional "STAY" can be added, if you like.

Glass colors available

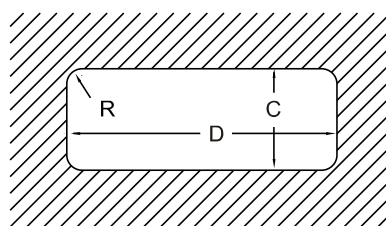


(Standard) Clear Tanned Tint blue Tint Grey

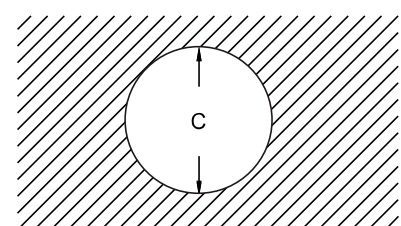
C x D-CUTOUT SIZE



OVAL PORTHOLES



RECTANGULAR PORTHOLES

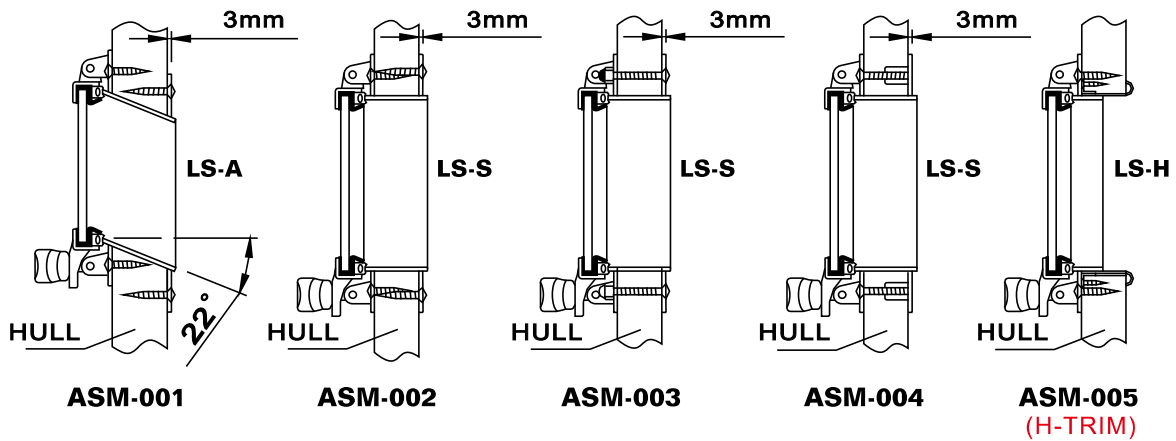


ROUND PORTHOLES



## HOW TO FIX THE PORTLIGHT

- These are options for models LS, LSO, LSR, CLS, CLSO, CLSR, FLS, FLSo, & FLsR
- For LS-H, CLS-H, LSO-H, CLSO-H, CSR-H, CLSR-H must installed via ASM-005 only



- ※ To order Man Ship portlights, please take note below
1. All the models in catalog are standard. Pls advise model no, and spigot G when ordering.
  2. For custom portlights, cut-out sizes and the spigot (G) dimension are required
  3. Optional items, please indicate preferences when ordering:
    - A. Standard installation method is ASM-001 or ASM-002. Upgrade options: ASM-003 or ASM-004
    - B. Colored glass: tanned, tint blue, tint green (Standard glass: clear)
    - C. Parts- (a) Stainless steel ring dog (b) Stay (c) Screen
    - D. Powder coating (off-white/pure white/black) or Titanium plated (Golden color)

## OPTIONAL PARTS (for ports)

Pls inform the size A x B of ports while ordering. We will offer suitable parts to your need.



(a) Stainless steel ring dog.



(b) "Stay" can be opened at any degree.  
If order Stay, pls must advise the dimensions of ports.



(c) Screen