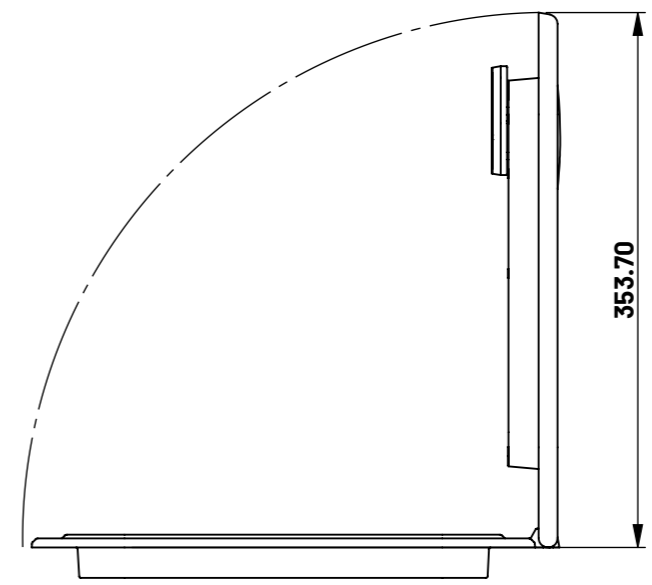
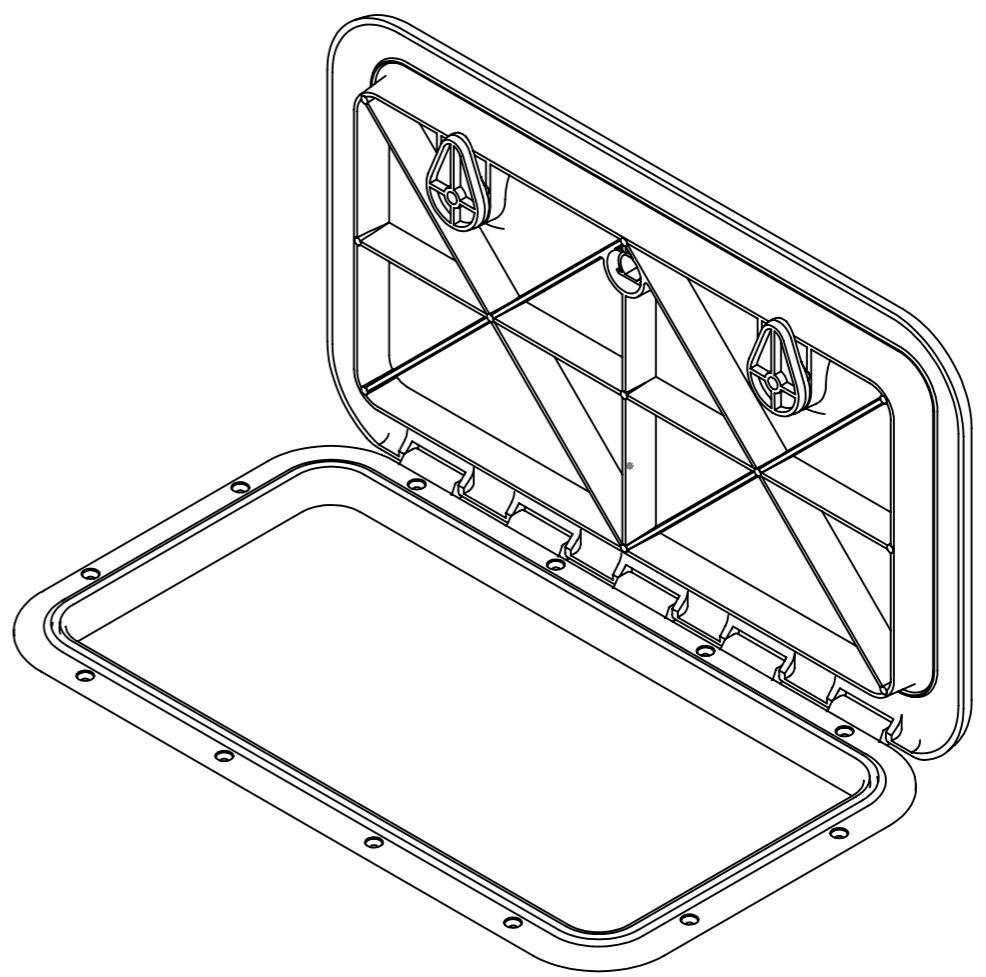
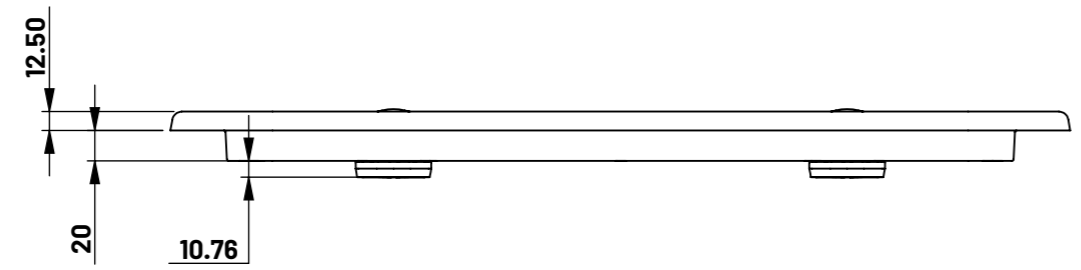
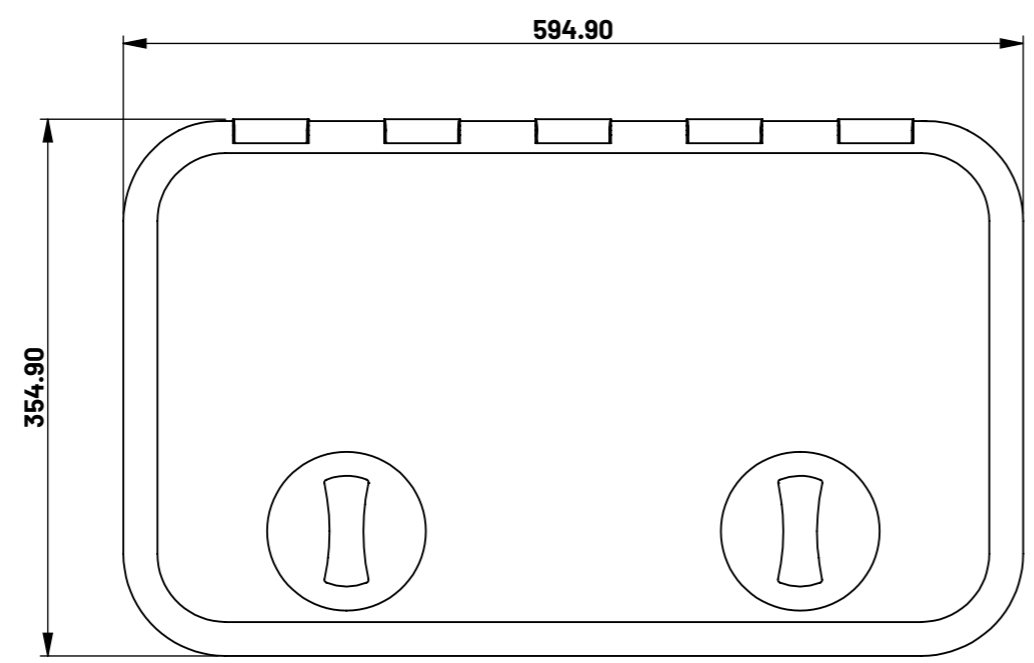
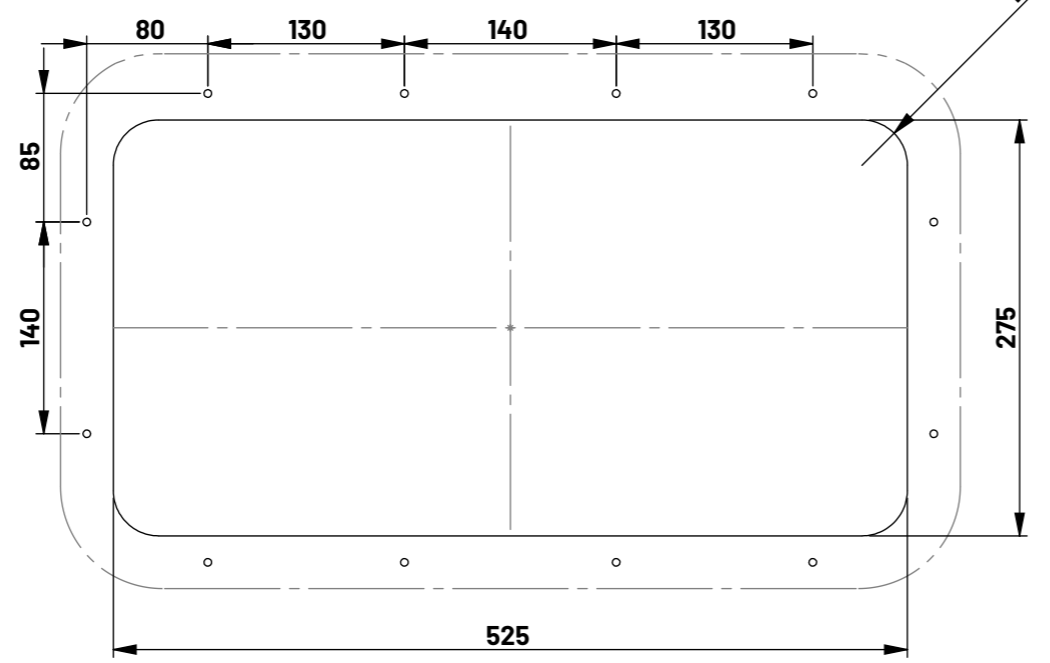


RECOMMENDED CUTOUT



Sopac Marine Ltd.

Copyright © 2019 Sopac Marine Ltd. Information contained in this drawing may not be reproduced or used for any purpose without express written permission from Sopac Marine.
www.sopac.co.nz | info@sopac.co.nz | 41c William Pickering Drive, Albany, Auckland, New Zealand

DIMENSIONS ARE IN: mm
TOLERANCES:
Angular: +/- 0.5
One Place Decimal: +/- 0.100
Two Place Decimal: +/- 0.050
Three Place Decimal: +/- 0.025

MATERIAL: n/a
VOLUME: n/amm³

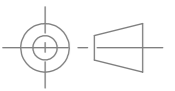
| REVISION | NOTES | DATE |
|----------|-------|------|
| | | |
| | | |
| | | |

FINISH: n/a
DENSITY: n/ag/mm³
WEIGHT: n/ag

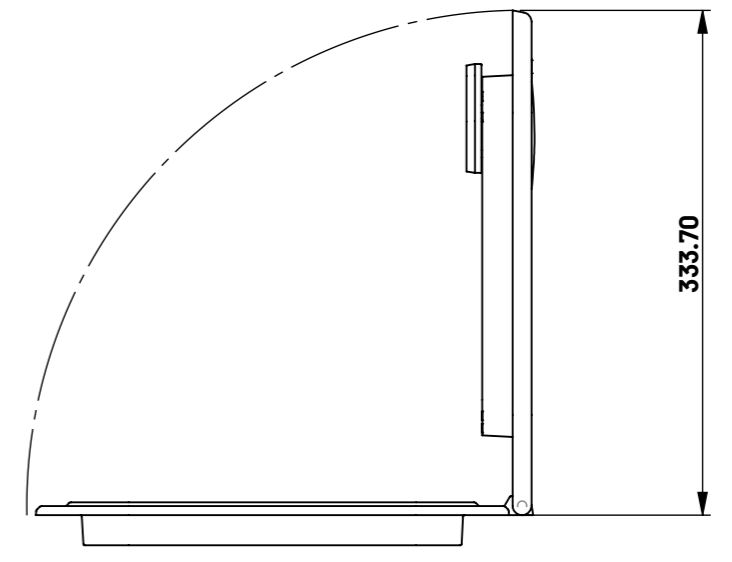
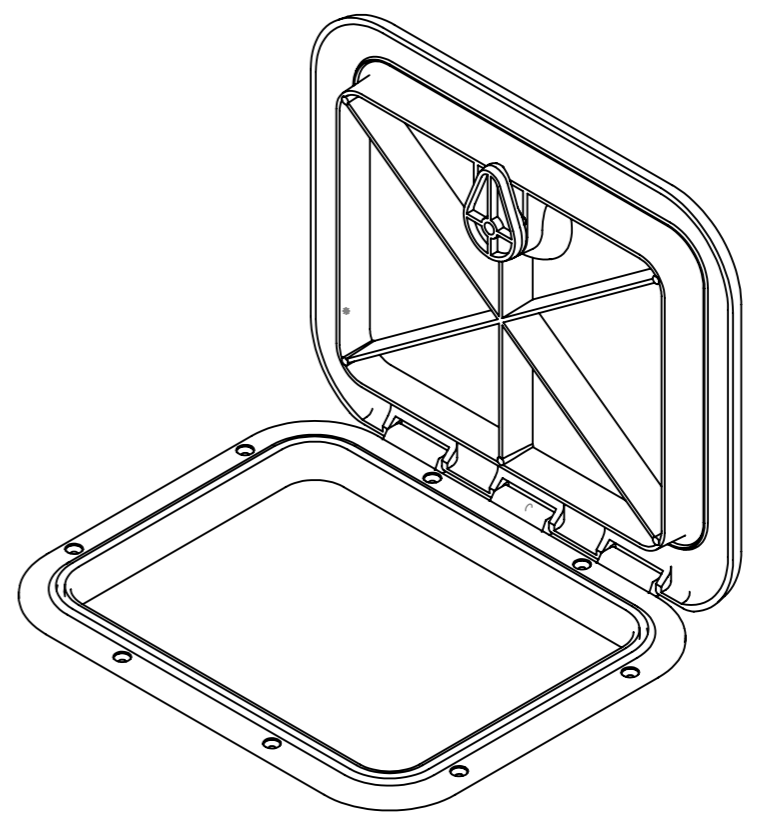
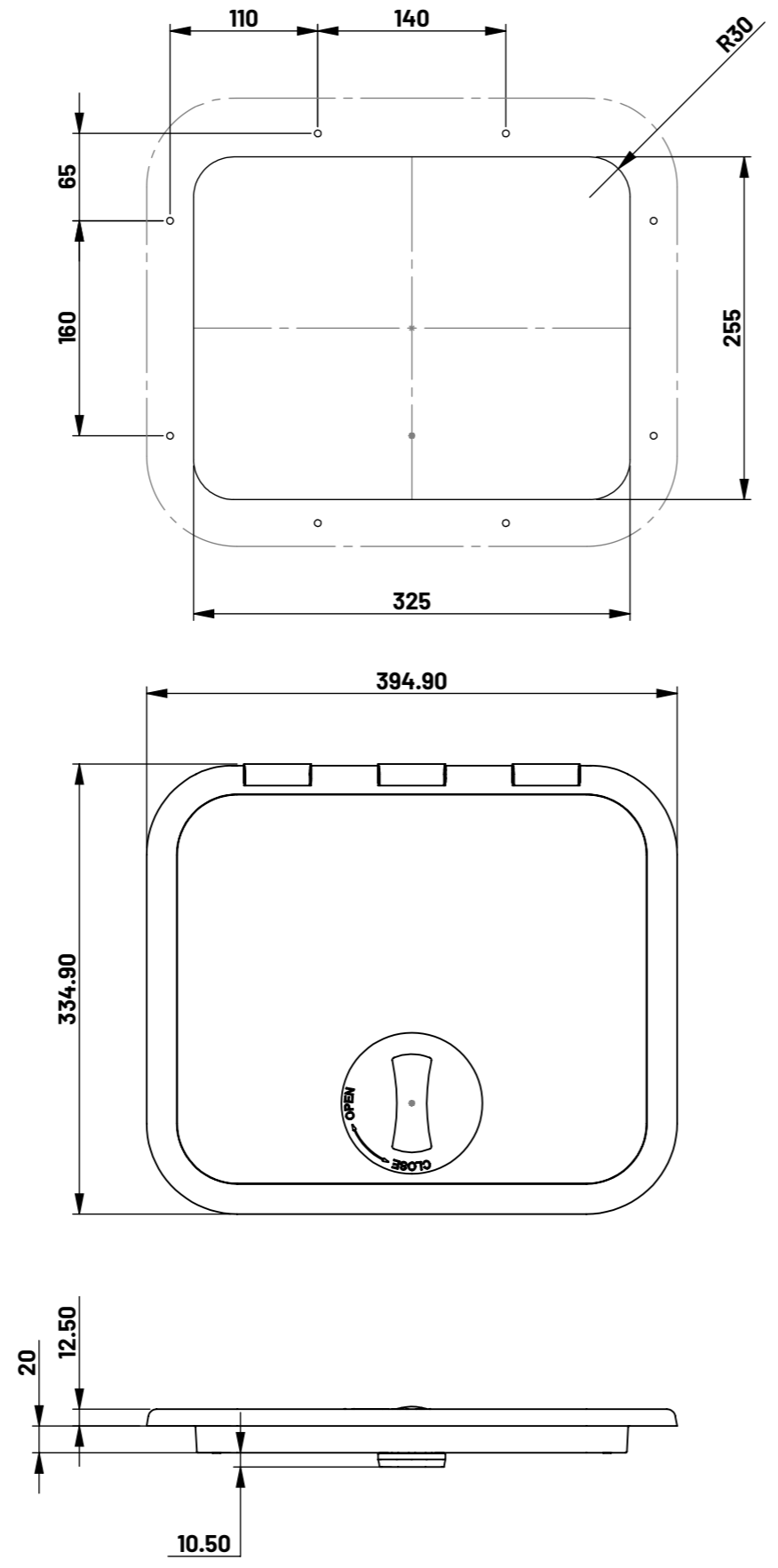
TITLE / PART NUMBER:
SOP002 - Hatch Drawing
Large

| REVISION: | SHEET: | SCALE: | SIZE: | DATE: |
|-----------|--------|--------|-------|------------|
| A | 1 of 3 | 1:5 | A3 | 14/11/2019 |

DRAWN BY: BLENDER
APPROVED: n/a



RECOMMENDED CUTOUT



Sopac Marine Ltd.

Copyright © 2019 Sopac Marine Ltd. Information contained in this drawing may not be reproduced or used for any purpose without express written permission from Sopac Marine.
www.sopac.co.nz | info@sopac.co.nz | 41c William Pickering Drive, Albany, Auckland, New Zealand

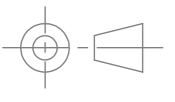
DIMENSIONS ARE IN: mm
TOLERANCES:
Angular: +/- 0.5
One Place Decimal: +/- 0.100
Two Place Decimal: +/- 0.050
Three Place Decimal: +/- 0.025

MATERIAL: n/a
VOLUME: n/amm³

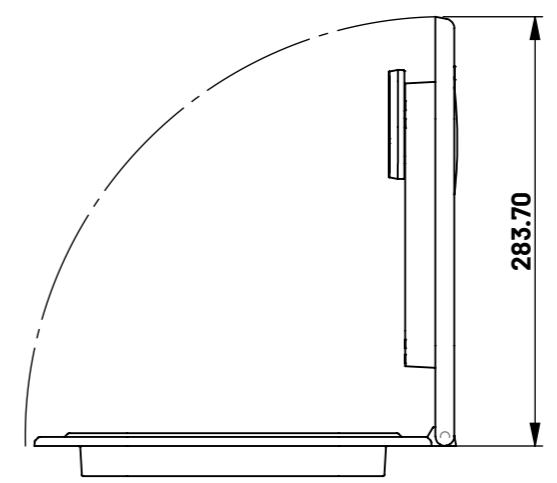
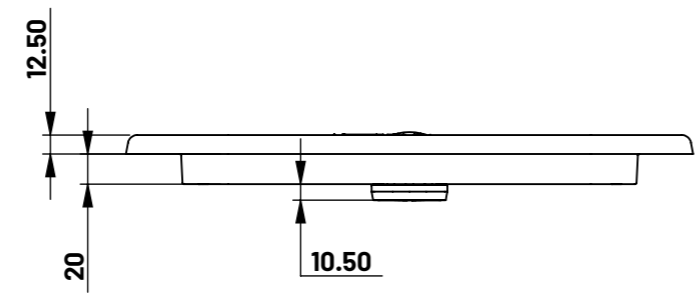
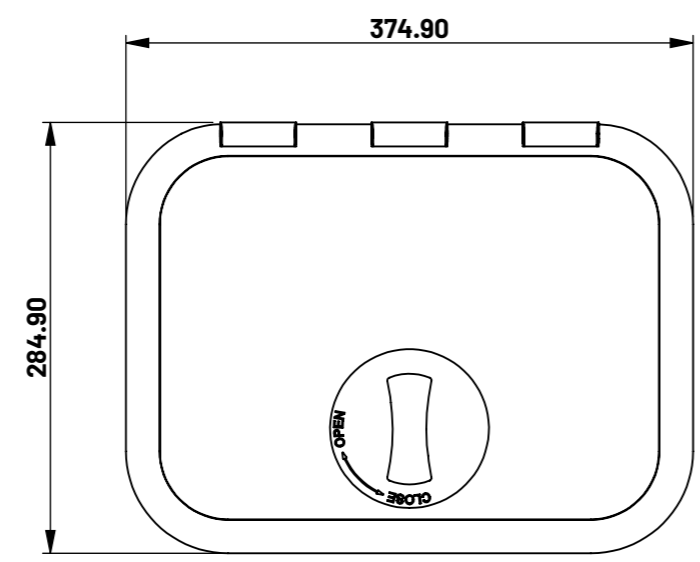
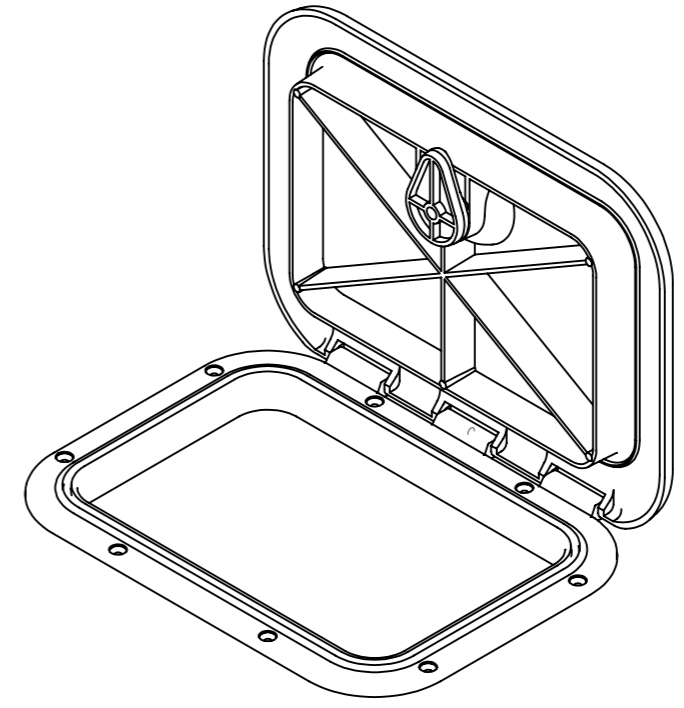
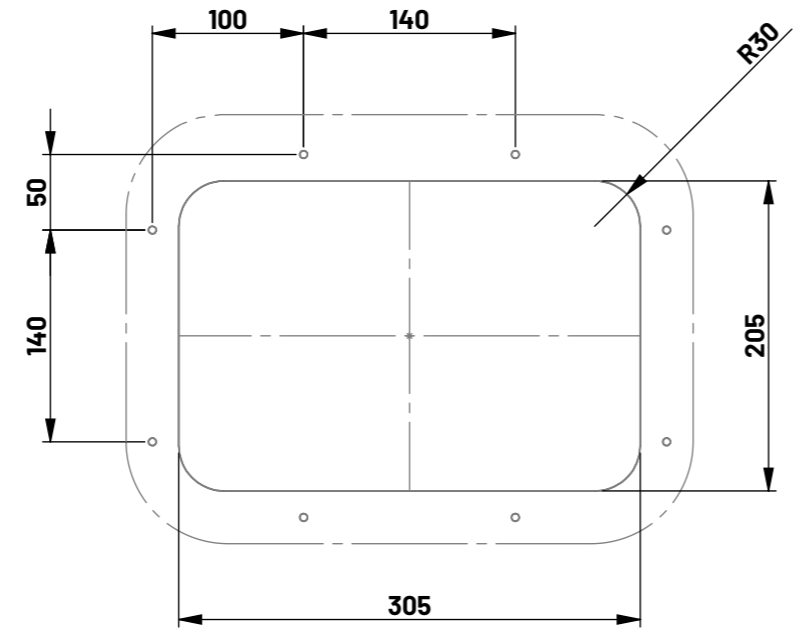
| REVISION | NOTES | DATE |
|----------|-------|------|
| | | |
| | | |
| | | |

FINISH: n/a
DENSITY: n/ag/mm³
WEIGHT: n/ag

| TITLE / PART NUMBER: | | | | |
|------------------------|--------|--------|---------------|------------|
| SOP002 - Hatch Drawing | | | | |
| Medium | | | | |
| REVISION: | SHEET: | SCALE: | SIZE: | DATE: |
| A | 2 OF 3 | 1:5 | A3 | 14/11/2019 |
| DRAWN BY: BLENDER | | | APPROVED: n/a | |



RECOMMENDED CUTOUT



Sopac Marine Ltd.

Copyright © 2019 Sopac Marine Ltd. Information contained in this drawing may not be reproduced or used for any purpose without express written permission from Sopac Marine.
www.sopac.co.nz | info@sopac.co.nz | 41c William Pickering Drive, Albany, Auckland, New Zealand

DIMENSIONS ARE IN: mm
TOLERANCES:
Angular: +/- 0.5
One Place Decimal: +/- 0.100
Two Place Decimal: +/- 0.050
Three Place Decimal: +/- 0.025

MATERIAL: n/a
VOLUME: n/amm³

| REVISION | NOTES | DATE |
|----------|-------|------|
| | | |
| | | |
| | | |

FINISH: n/a

DENSITY: n/ag/mm³

TITLE / PART NUMBER:
SOP002 - Hatch Drawing

Small

| REVISION: | SHEET: | SCALE: | SIZE: | DATE: |
|-----------|---------------|------------|-----------|-------------------|
| A | 3 of 3 | 1:5 | A3 | 14/11/2019 |

DRAWN BY: BLENDER

APPROVED: n/a

WEIGHT: n/ag