

FREEMAN MARINE double-skin panel construction offers simplicity yet broad flexibility for configuring doors to specific needs. Doors have .080" mill finished aluminum skins captured in an extruded aluminum panel framework, clamp grip style windows with 3/16" clear glass, and marine grade lever handle locksets. The outer skin is trapped by the door panel extrusion, and the inner skin is riveted. Solidly constructed and fully insulated, Standard Duty doors are suitable for the following typical high traffic access installations:

- Pilothouse • Galley • Engine Room
- Salon • Main Deck • Storage



Shown are several available custom window options for Standard Duty doors.

### STANDARD DUTY DESIGN FEATURES

- Custom Sizing, width and height
- .080" Aluminum Panel Skins, outside and inside
- Welded Panel Frame for Strength
- Outer Skin Captured in Frame Extrusion, Riveted Inner Skin
- Gasket on Door Panel for Long Life and Positive Sealing
- Radius or Mitered Corners
- Bolt-in, Weld-in or Clamp-in Frames
- Welded Internal Doublers at All Seams
- Mill Finish Aluminum Door Skins
- Stainless Steel Dog Shafts
- Cast Aluminum Dogging Handles, powder coated finish
- Stainless Steel Dog Shafts
- Glass Filled Striker Wedges
- Solid Polyurethane Insulation
- Stainless Steel Hinges, butt style only
- Stainless Steel Fasteners
- Clamp-Grip Window, 3/16" or 1/4" Clear Tempered Glass, (opt avail)

Where suitable, doors can be designated to include additional windows and/or dogs or omit windows and/or dogs. Pilothouse doors are often provided with windows in both top and bottom of the panel to allow greater operator visibility to deck or waterline areas.





Two dogs,  
Lockset,  
No window

Flush dog,  
Painted

One dog,  
No lockset,  
No window



Six dog,  
No lockset,  
No window,  
Flat bar,  
Steel coaming



Mobile shelter,  
Inside view



Mobile shelter,  
Outside view



Two dogs,  
Lockset,  
12" view port,  
Painted

Two dogs,  
Lockset,  
Upper and lower windows

Two dogs,  
Lockset,  
Large 3'x4' window



Steel coaming,  
Mitered corners,  
Two dogs, lockset,  
Upper half large window



Push button lock,  
Lever and key pass



Shelter door,  
Combination lock



Dog handle, Inside with tang



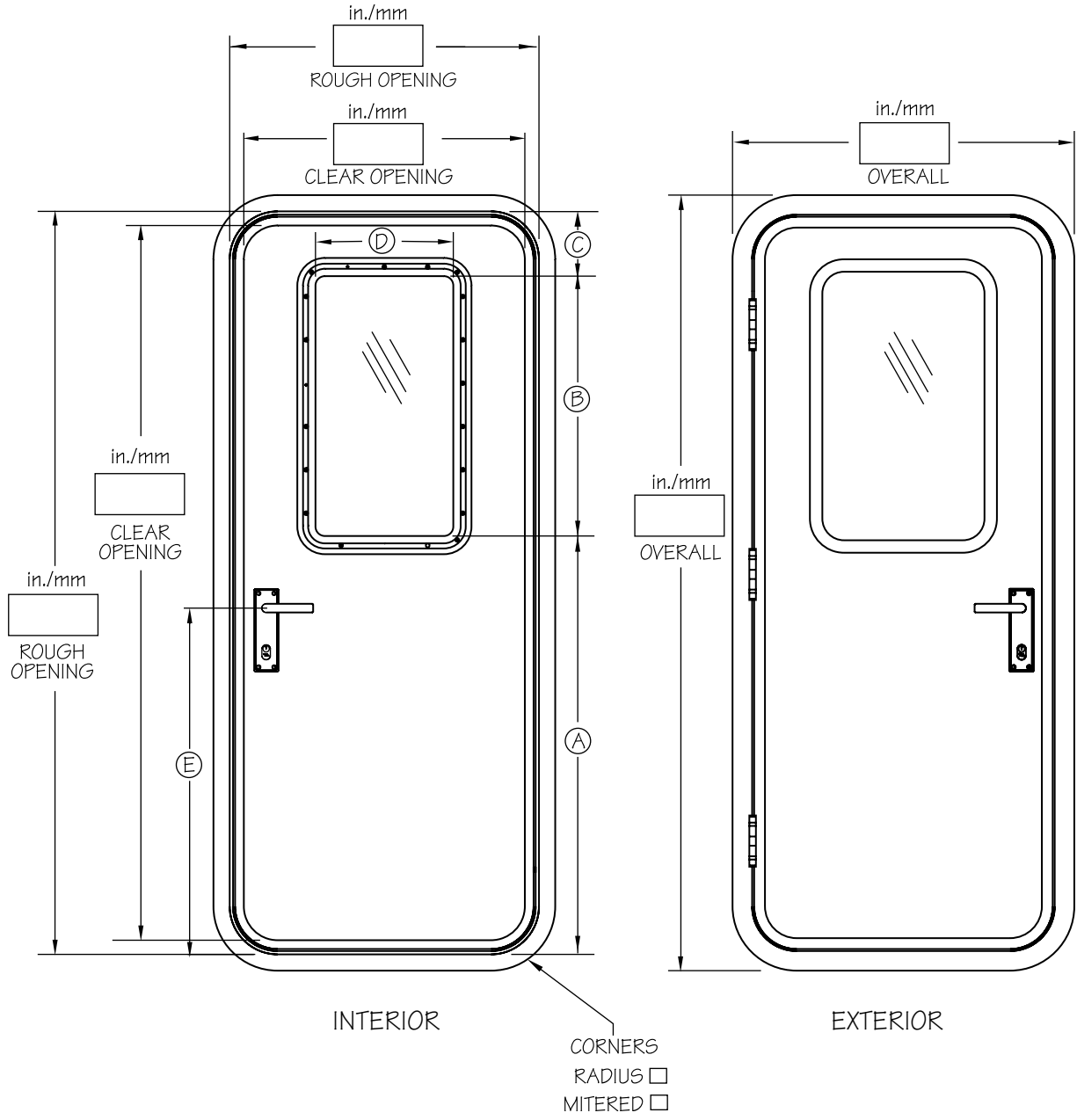
Butt hinge with Delrin® bearings



Inside dog, left;  
Outside dog, right

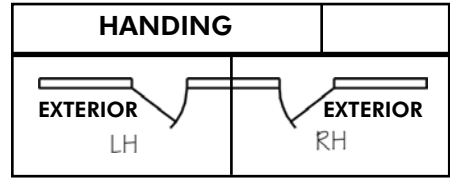


Gasket on panel,  
Adjustable sealing stop



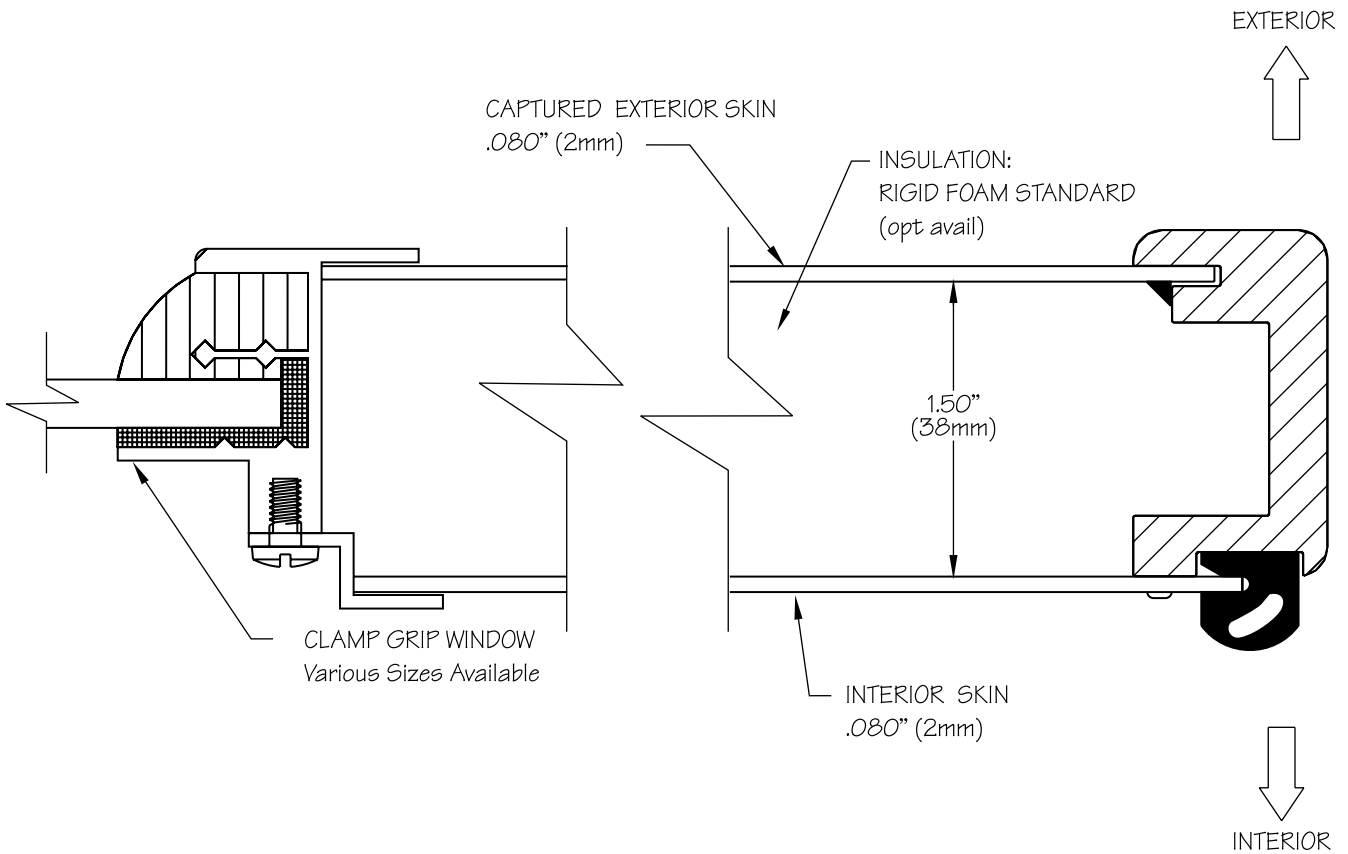
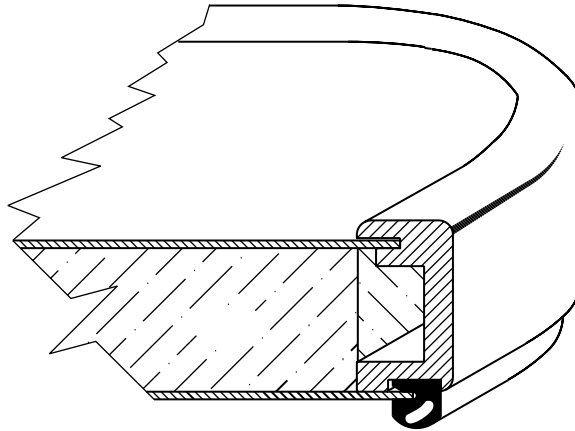
LAYOUT MODEL 1110

inches		mm	Dimensions For Options
A			Bottom of Clear Glass to Bottom Rough Opening
B			Clear Glass Height
C			Top of Clear Glass to Top of Rough Opening, min 7"
D			Clear Glass Width, min side clearance 6"
E			Handle/Lockset - C/L to Bottom Rough Opening



<b>Scale</b>	None
--------------	------

© ALL RIGHTS RESERVED  
 2010 FREEMAN MARINE EQUIPMENT, INC.  
 SPECIFICATIONS SUBJECT TO CHANGE WITHOUT NOTICE

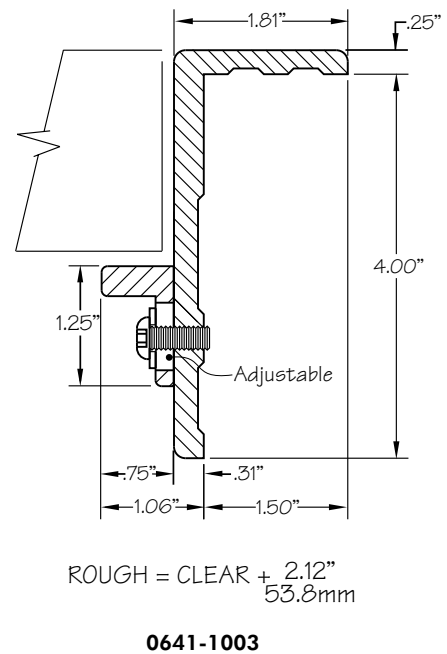
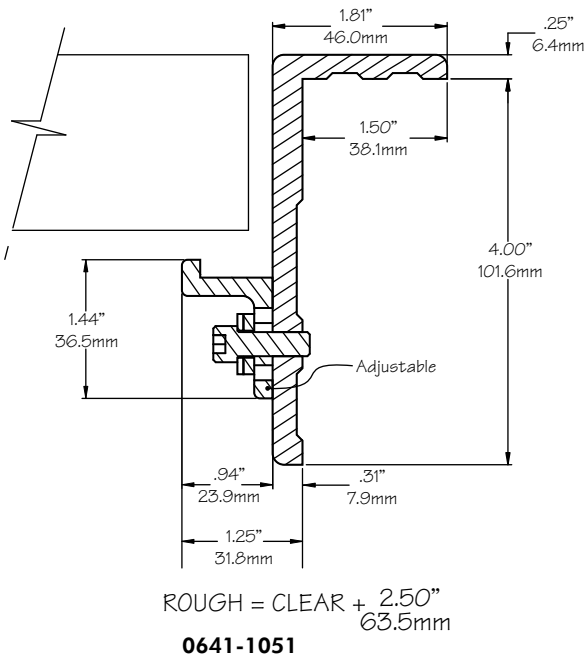
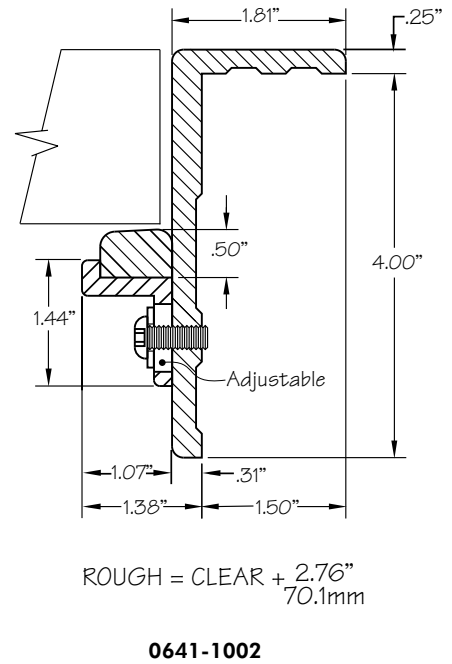
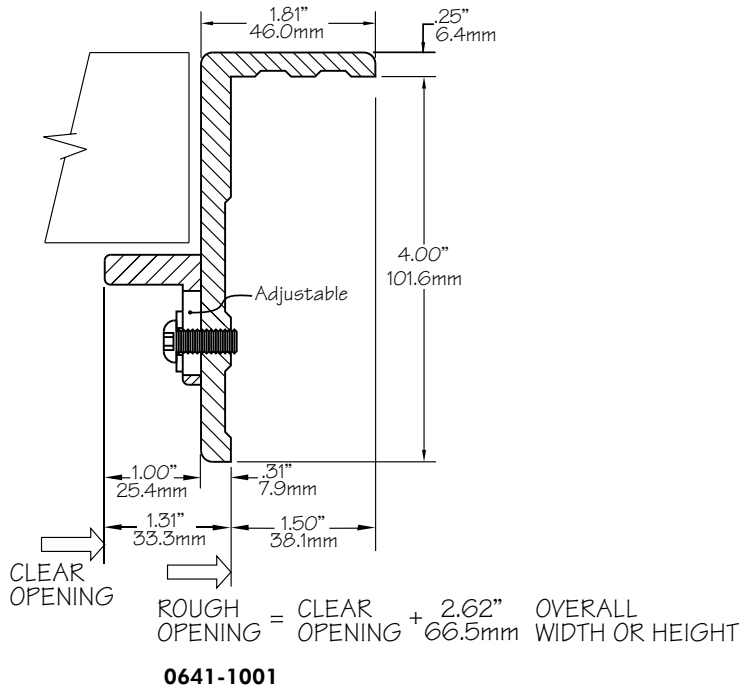


**PANEL**

<b>Sealing Performance</b>	Weather Tight		
<b>Availability</b>	1110 Single	1510 Dutch	1610 French

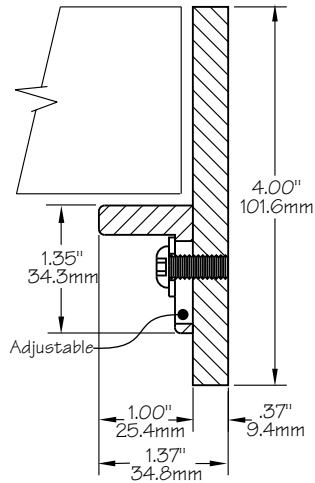
Degree of watertightness depends on panel and coaming construction, number of dogs, proper installation and sealing adjustment. Closures are individually defined, specified and fabricated for each application.

© ALL RIGHTS RESERVED  
2010 FREEMAN MARINE EQUIPMENT, INC.  
SPECIFICATIONS SUBJECT TO CHANGE WITHOUT NOTICE

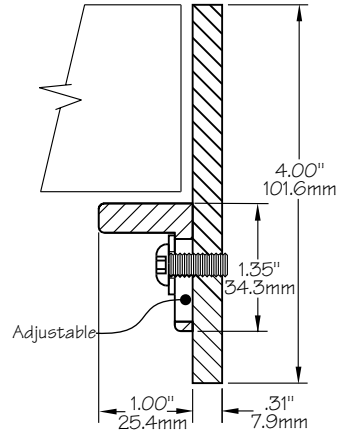


Coaming Assembly No.	0641-1001	0641-1002	0641-1003	0641-1051	Degree of watertightness depends on panel and coaming construction, number of dogs, proper installation and sealing adjustment. Closures are individually defined, specified and fabricated for each application.  © ALL RIGHTS RESERVED 2010 FREEMAN MARINE EQUIPMENT, INC. SPECIFICATIONS SUBJECT TO CHANGE WITHOUT NOTICE
Gasket Seal Stop Type	1" Wide Flat	Gasket in Coaming	3/4" Wide Flat	Gasket in Coaming	
Coaming Material	Aluminum				
Coaming Configuration	Extrusion w/ Flange				
Corner Radius - Rough	4.1" / 104mm				
<b>Stop Type / Material Adjustable / Aluminum</b>					

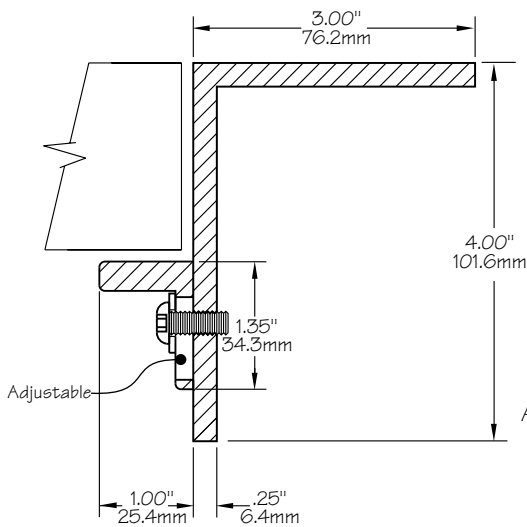
**COAMING**



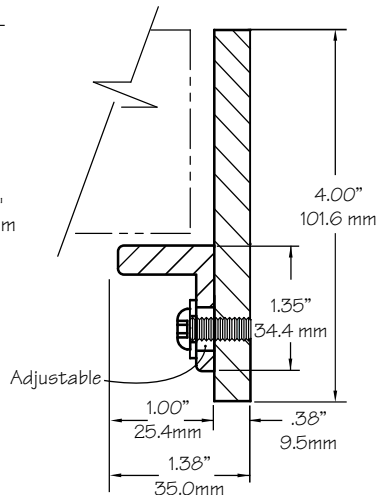
Aluminum - Flat Bar, 4.00" x .37", No Flange  
 Stop - Adjustable, 1.00" wide  
**0641-1004**



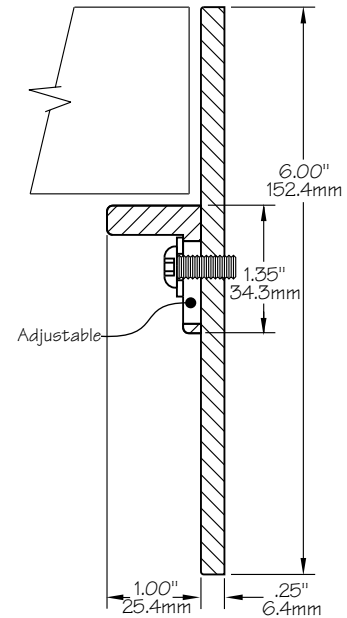
Steel - Flat Bar, 4.00" x .31", No Flange  
 Stop - Adjustable, 1.00" wide  
**0641-1028**



Steel - Angle, 4.00" x 3.00" x .25",  
 Stop - Adjustable, 1.00" wide  
**0641-1031**



Stainless Steel - Flat Bar 4.00" x 3/8"  
 Stop - Adjustable, 1.00" wide - Aluminum  
**0641-1046**

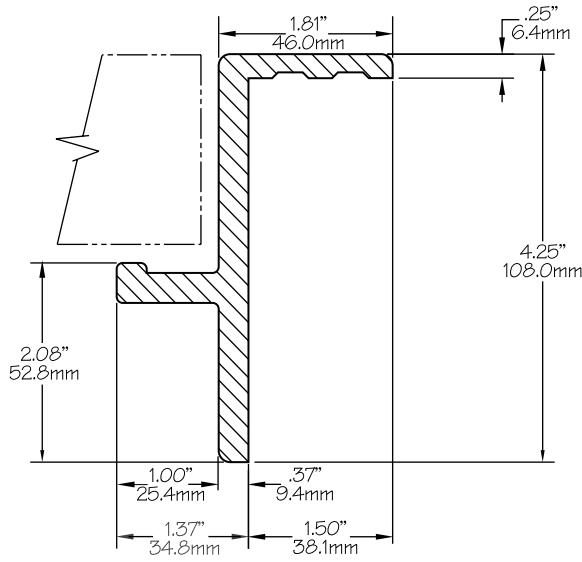


Stainless Steel - Flat Bar 6.00" X .25",  
 Stop, Adjustable - 1.00" wide - Aluminum  
**0641-1022**

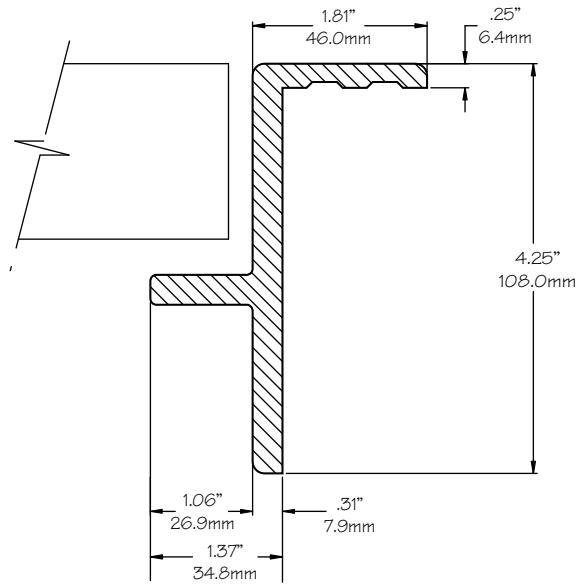
**COAMING**

Degree of watertightness depends on panel and coaming construction, number of dogs, proper installation and sealing adjustment. Closures are individually defined, specified and fabricated for each application.

© ALL RIGHTS RESERVED  
 2010 FREEMAN MARINE EQUIPMENT, INC.  
 SPECIFICATIONS SUBJECT TO CHANGE WITHOUT NOTICE



Aluminum - Angle Extrusion, 4.25" x 1.81", Flange  
Stop - Fixed  
**0641-1007**

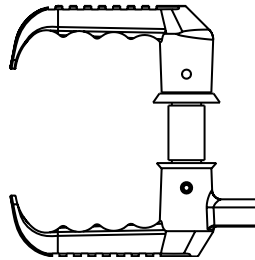
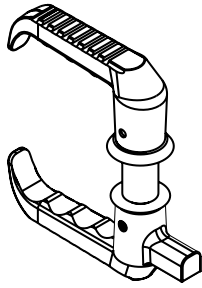


Aluminum - Angle Extrusion, 4.25" x 1.81", Flange  
Stop - Fixed  
**0641-1050**

**COAMING**

Degree of watertightness depends on panel and coaming construction, number of dogs, proper installation and sealing adjustment. Closures are individually defined, specified and fabricated for each application.

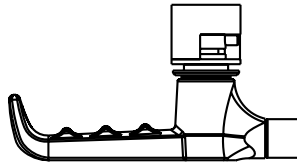
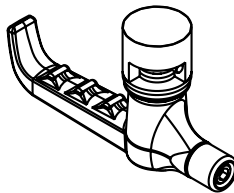
© ALL RIGHTS RESERVED  
2010 FREEMAN MARINE EQUIPMENT, INC.  
SPECIFICATIONS SUBJECT TO CHANGE WITHOUT NOTICE



**NO BEARING**

**Available on Door:** 1110  
1120  
1130  
1510  
1520  
1610  
1620

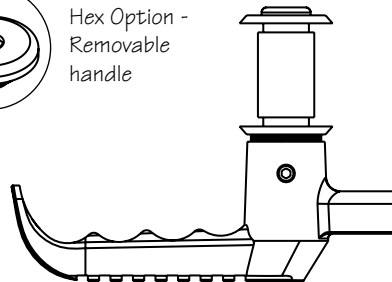
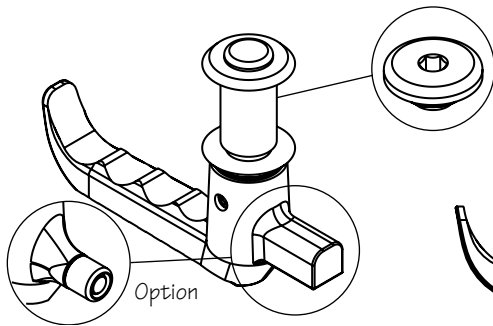
**Handle Material:** Aluminum  
Stainless Steel  
**Shaft:** Stainless Steel



**INSIDE DOG ONLY, NO BEARING**  
*no outside dog*

**Available on Door:** 1120  
1130  
1520  
1620

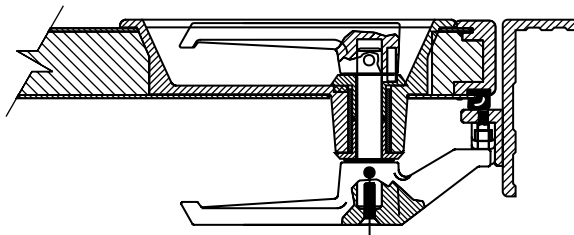
**Handle Material:** Aluminum  
Stainless Steel  
**Shaft:** Stainless Steel



**INSIDE DOG ONLY, NO BEARING**  
*no outside dog - outside spindle head visible*

**Available on Door:** 1120  
1130  
1510  
1520  
1610  
1620

**Handle Material:** Aluminum  
Stainless Steel  
**Shaft:** Stainless Steel



**FLUSH, NO BEARING**  
*outside and inside*

**Available on Door:** 1110  
1120  
1130  
1510  
1520  
1610  
1620

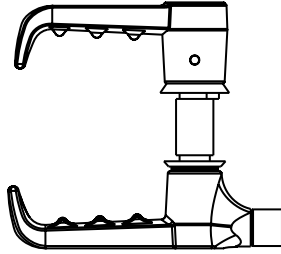
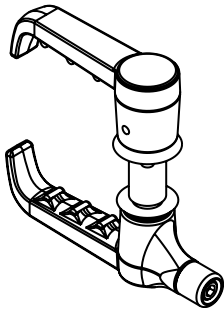
**Handle Material:** Aluminum  
**Shaft:** Stainless Steel

**Scale** None

© ALL RIGHTS RESERVED  
2010 FREEMAN MARINE EQUIPMENT, INC.  
SPECIFICATIONS SUBJECT TO CHANGE WITHOUT NOTICE

**HANDLES**

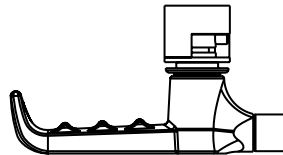
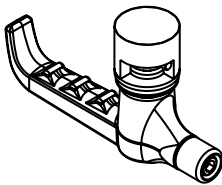




**CAM FOLLOWER**

**Available on Door:** 1110  
1120  
1130  
1510  
1520  
1610  
1620

**Handle Material:** Aluminum  
**Shaft:** Stainless Steel

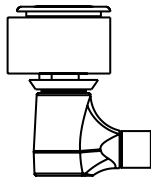
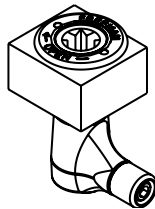


**INSIDE DOG ONLY, CAM FOLLOWER**

*no outside dog*

**Available on Door:** 1120  
1130  
1520  
1620

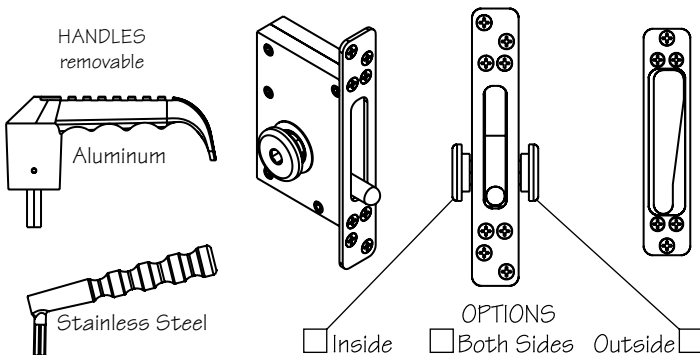
**Handle Material:** Aluminum  
**Shaft:** Stainless Steel



**BI-SQUARE OUTSIDE / DOG INSIDE, CAM FOLLOWER**

**Available on Door:** 1120  
1130  
1520  
1620

**Handle Material:** Aluminum  
Stainless Steel  
**Shaft:** Stainless Steel



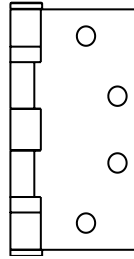
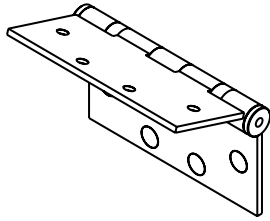
**CONCEALED, EDGE-OF-PANEL**

**Available on Door:** 1120  
1520  
1620

**Concealed Handle Material:** Stainless Steel  
**Handle Material:** Aluminum  
Stainless Steel  
**Shaft:** Stainless Steel

**Scale** None

© ALL RIGHTS RESERVED  
2010 FREEMAN MARINE EQUIPMENT, INC.  
SPECIFICATIONS SUBJECT TO CHANGE WITHOUT NOTICE



**BUTT HINGE**  
adjustable stop coamings  
4.5" x 4.5", 6.0" x 4.5", 8.0" x 6.0"

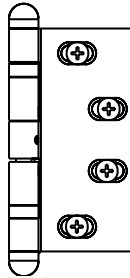
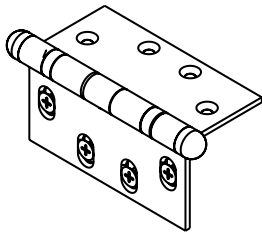
**Available on Door:** 1110  
1120  
1420  
1510  
1520  
1610  
1620

**Finishes Available:** Polished  
Satin

**Material:** Stainless Steel

**Attachment:** Bolt-on

(1X10 series requires butt hinge)



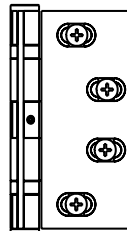
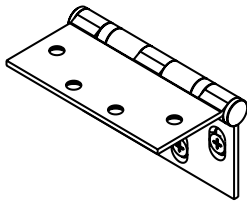
**BUTT HINGE, WITH DOME PIN**  
fixed or adjustable stop coamings  
4.5" x 4.5"

**Available on Door:** 1120  
1420  
1520  
1620

**Finishes Available:** Polished

**Material:** Stainless Steel

**Attachment:** Bolt-on



**BUTT HINGE**  
fixed stop or adjustable stop coamings  
4.5" x 4.5"

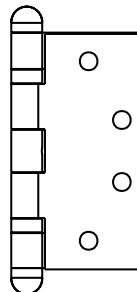
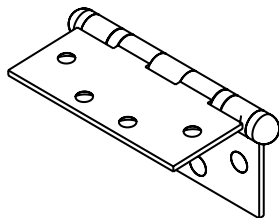
**Available on Door:** 1110  
1120  
1420  
1510  
1520  
1610  
1620

**Finishes Available:** Polished  
Satin

**Material:** Stainless Steel

**Attachment:** Bolt-on

(1X10 series requires butt hinge)



**BUTT HINGE, WITH DOME PIN**  
adjustable stop coamings  
4.5" x 4.5", 6.0" x 4.5", 8.0" x 6.0"

**Available on Door:** 1120  
1420  
1520  
1620

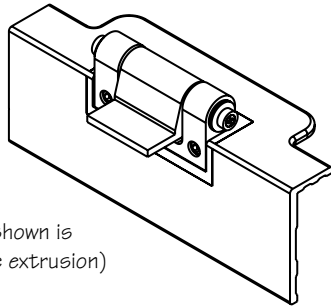
**Finishes Available:** Polished

**Material:** Stainless Steel

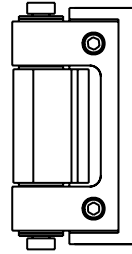
**Attachment:** Bolt-on

**Scale** None

© ALL RIGHTS RESERVED  
2010 FREEMAN MARINE EQUIPMENT, INC.  
SPECIFICATIONS SUBJECT TO CHANGE WITHOUT NOTICE



(Hinge shown is in flange extrusion)



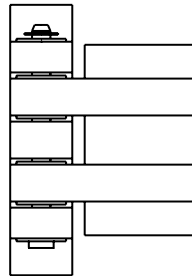
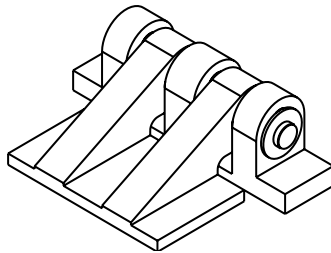
**FLUSH HINGE**

**Available on Door:** 1120  
1130  
1420  
1430  
1432  
1520  
1620

**Finishes Available:** Painted  
Vibratory

**Material:** Aluminum

**Attachment:** Weld-on



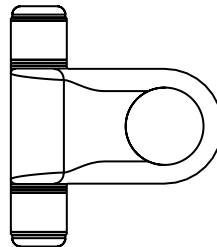
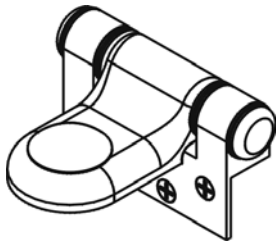
**BLADE HINGE**

**Available on Door:** 1120  
1130  
1420  
1430  
1432  
1520  
1620

**Finishes Available:** Painted  
Vibratory

**Material:** Aluminum

**Attachment:** Weld-on  
Bolt-to-coaming



**EURO HINGE**

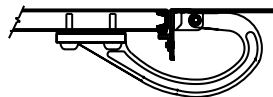
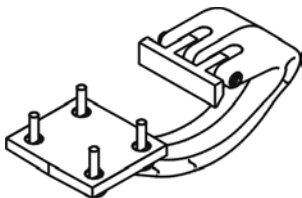
**Available on Door:** 1120  
1130  
1420  
1430  
1432  
1520  
1620

**Finishes Available:** Painted  
Vibratory

**Material:** Aluminum

**Attachment:** Bolt-on

NOTE: Yoke hinges remain in clear opening space even though door panel swings completely out of opening. Maximum opening 97°.



**YOKE HINGE (Concealed)**

universal, with rubber bumpers

**Available on Door:** 1120  
1130  
1420  
1430  
1432  
1620

**Finishes Available:** Polished  
Painted  
Vibratory

**Material:** Aluminum

**Attachment:** Bolt-on

**Scale** None

© ALL RIGHTS RESERVED  
2010 FREEMAN MARINE EQUIPMENT, INC.  
SPECIFICATIONS SUBJECT TO CHANGE WITHOUT NOTICE