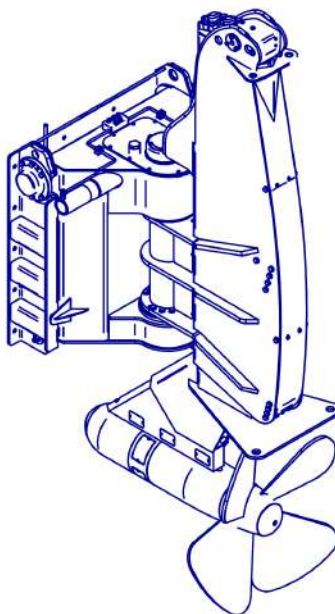




## LIFTABLE RUDDER PROPELLER TYPE 3400



| CHARACTERISTICS                | HD               | LD               | OPTIONS   |
|--------------------------------|------------------|------------------|---|
| Maximum absorbed power / RPM   | 323kW / 1800 rpm | 449kW / 1800 rpm | Hydraulic tilting<br>Steering indicator<br>Lifting indicator<br>Tilting indicator<br>Nozzle |
| Maximum HP pressure            | 300 bar          | 300 bar          |   |
| Steering angle                 | +/- 90°          | +/- 90°          |   |
| Vertical lifting stroke        | 1300mm           | 1300mm           |   |
| Tilting angle                  | 50°              | 50°              |   |
| Weight                         | 2850 kg          | 2850 kg          |   |
| Maximum pressure on drain port | 2 bar            | 2 bar            |   |
| Maximum auxiliary pressure     | 180 bar          | 180 bar          |   |
| Propulsive propeller diameter  | around 1200mm    | around 1100mm    |   |
| Number of blades               | 4                | 4                |   |
| HP Port                        | 2 x SAE 2" 6000  | 2 x SAE 2" 6000  |   |
| Drain port                     | 1 x MJIC 1"5/16  | 1 x MJIC 1"5/16  |   |
| Auxiliary port                 | 7 x MJIC 9/16    | 7 x MJIC 9/16    |   |

Type Approval certification by Bureau Veritas

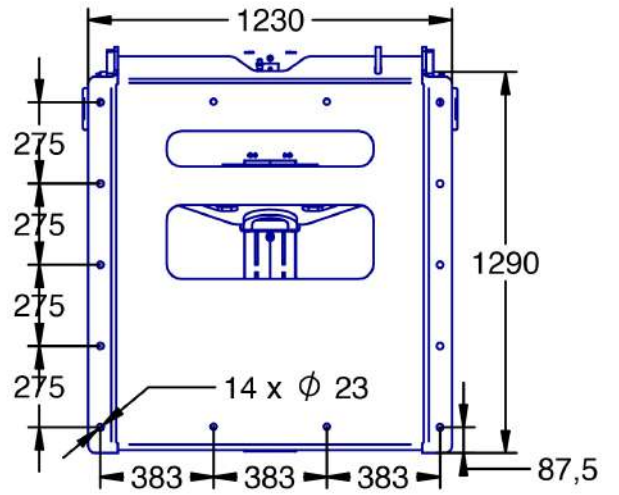
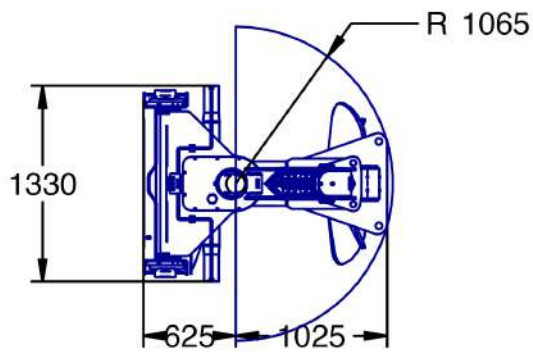
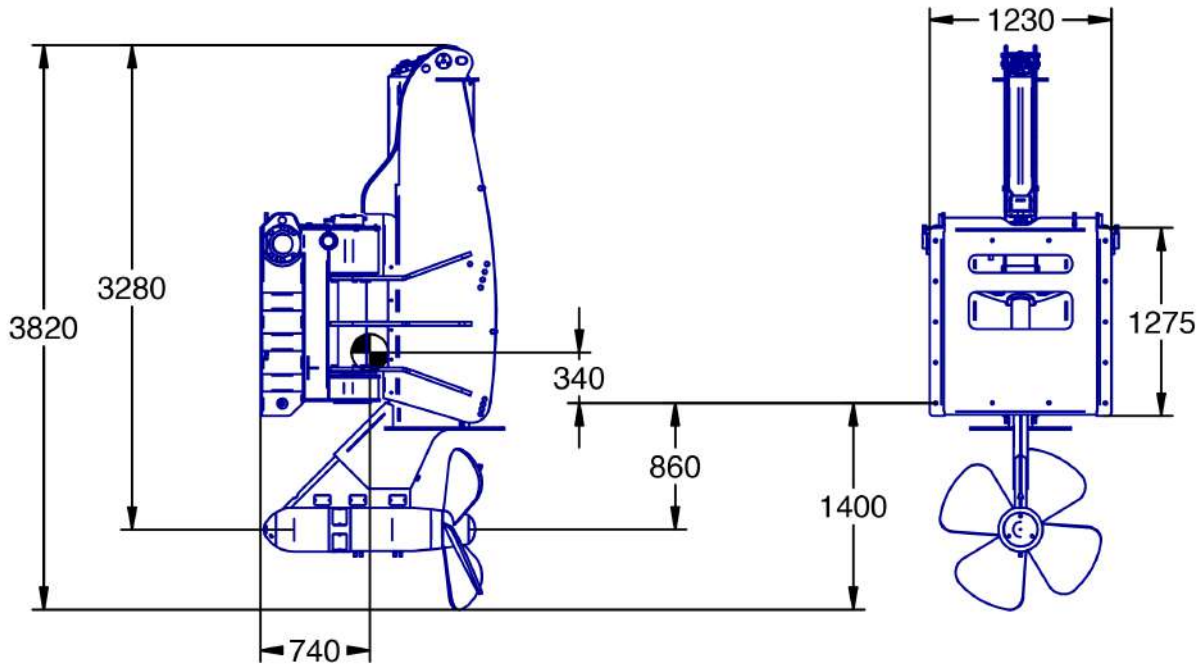


**IMPORTANT** : Pipes cleanliness should be Class 7 to 8 according to NAS 1638

**Document N° ER110N3-20**

This document is HYDRO ARMOR property. It can't be reproduced or transmitted. It is given at information title and can be modify

**HYDRO-ARMOR - Z.A. du Rohou - 29252 PLOUEZOCH - FRANCE**  
**Tél: +33.(0)2.98.67.28.61-Fax: +33.(0)2.98.67.29.23 E-Mail : contact@hydro-armor.fr**



**IMPLANTATION**

