

FREEMAN MARINE Quick-Acting, custom fabricated cockpit hatches offer a wide range of options to meet customer specifications. Patented chain-drive dogging allows multiple dogs (up to 8 per circuit) to be actuated by a single bi-square or interior handle. Dogs feature roller bearing cam followers for easy closure. External bi-squares may be ordered for exterior dogging. Custom shapes and sizes may be ordered with either flush or proud coamings. Camber and sheer requirements to match deck profiles are routinely crafted. Hatches can be specified with either surface or concealed hinges. Panels and coamings can be specified with custom alignment for teak overlaying by installation yard or builder.

PREMIUM DUTY, QUICK-ACTING HATCH DESIGN FEATURES

- Patented Chain Drive Quick-acting Dogging
- Custom Shapes and Sizes
- Camber and Sheer to Match Decks (avail)
- .160"~.250" Thick Aluminum Panel Skins
- Welded Frame and Skin Construction
- Knife-edge Sealing Method
- Wide Gasket for Aggressive, Tight Sealing
- Flush with Deck or Raised Coamings
- Bolt-in and Weld-in Coamings
- Cast, Precision Machined Handles, wide selection of styles and finishes
- Surface or Concealed Hinges
- Gas Spring Assist for Easy Lift and Closure
- Custom Drain Locations
- Teak Overlay Prep (avail)
- Internal Panel Stiffeners
- Yacht-quality Painted Finish
- External Bi-square Opening (avail)
- Stainless Steel Shafts and Fasteners
- Cast Dogs with Roller Bearing Cam Followers
- Glass Filled Striker Wedges
- Solid Insulation Standard (opt materials)



Yoke hinges (shown with optional polished finish) are utilized on this cambered sailing yacht hatch. When closed, only external bi-squares and optional lifting ring hardware are visible on deck.



Shown in the open position, polished hardware and gas springs make this hatch an attractive addition to the aft cockpit.

This 3430 custom deck hatch features stainless flush deck hinges and bi-square matched to teak deck height for a smooth, attractive deck appearance.

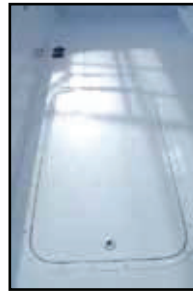




Surface hinges,
Lever handle, Forepeak
access, Open



Crew access, Raised
Stainless coaming,
Large glass inset



Installed in
fiberglass
Sport deck,
Hinged short side,
Closed



Round hatch,
Yoke hinge



Custom shaped and
cambered, Hardware
raised for teak overlay



Custom shaped and
cambered, Open



Glass inset panel,
Stainless raised
coaming, Bi-square
and D-handle



Bi-square opening,
D-handle for lifting



Surface hinges,
Polished hardware,
Installed, Interior view

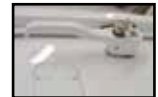


Two panel,
Deck crane hatch

Polished dog with
roller bearing cam
follower



Dog handle,
Lever with return
and lock button,
Inspection plate for
chain drive



Bi-square,
Raised for teak
overlay,



D-handle lift ring,
Bi-square,
Both raised for
teak overlay



Grab handle



Drain side,
3000 Series
hatch



Drain bottom,
3000 Series
hatch



Drain side,
Screw-in stainless
barbed fitting,
3000 Series
hatch





Yoke hinges,
Gas spring Mounted on
Hinges for teak kickup,
Skirted coaming for thick
overlay



Deep gutter, Gas springs
on coaming, Closed

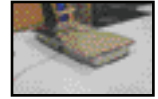


Deep gutter,
Gas spring in gutter

Large yoke hinges,
Polished



Stainless
Surface hinge,
Raised mounting
for teak overlay



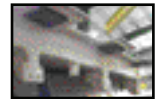
Large yoke hinges,
Polished,
Stainless coaming



Steel knife-edge gutter,
Gas spring mount,
Flange surface hinges



Gas spring coaming
brackets, Mounting pads
for bolting to structure



Deep gutter,
Gas springs
on coaming,
Full panel,
Dogged lever
handle



Deep gutter,
Gas springs on
coaming, Small
lens inset, Low
profile lever
handle

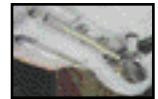


Deep gutter,
Yoke hinges,
Gas springs on
coaming (note
2400 Series
hatch below
deck)

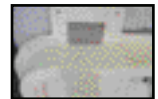


Surface hinges,
Lever handle,
Grab handle,
Gas springs on
coaming

Small yoke hinge,
Gas spring for teak
overlay kickup



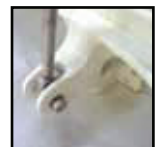
Aluminum deep gutter
coaming, Doubler for
surface hinge,
Gas spring mounting plate



Gas spring,
Mounted on coaming
and panel



Coaming
mount for
gas spring



Four yoke hinges,
Gas spring mounted
on coaming and hinge,
Open



Four yoke hinges,
Gas spring mounted
on coaming and hinge,
Closed

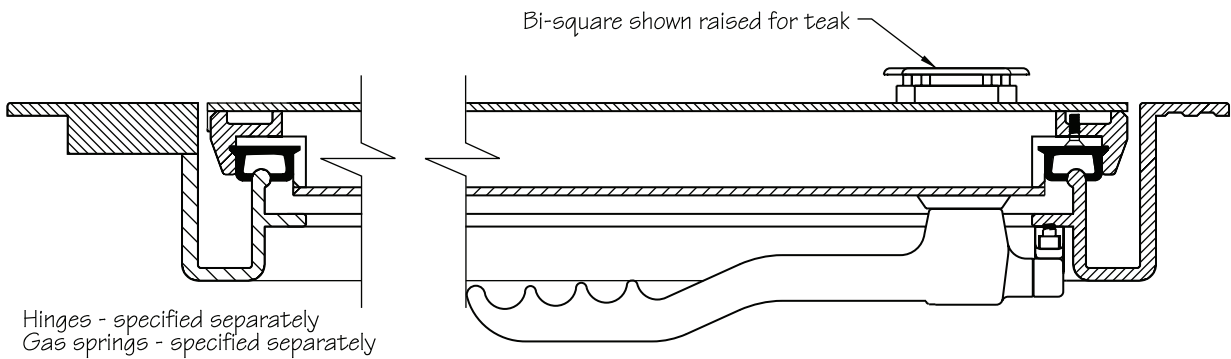
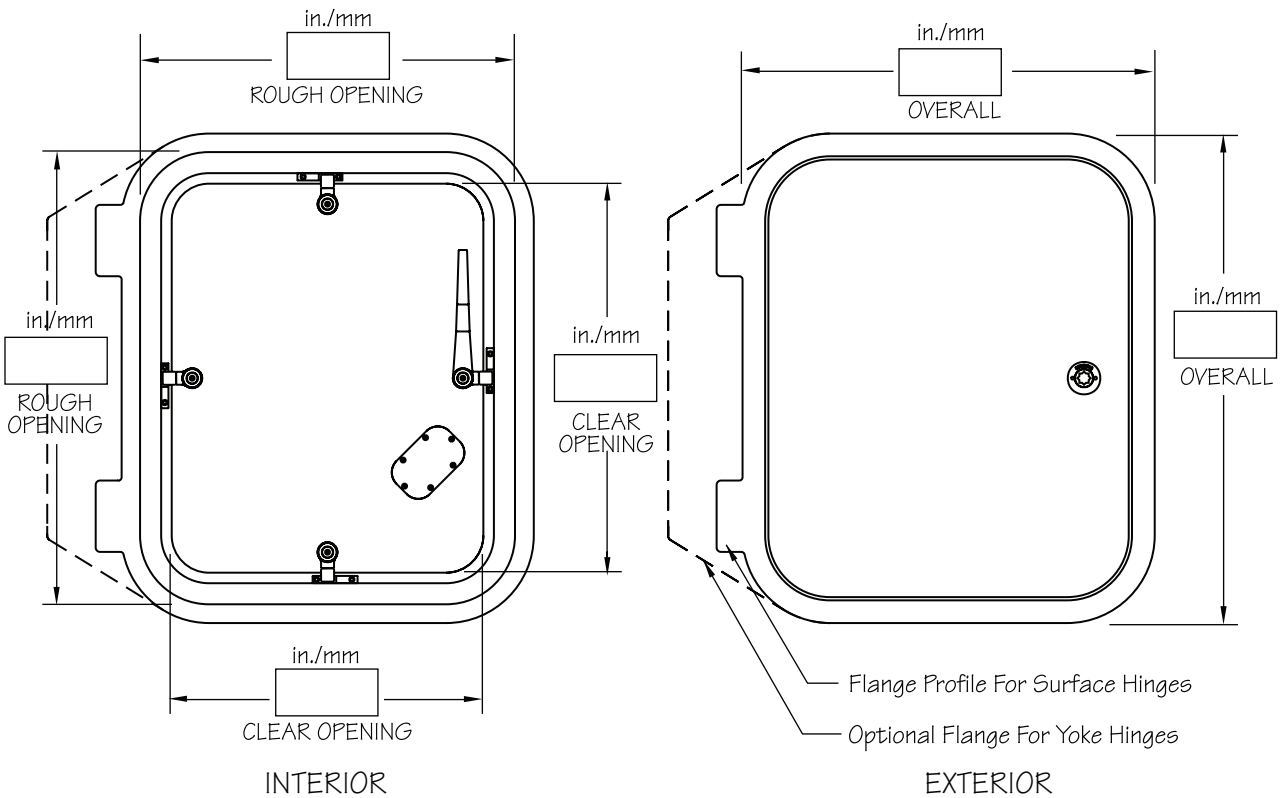
Yoke hinges,
Hold open,
Gas spring mounted
on coaming,
Chain inspection plate,
Polished dogs



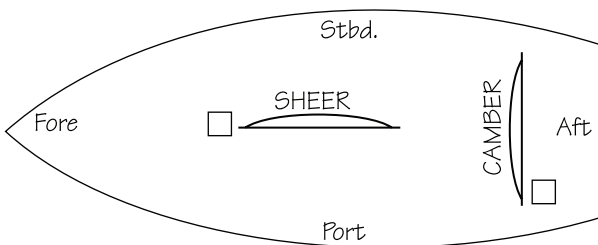
Yoke hinges,
Bi-square raised for teak overlay



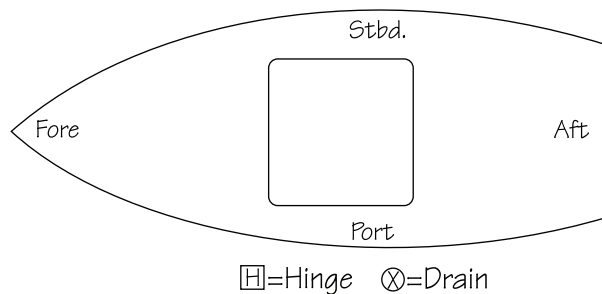
Yoke hinges, Open



CAMBER and SHEER DIRECTION



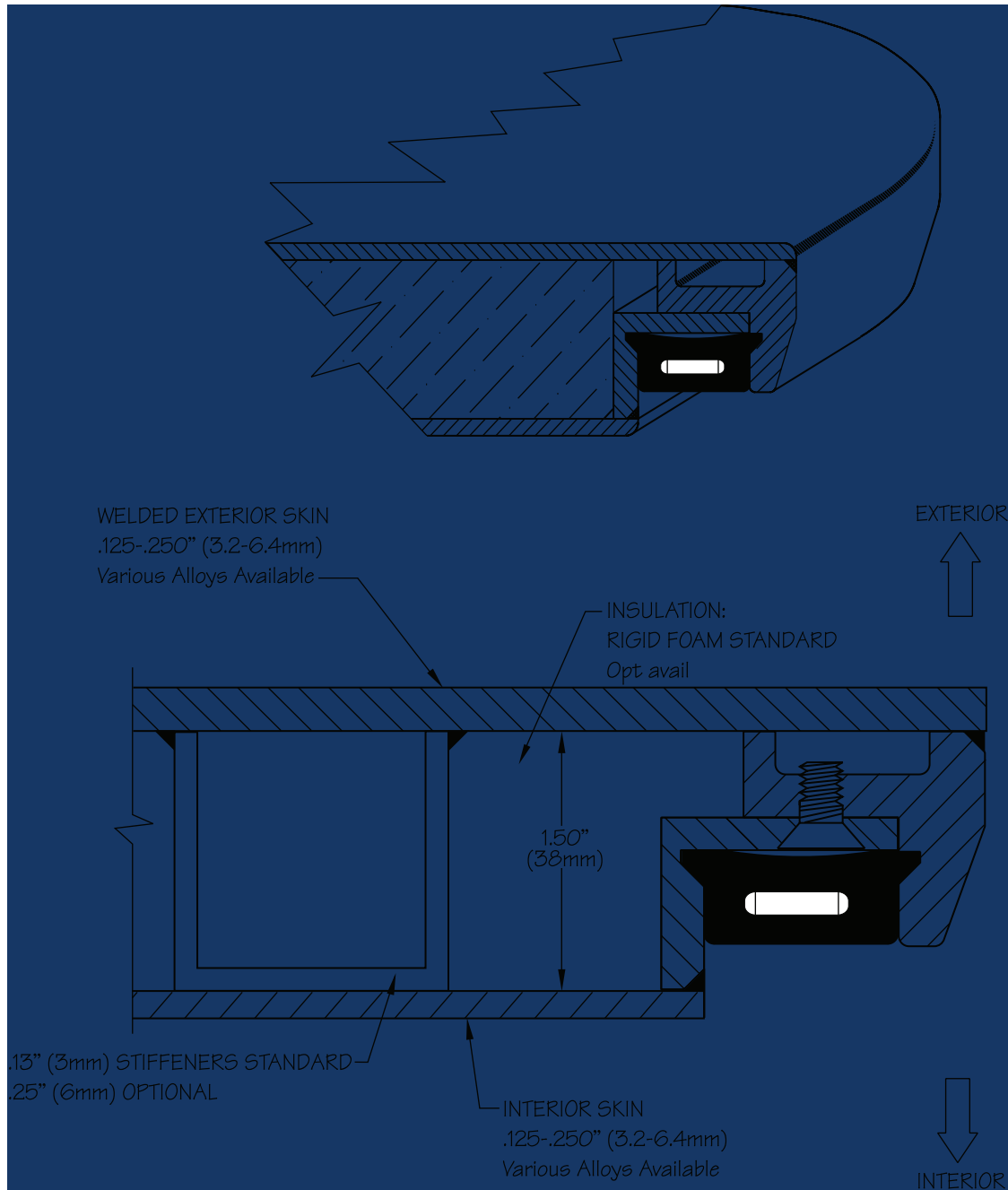
HINGE and DRAIN LOCATION



| | |
|---------------|-----------|
| Scale | None |
| Hinge | Yoke |
| Handle | Bi-square |

Note: Hatch shown with 0641-1014 coaming

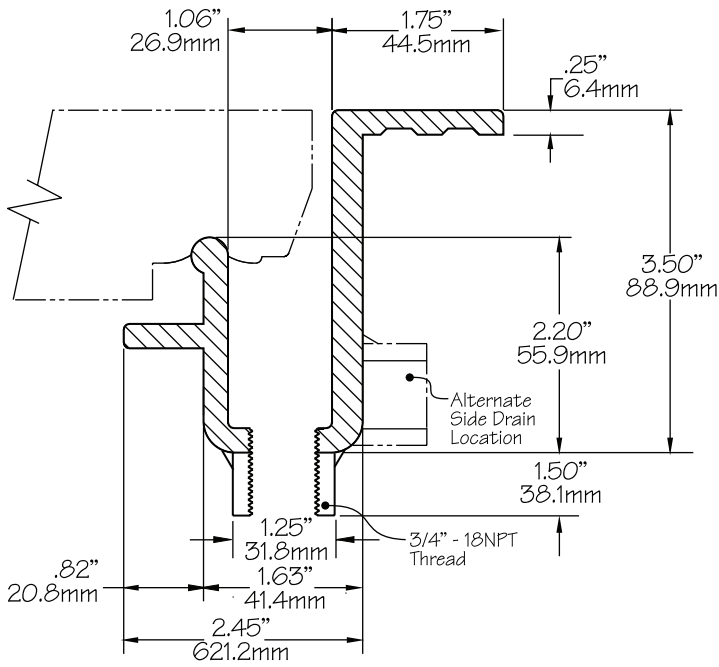
© ALL RIGHTS RESERVED
2010 FREEMAN MARINE EQUIPMENT, INC.
SPECIFICATIONS SUBJECT TO CHANGE WITHOUT NOTICE



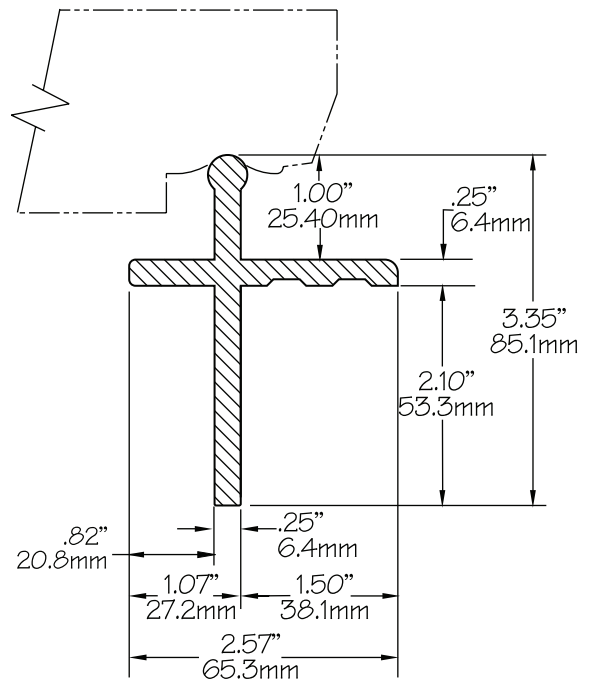
PANEL

| | | |
|---|-----------------|-------------------|
| Sealing Performance | Watertight | |
| Availability | 3130 Individual | 3430 Quick-Acting |
| Degree of watertightness depends on panel and coaming construction, number of dogs, proper installation and sealing adjustment. Closures are individually defined, specified and fabricated for each application. | | |

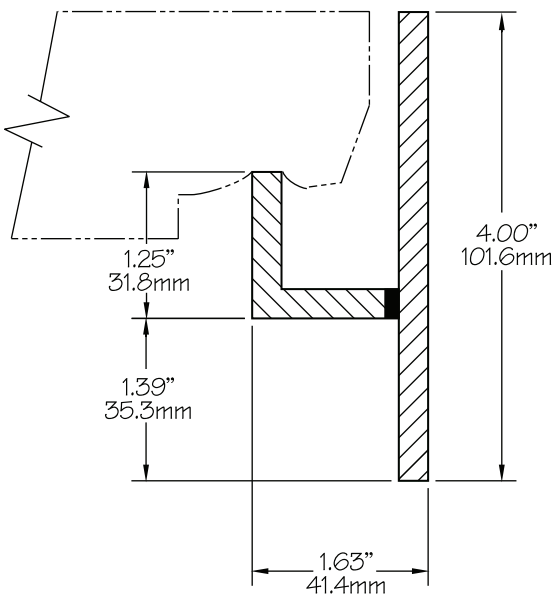
© ALL RIGHTS RESERVED
2010 FREEMAN MARINE EQUIPMENT, INC.
SPECIFICATIONS SUBJECT TO CHANGE WITHOUT NOTICE



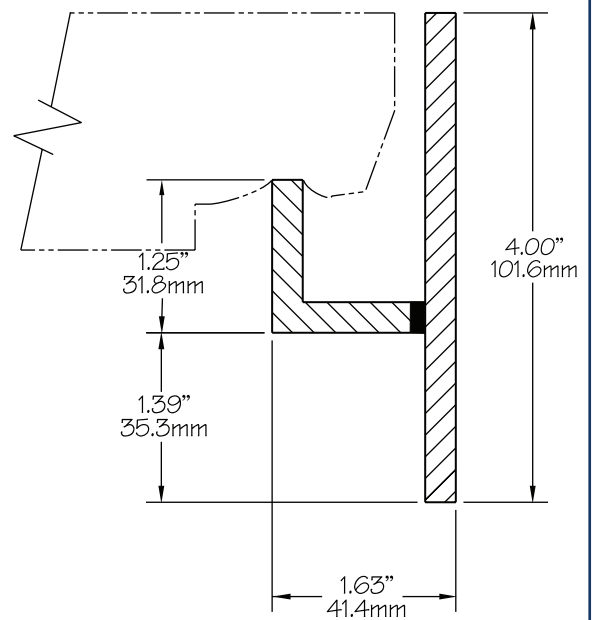
Aluminum - Deep Gutter
0641-1014



Aluminum - Raised
0641-1015



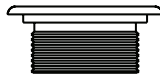
Steel - Deep Gutter
0641-1034



Stainless Steel - Deep Gutter
0641-1025

Degree of watertightness depends on panel and coaming construction, number of dogs, proper installation and sealing adjustment. Closures are individually defined, specified and fabricated for each application.

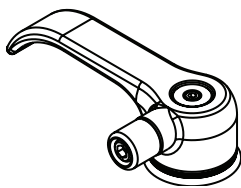
© ALL RIGHTS RESERVED
2010 FREEMAN MARINE EQUIPMENT, INC.
SPECIFICATIONS SUBJECT TO CHANGE WITHOUT NOTICE



Available on Hatch: 3130
3150
3430
3450

Handle Material: Stainless Steel
Mount: Outside
Finish: Polished

BI-SQUARE

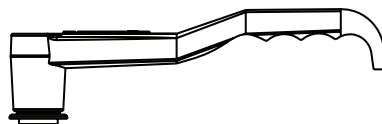
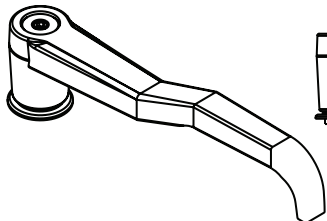


Available on Hatch: 3130
3430

Handle Material: Aluminum
Mount: Inside
Finish: Vibratory
Polished
Painted

LEVER WITH FLAT, LOW PROFILE

roller bearing

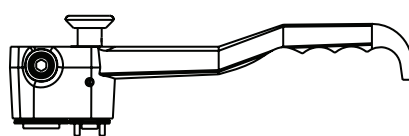
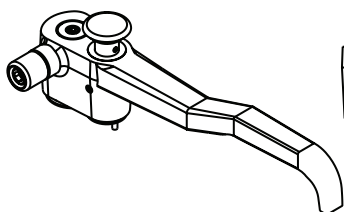


Available on Hatch: 3130
3430

Handle Material: Aluminum
Mount: Inside
Finish: Vibratory
Polished
Painted

LEVER WITH RETURN & FINGER GRIPS

no lock



Available on Hatch: 3130
3430

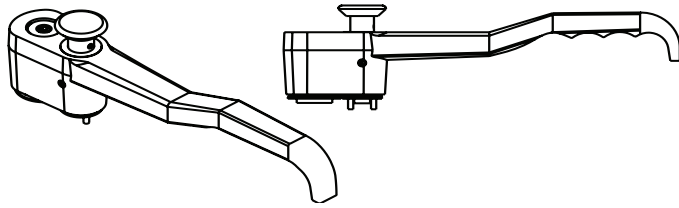
Handle Material: Aluminum
Mount: Inside
Finish: Vibratory
Polished
Painted

LEVER WITH RETURN & FINGER GRIPS

lock and roller bearings

Scale None

© ALL RIGHTS RESERVED
2010 FREEMAN MARINE EQUIPMENT, INC.
SPECIFICATIONS SUBJECT TO CHANGE WITHOUT NOTICE



LEVER WITH RETURN & FINGER GRIPS

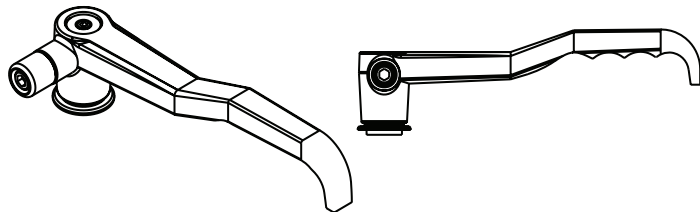
lock

Available on Hatch: 3430

Handle Material: Aluminum

Mount: Inside

Finish: Vibratory
Polished
Painted



LEVER WITH RETURN & FINGER GRIPS

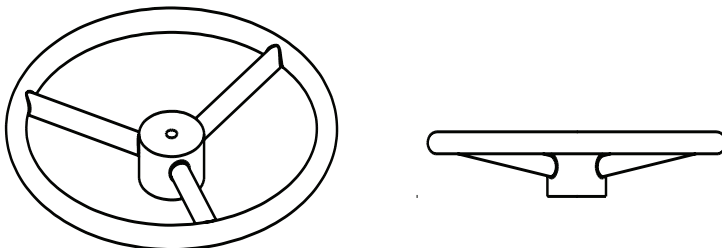
roller bearing

Available on Hatch: 3130
3430

Handle Material: Aluminum

Mount: Outside, Removable

Finish: Vibratory
Painted



WHEEL, ROUND 15.25" DIA.

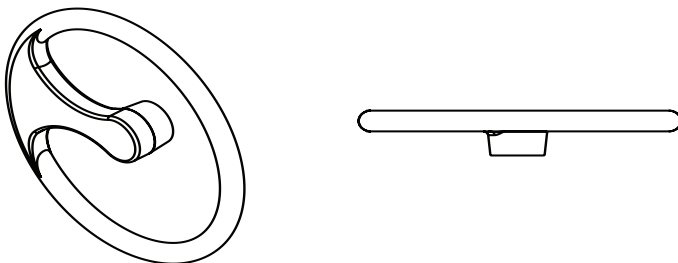
centrally located

Available on Hatch: 3430

Handle Material: Stainless Steel

Mount: Inside

Finish: Polished



WHEEL, BOLT ON, ROUND 12.5" DIA.

centrally located

Available on Hatch: 3430

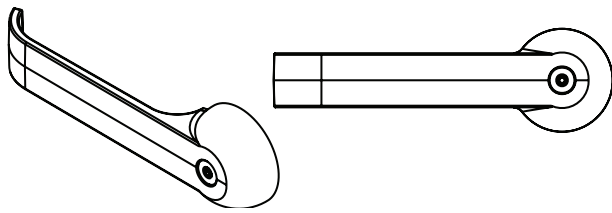
Handle Material: Aluminum

Mount: Outside

Finish: Vibratory
Painted

Scale None

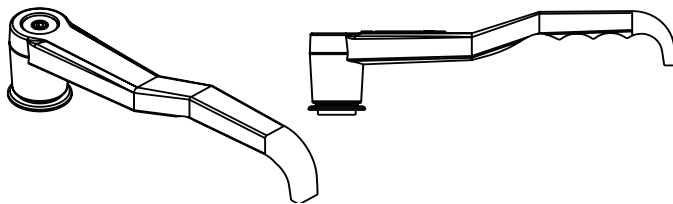
© ALL RIGHTS RESERVED
2010 FREEMAN MARINE EQUIPMENT, INC.
SPECIFICATIONS SUBJECT TO CHANGE WITHOUT NOTICE



LEVER WITH FLAT, LOW PROFILE

Available on Hatch: 3430
3450

Handle Material: Aluminum
Mount: Outside
Inside
Finish: Vibratory
Polished
Painted

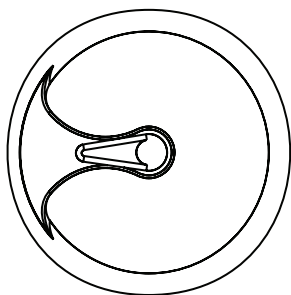


LEVER WITH RETURN & FINGER GRIPS

roller bearing

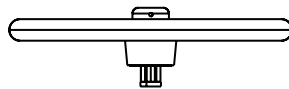
Available on Hatch: 3130
3430

Handle Material: Aluminum
Mount: Outside
Finish: Vibratory
Polished
Painted



WHEEL, ROUND 12.5" DIA.

bi-square



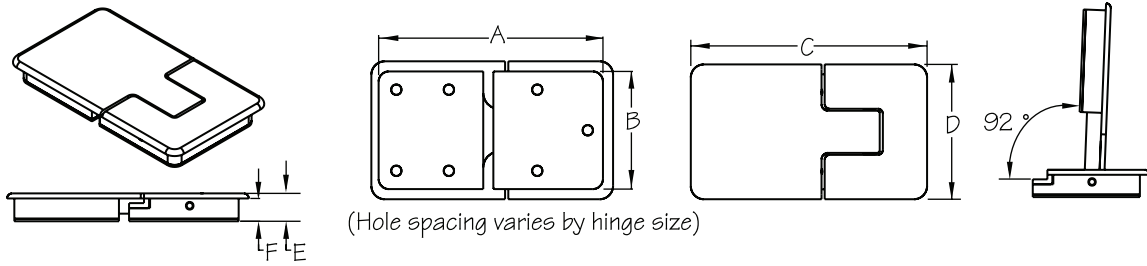
Available on Hatch: 3130
3430

Handle Material: Aluminum
Mount: Outside, Removable
Finish: Vibratory
Painted

Scale None

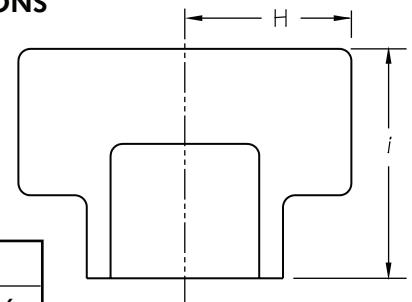
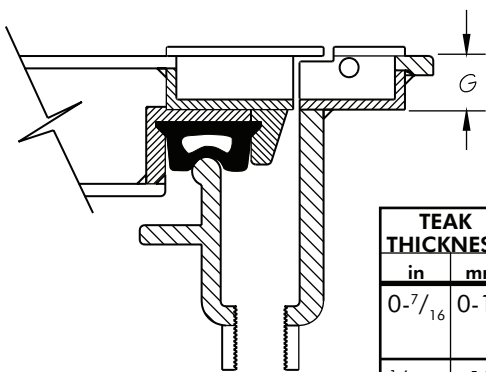
© ALL RIGHTS RESERVED
2010 FREEMAN MARINE EQUIPMENT, INC.
SPECIFICATIONS SUBJECT TO CHANGE WITHOUT NOTICE

SURFACE HINGE DIMENSIONS



| | | HINGE BLOCK | | | | HINGE COVER | | | | | | | |
|------|-----------|-------------|-----|------|----|-------------|-----|------|-----|------|----|------|----|
| Size | Part No. | A | | B | | C | | D | | E | | F | |
| | | in | mm | in | mm | in | mm | in | mm | in | mm | in | mm |
| 2x4 | 0461-2071 | 4.04 | 102 | 1.93 | 48 | 4.41 | 112 | 2.33 | 58 | 0.65 | 18 | 0.50 | 13 |
| 3x6 | 0461-2069 | 5.29 | 134 | 2.65 | 67 | 5.84 | 148 | 3.20 | 81 | 0.75 | 19 | 0.63 | 16 |
| 4x8 | 0461-2089 | 7.41 | 188 | 3.72 | 94 | 8.18 | 208 | 4.49 | 114 | 1.00 | 25 | 0.88 | 22 |

FLUSH SURFACE HINGE - POCKET DIMENSIONS



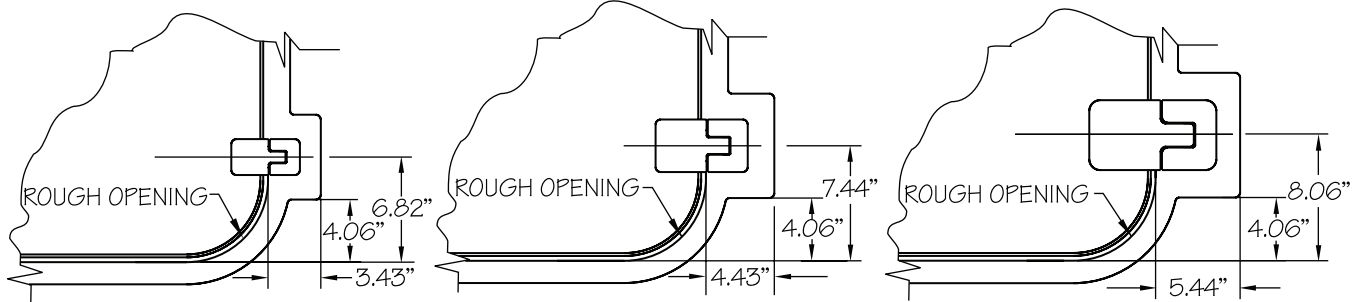
| TEAK THICKNESS | | G | | H | | i | | |
|----------------|------|------|------|------|------|------|-------|-----|
| in | mm | 2x4 | 3x6 | 2x4 | 3x6 | 2x4 | 3x6 | |
| 0-7/16 | 0-11 | 1.00 | 1.19 | 2.70 | 3.50 | 3.50 | 4.80 | in. |
| | | 25.4 | 30.2 | 68.6 | 88.9 | 88.9 | 121.9 | mm |
| 1/2 + | 12 | 0.51 | 0.51 | 2.70 | 3.50 | 3.50 | 4.80 | in. |
| | | 13.0 | 13.0 | 68.6 | 88.9 | 88.9 | 121.9 | mm |

ROUGH CUTOUT DIMENSIONS FOR HINGE INSTALLATION

2 x 4 DECK HINGE
0461-2071

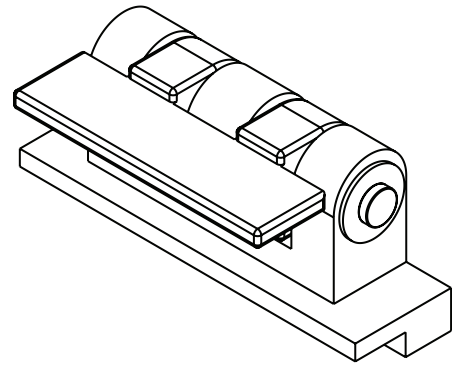
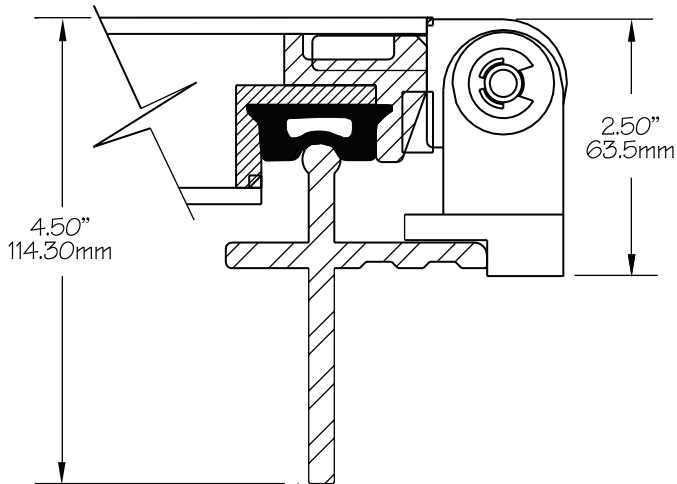
3 x 6 DECK HINGE
0461-2069

4 x 8 DECK HINGE
0461-2089



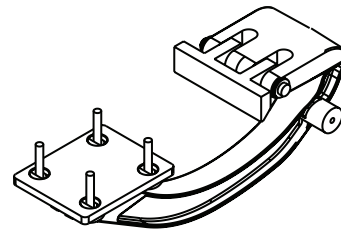
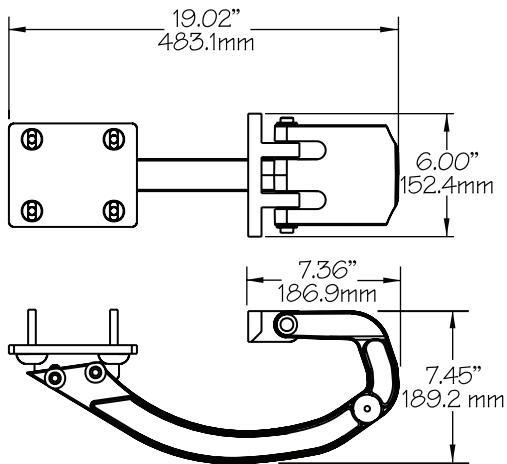
Scale None

© ALL RIGHTS RESERVED
2010 FREEMAN MARINE EQUIPMENT, INC.
SPECIFICATIONS SUBJECT TO CHANGE WITHOUT NOTICE



Scale None

© ALL RIGHTS RESERVED
 2010 FREEMAN MARINE EQUIPMENT, INC.
 SPECIFICATIONS SUBJECT TO CHANGE WITHOUT NOTICE

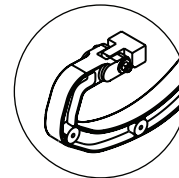
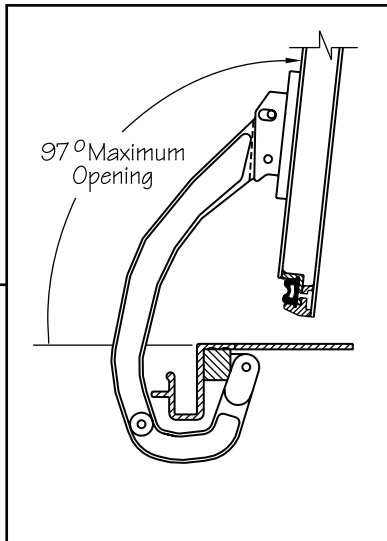


Wide Pivot Block

Hinge, Yoke, Small – wide pivot block

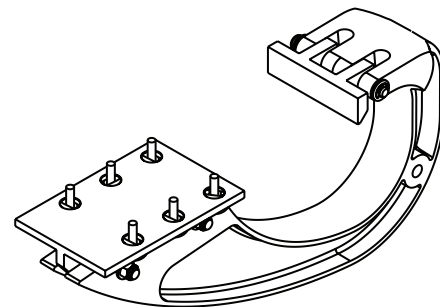
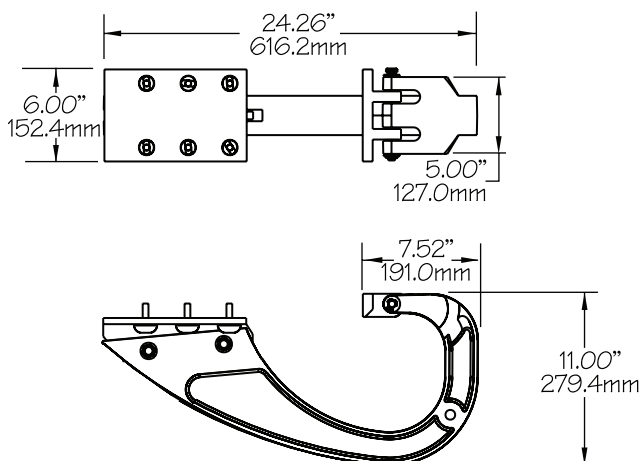
Part No. W-Gas Spring Mount

- | | |
|------------------|-------------|
| 0461-2118 | LH |
| 0461-2119 | RH |
| 0461-2130 | None |



Hinge, Yoke, Small - narrow pivot block

0461-2059



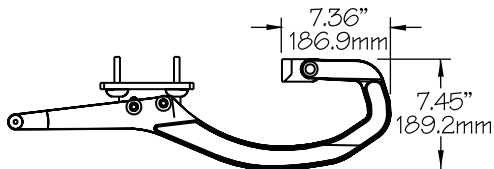
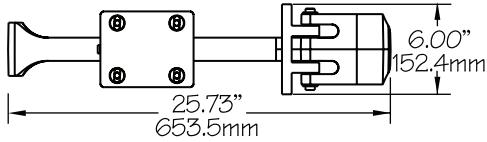
Hinge, Yoke, Large

0461-2060

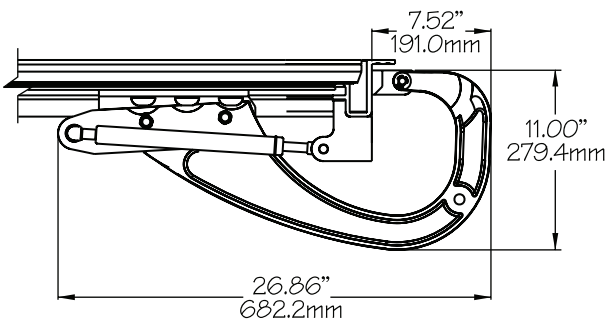
Scale None

© ALL RIGHTS RESERVED
2010 FREEMAN MARINE EQUIPMENT, INC.
SPECIFICATIONS SUBJECT TO CHANGE WITHOUT NOTICE

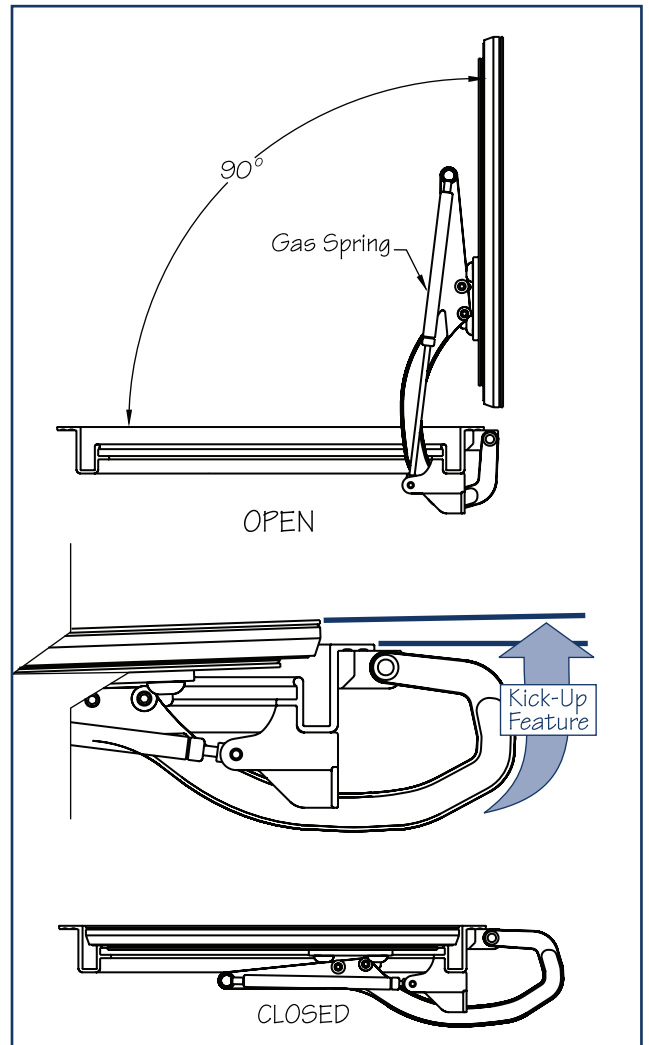
KICK-UP WITH GAS SPRINGS ON COAMING



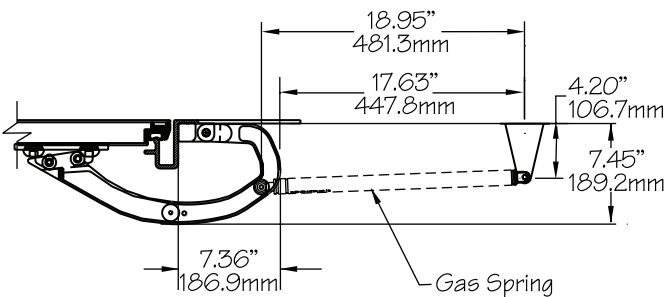
Hinge Yoke, Small



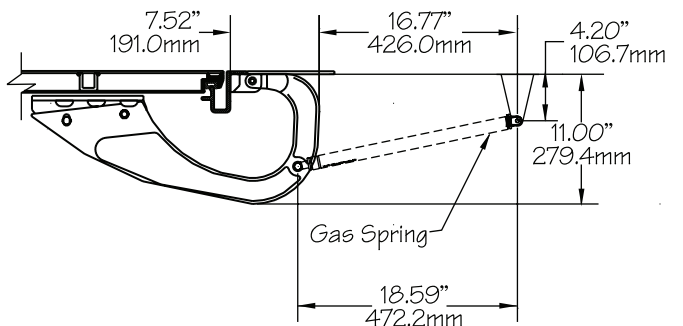
Hinge Yoke, Large



KICK-UP WITH GAS SPRINGS BEHIND HINGE



Hinge Yoke, Small



Hinge Yoke, Large

| | |
|--------------|------|
| Scale | None |
| Hinge | Yoke |

© ALL RIGHTS RESERVED
2010 FREEMAN MARINE EQUIPMENT, INC.
SPECIFICATIONS SUBJECT TO CHANGE WITHOUT NOTICE