

FREEMAN MARINE custom fabricated Premium Duty hatches offer a wide range of options to meet virtually any specification. Rugged construction featuring thick panel skins (.160" up to .250"), internal reinforcements and smooth welded skins to assure the reliable service and refined appearance expected in FREEMAN fabricated individually dogged hatches. Premium Duty hatches are specified where frequent open position viewing and guest usage occurs. Hatches may be ordered with flush or proud - raised coamings. Camber and sheer requirements to match deck profiles are routinely crafted. Hatches can be specified with either surface or concealed hinges. Panels and coamings can be specified with custom alignment for teak overlaying by installation yard or builder.



3130, flush D-ring dogged handle, flush surface hinges



3130, escape hatch, lift-out, guide pins (interior view)

PREMIUM DUTY PANEL HATCH DESIGN FEATURES

- Custom Shaped and Sized to Client Specifications
- Camber and Sheer to Match Decks (available)
- .160"~.250" Thick Aluminum Panel Skins
- Welded Frame and Skin Construction
- Knife-edge Sealing Method
- Wide Gasket for Aggressive, Tight Sealing
- Flush with Deck or Raised Coamings
- Bolt-in and Weld-in Coamings
- Cast, Precision Machined Handles, wide selection of styles and finishes
- Surface or Concealed Hinges
- Gas Spring Assist for Easy Lift and Closure
- Custom Drain Locations
- Teak Overlay Prep (available)
- Internal Panel Stiffeners
- Yacht-quality Painted Finish
- External Bi-square Opening (available)
- Stainless Steel Shafts and Fasteners
- Cast Dogs with Roller Bearing Cam Followers
- Glass Filled Striker Wedges



Escape hatch lift-out, Exterior view



Escape hatch lift-out, Guide pins, Interior view

Bi-square, Installed flush with teak deck



Bi-square, Polished, Raised for teak overlay



Flush D-ring dogged handle



Handle, Lever with flat/low profile



Two dog, Storage hatch



Two dog, Storage hatch, Open

Flush surface hinge, Raised for teak overlay



Yoke hinge, With hold open, 3000 Series hatch



Flush D-ring dogged handle, Flush surface hinges



Single dog, Single gas spring, Surface hinges

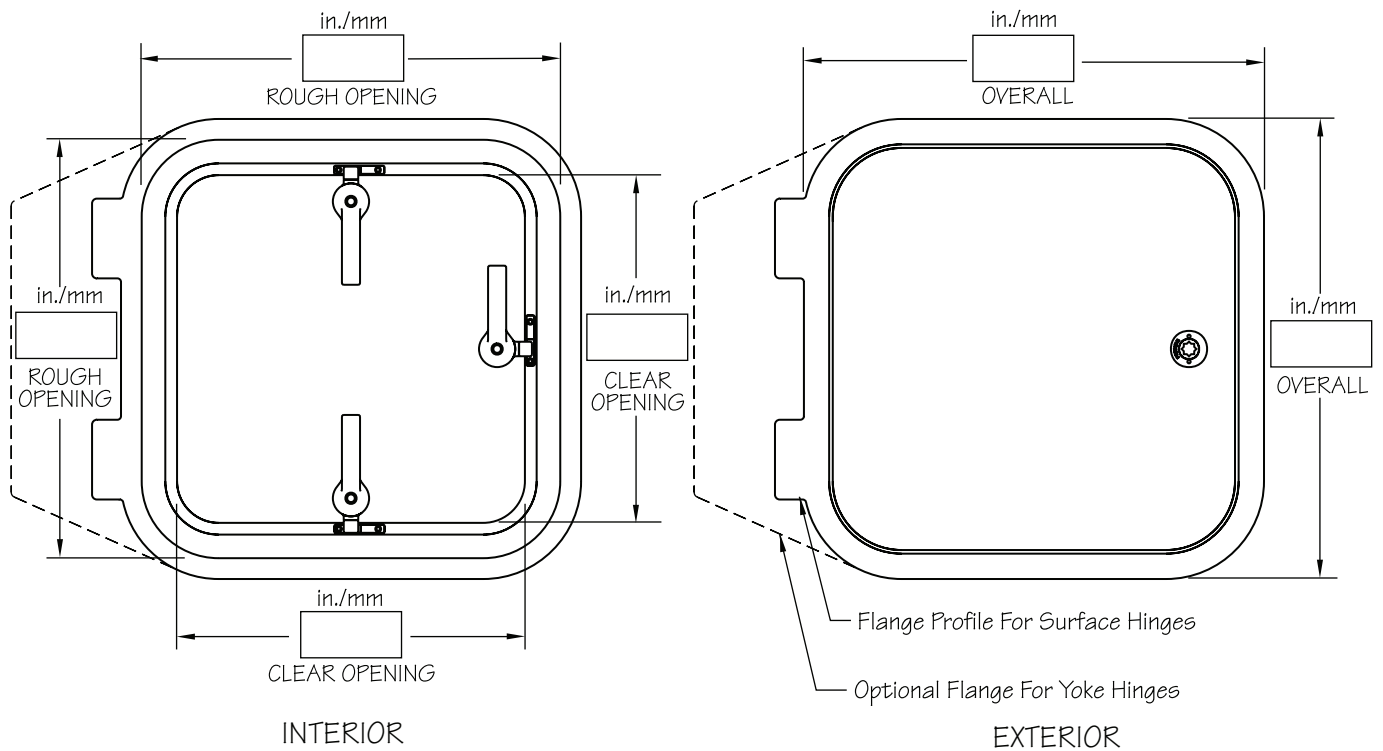
Drain bottom, 3000 Series hatch



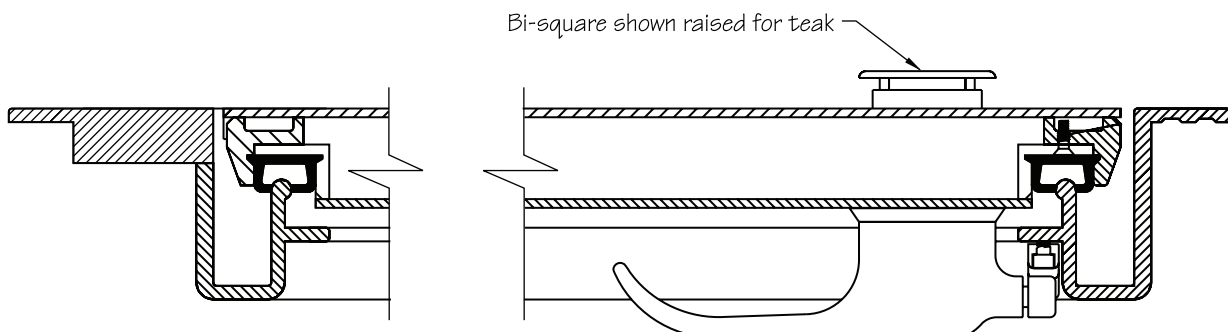
Drain side, 3000 Series hatch



This 3130 custom deck hatch is prepped with raised surface hinges and bi-square for builder installed teak overlay.

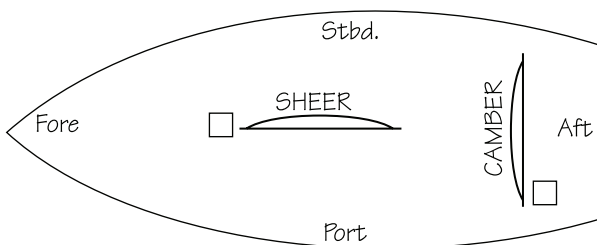


LAYOUT MODEL 3130

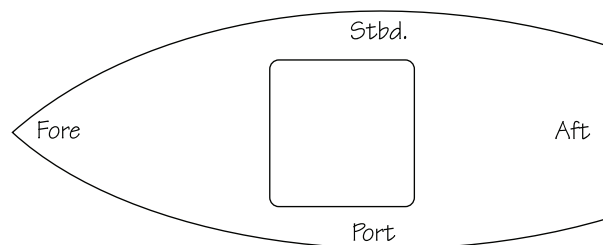


Hinges - specified separately
Gas springs - specified separately

CAMBER and SHEER DIRECTION



HINGE and DRAIN LOCATION

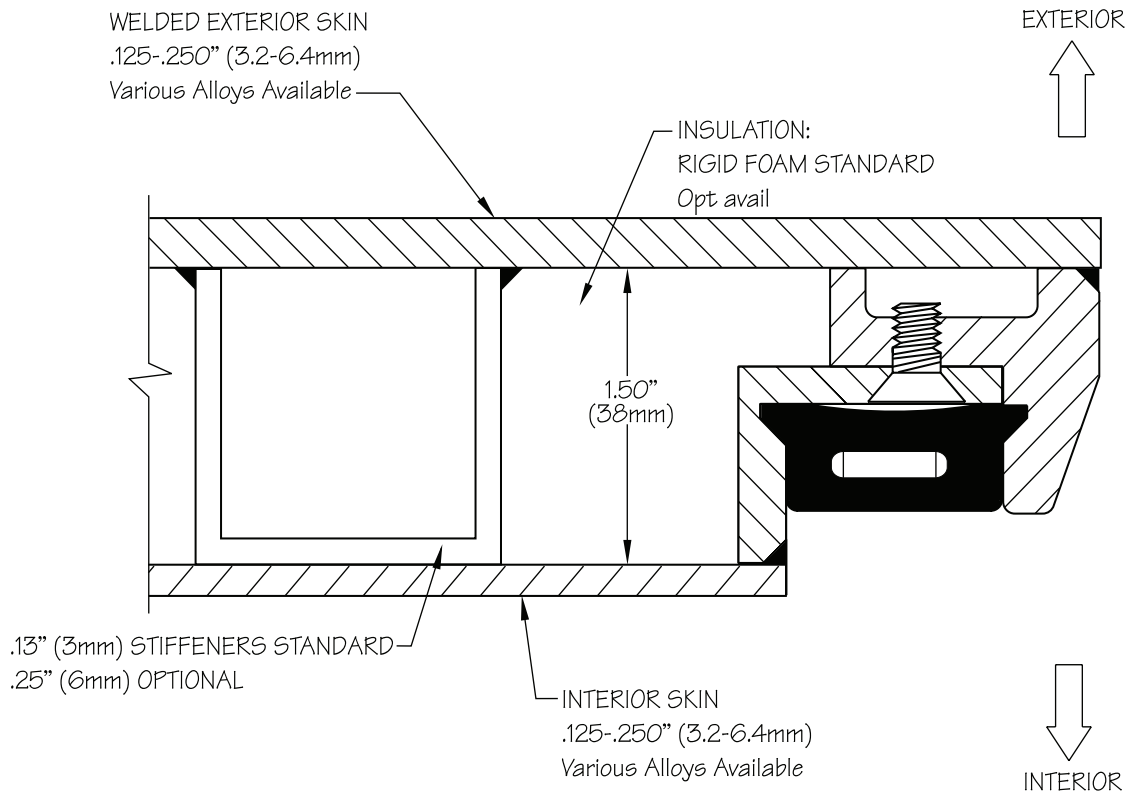
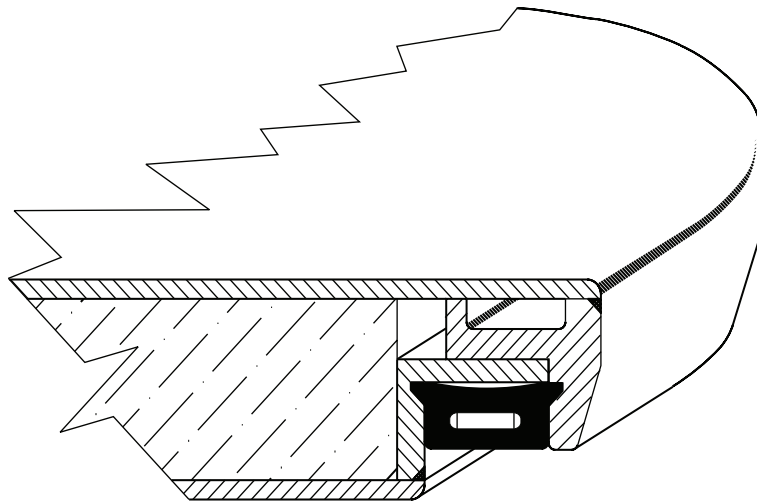


☐=Hinge ⊗=Drain

Scale	None
Hinge	Surface
Handle	Bi-square

Note: Hatch shown with 0641-1014 coaming

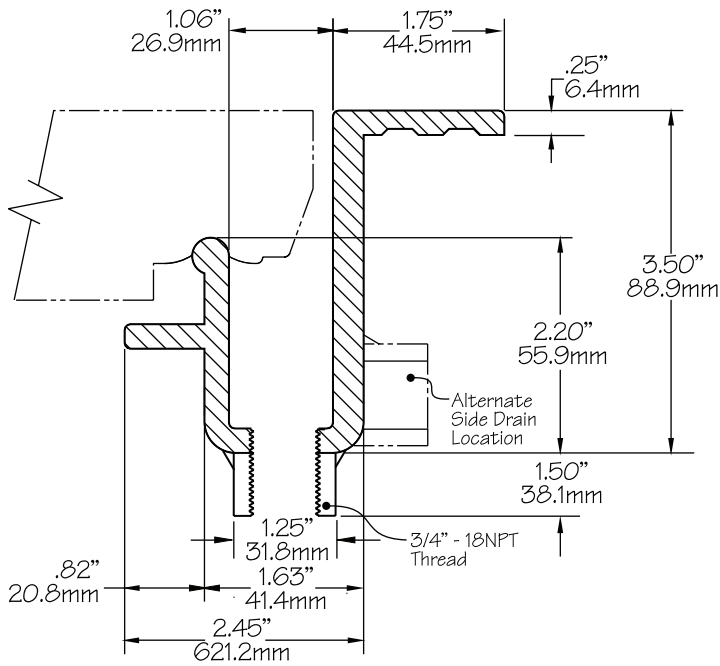
© ALL RIGHTS RESERVED
2010 FREEMAN MARINE EQUIPMENT, INC.
SPECIFICATIONS SUBJECT TO CHANGE WITHOUT NOTICE



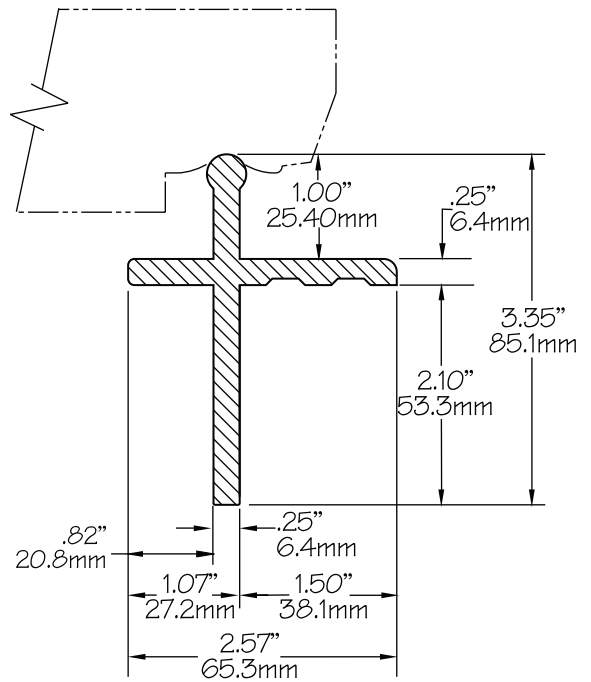
PANEL

Sealing Performance	Watertight	
Availability	3130 Individual	3430 Quick-Acting
Degree of watertightness depends on panel and coaming construction, number of dogs, proper installation and sealing adjustment. Closures are individually defined, specified and fabricated for each application.		

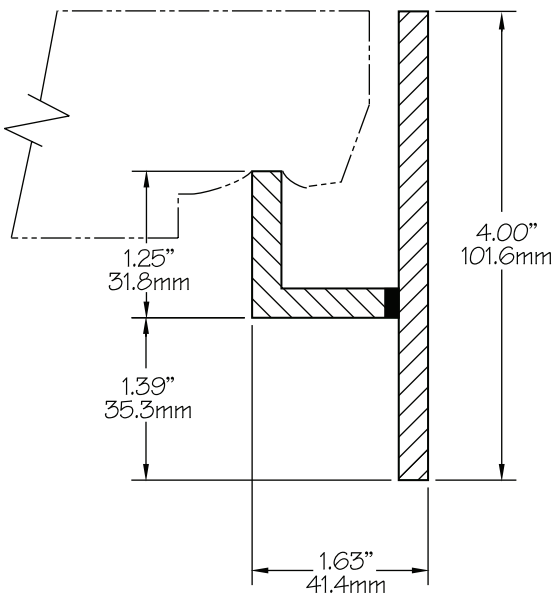
© ALL RIGHTS RESERVED
2010 FREEMAN MARINE EQUIPMENT, INC.
SPECIFICATIONS SUBJECT TO CHANGE WITHOUT NOTICE



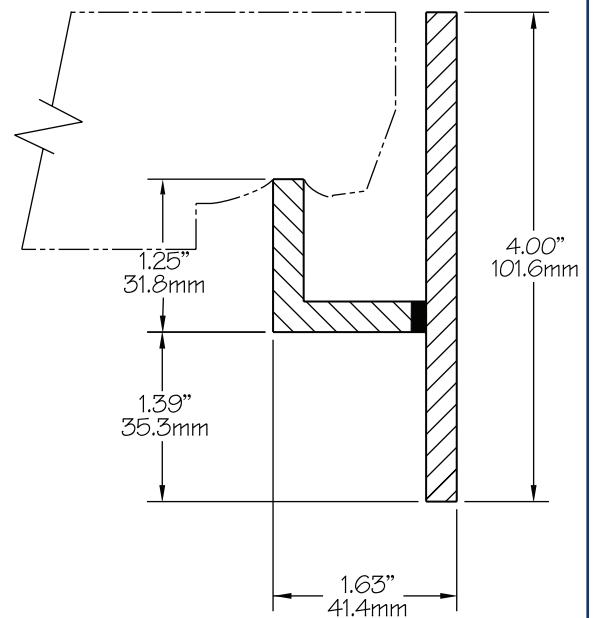
Aluminum - Deep Gutter
0641-1014



Aluminum - Raised
0641-1015



Steel - Deep Gutter
0641-1034



Stainless Steel - Deep Gutter
0641-1025

Degree of watertightness depends on panel and coaming construction, number of dogs, proper installation and sealing adjustment. Closures are individually defined, specified and fabricated for each application.

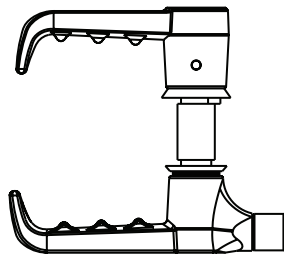
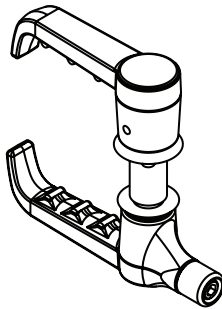
© ALL RIGHTS RESERVED
2010 FREEMAN MARINE EQUIPMENT, INC.
SPECIFICATIONS SUBJECT TO CHANGE WITHOUT NOTICE



Available on Hatch: 3130
3150
3430
3450

Handle Material: Stainless Steel
Mount: Outside
Finish: Polished

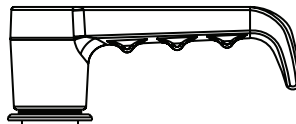
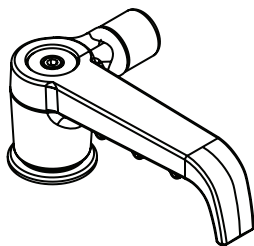
BI-SQUARE



Available on Hatch: 3150

Handle Material: Aluminum
Mount: Inside
Outside
Finish: Vibratory
Powder
Polished
Painted

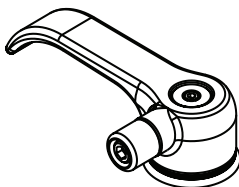
LEVER SET WITH RETURN
roller bearing



Available on Hatch: 3150
3430

Handle Material: Aluminum
Mount: Inside
Finish: Vibratory
Powder
Polished
Painted

LEVER WITH RETURN
roller bearing



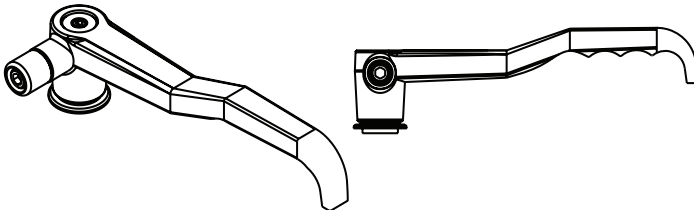
Available on Hatch: 3130
3150
3430

Handle Material: Aluminum
Mount: Inside
Finish: Vibratory
Polished
Painted

LEVER WITH FLAT, LOW PROFILE
roller bearing

Scale None

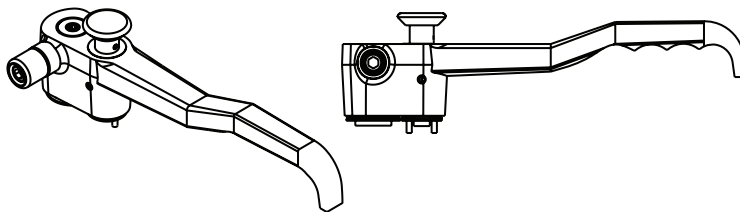
© ALL RIGHTS RESERVED
2010 FREEMAN MARINE EQUIPMENT, INC.
SPECIFICATIONS SUBJECT TO CHANGE WITHOUT NOTICE



LEVER WITH RETURN & FINGER GRIPS
roller bearing

Available on Hatch: 3130
3430

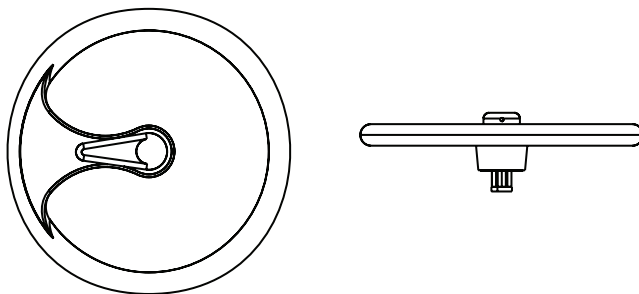
Handle Material: Stainless Steel
Mount: Outside
Finish: Vibratory
Polished
Painted



LEVER WITH RETURN AND FINGER GRIPS
lock and roller bearings

Available on Hatch: 3130
3430

Handle Material: Aluminum
Mount: Inside
Finish: Vibratory
Polished
Painted



WHEEL, ROUND 12.5" DIA.
bi-square

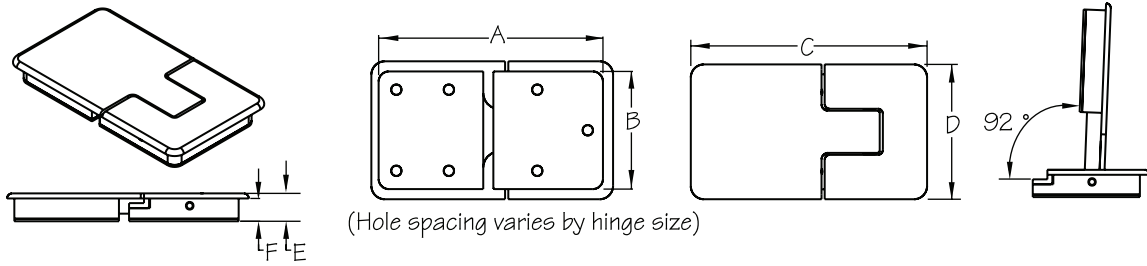
Available on Hatch: 3130
3430

Handle Material: Aluminum
Mount: Outside, Removable
Finish: Vibratory
Painted

Scale	None
--------------	------

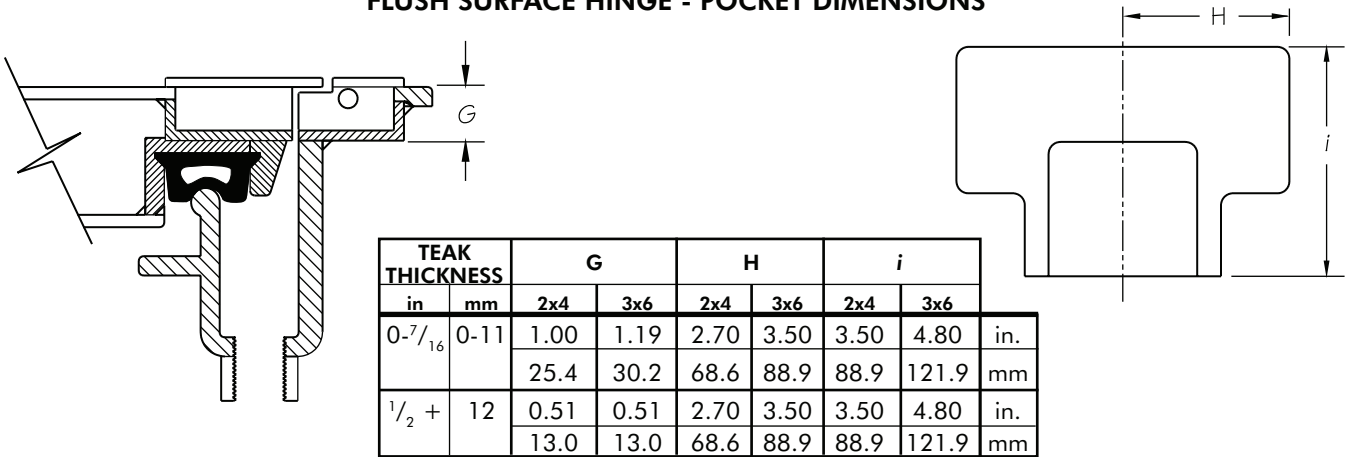
© ALL RIGHTS RESERVED
2010 FREEMAN MARINE EQUIPMENT, INC.
SPECIFICATIONS SUBJECT TO CHANGE WITHOUT NOTICE

SURFACE HINGE DIMENSIONS

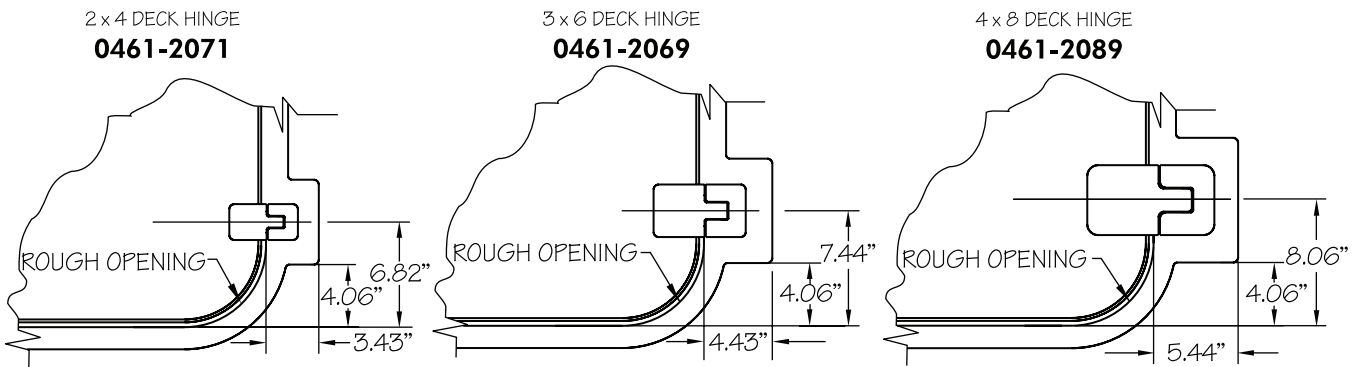


		HINGE BLOCK				HINGE COVER							
Size	Part No.	A		B		C		D		E		F	
		in	mm	in	mm	in	mm	in	mm	in	mm	in	mm
2x4	0461-2071	4.04	102	1.93	48	4.41	112	2.33	58	0.65	18	0.50	13
3x6	0461-2069	5.29	134	2.65	67	5.84	148	3.20	81	0.75	19	0.63	16
4x8	0461-2089	7.41	188	3.72	94	8.18	208	4.49	114	1.00	25	0.88	22

FLUSH SURFACE HINGE - POCKET DIMENSIONS

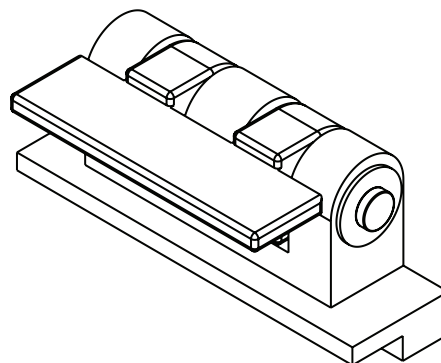
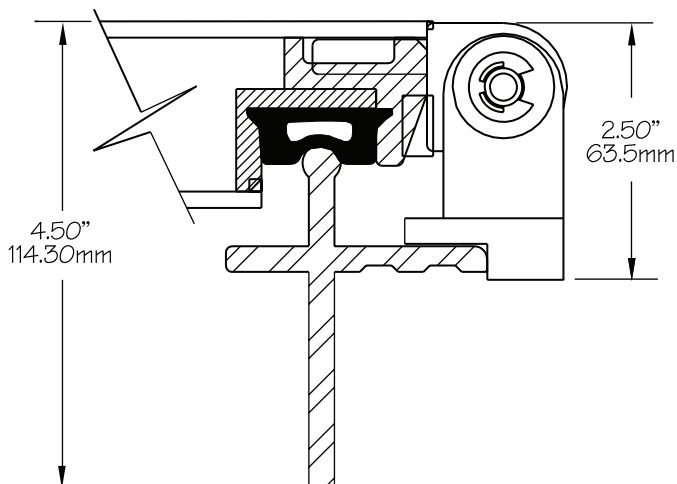


ROUGH CUTOUT DIMENSIONS FOR HINGE INSTALLATION



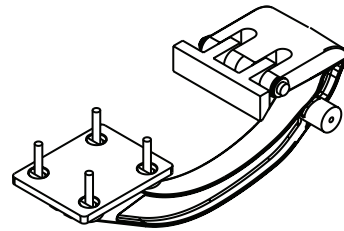
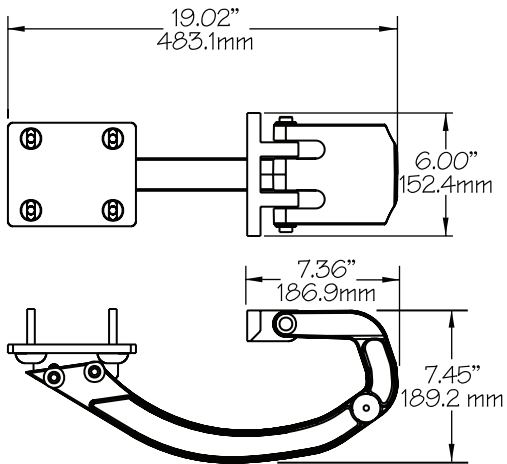
Scale None

© ALL RIGHTS RESERVED
 2010 FREEMAN MARINE EQUIPMENT, INC.
 SPECIFICATIONS SUBJECT TO CHANGE WITHOUT NOTICE



Scale	None
--------------	------

© ALL RIGHTS RESERVED
 2010 FREEMAN MARINE EQUIPMENT, INC.
 SPECIFICATIONS SUBJECT TO CHANGE WITHOUT NOTICE

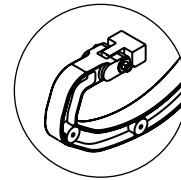
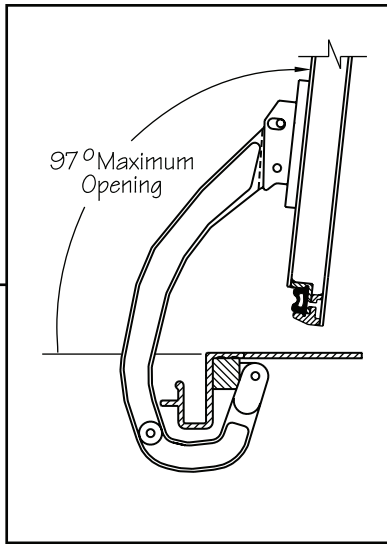


Wide Pivot Block

Hinge, Yoke, Small – wide pivot block

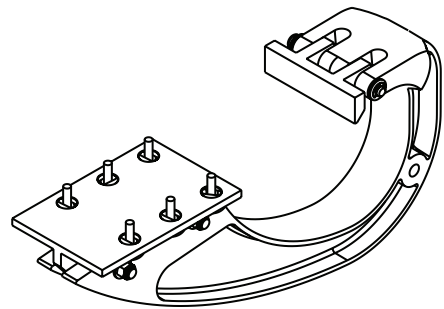
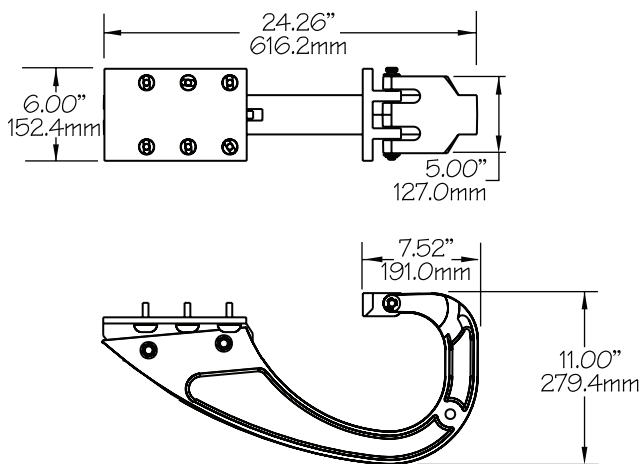
Part No. W-Gas Spring Mount

- | | |
|------------------|-------------|
| 0461-2118 | LH |
| 0461-2119 | RH |
| 0461-2130 | None |



Hinge, Yoke, Small - narrow pivot block

0461-2059



Hinge, Yoke, Large

0461-2060

Scale None

© ALL RIGHTS RESERVED
2010 FREEMAN MARINE EQUIPMENT, INC.
SPECIFICATIONS SUBJECT TO CHANGE WITHOUT NOTICE