



# ES Series 1500 Crane



Our lightweight and super efficient ES Series crane offers a low profile European design with four-function hydraulics.

<b>APPLICATION</b>	Recreational, Light Commercial	
<b>STANDARD FEATURES</b>	<ul style="list-style-type: none"> <li>• Low Profile Design</li> <li>• 4 Function Hydraulics (Luffing, Boom Extension, Rotation, Winch)</li> </ul>	<ul style="list-style-type: none"> <li>• Wireless Control</li> <li>• 24V DC Power Unit</li> <li>• Smooth Quiet Operation</li> </ul>
<b>OPTIONAL FEATURES</b>	<ul style="list-style-type: none"> <li>• Wired Control</li> <li>• Color Match Finish</li> </ul>	<ul style="list-style-type: none"> <li>• Custom Specifications Available Upon Request</li> </ul>
<b>MOUNTING OPTIONS</b>	<ul style="list-style-type: none"> <li>• Standpipe 9' Standard</li> <li>• Round Base</li> </ul>	<ul style="list-style-type: none"> <li>• 24" x 24" Square Base</li> <li>• 24" x 30" Aluminum HPU Base</li> </ul>
<b>HOSES</b>	16' Standard - Available in 5', 8', 22', and Custom Length	



ISO 9001:2008



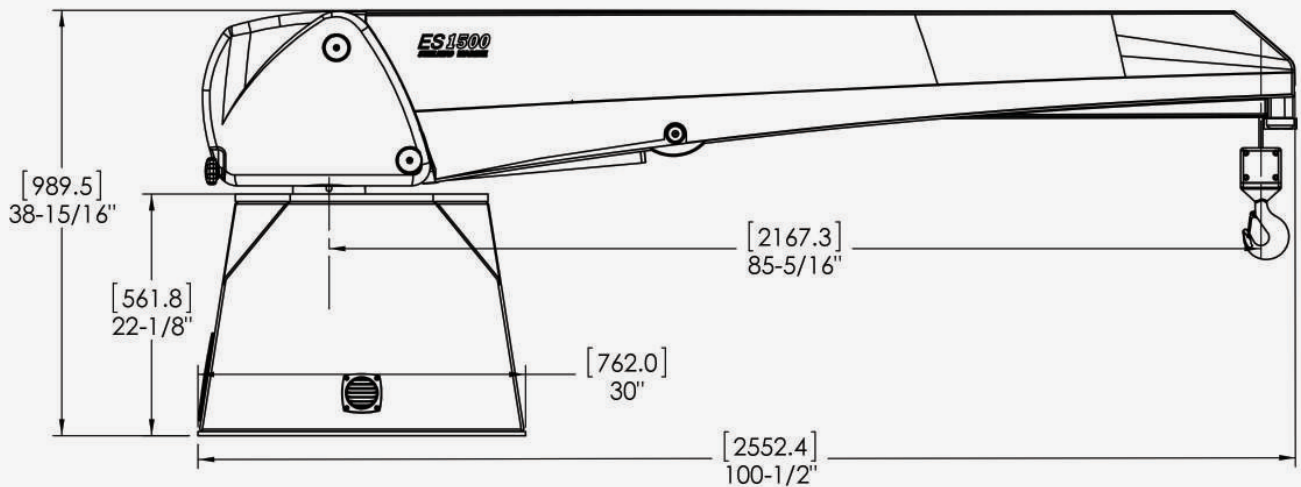
**PROUDLY MADE IN  
NORTH AMERICA**



# ES Series 1500 Crane

MODEL	MAXIMUM LIFT	EXTENDED REACH	HOIST HEIGHT	WEIGHT	RETRACTED LENGTH	IDEAL FOR VESSELS
ES1500	1500 lbs 680 kg	12' 3.7 m	20' 6.0 m	202 lbs 273 kg	7' 2.13 m	55' to 70' 16.8 m to 21.3 m

CAPACITY	REACH	WEIGHT	HOIST CABLE	CABLE SAFETY FACTOR	HOIST TRAVEL	WINCH TYPE	OPTIONAL HYDRAULICS
1500 lbs 682 kg	7 - 12' 2.1 - 3.7 m	602 lbs 273 kg	5/16" Amsteel	9:1	20' 6 m	Linear	Luffing Extension Rotation Winch



ISO 9001:2008



**PROUDLY MADE IN  
NORTH AMERICA**