

# TECHNICAL DATA RS 140 UNDERWAY STABILIZER

## Electrical requirements

Power supply:	230 VAC / 50 Hz
Max. Power consumption ( per unit* ):	1500 W
Average power consumption ( per unit ):	1000 W
Peak consumption ( +/- 0,5 sec ):	12,5 Amp
Protection:	C 16 / 0,03 A ( one unit ) C 25 / 0,1 A ( two units )
Inverter recommendation:	Victron Phoenix 1600 Va ( one unit ) Victron Phoenix 3000 Va ( two units )

## Mechanical requirements

Reinforcement:	Structure reinforcement to withstand at least 9000 Nm dynamic loads
	<b>Steel &amp; Aluminium hull:</b> box shaped Reinforcement
	<b>GRP &amp; Wooden hull:</b> ( wooden ) Reinforcement laminated to hull & frame. Trough hull bushing installed with stainless steel 316 doubler plates an hollex filler ( or equivalent )

## Placement

Stabilizer units:	From amidships to 1,5 metr ( 5 ft) before aft, as far outside as possible.
Control box:	Close to stabilizer units, horizontal or vertical placement possible.
Display:	Near main helm / ships controls

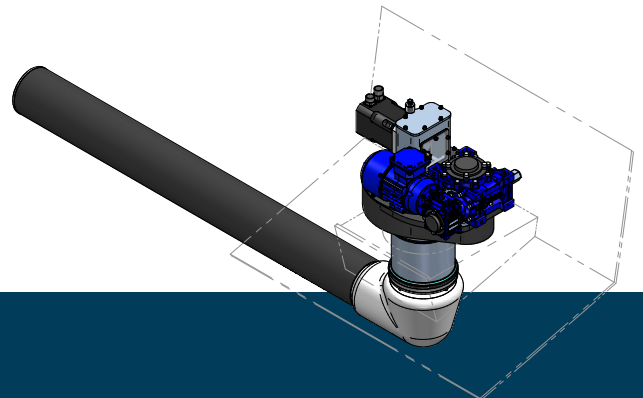
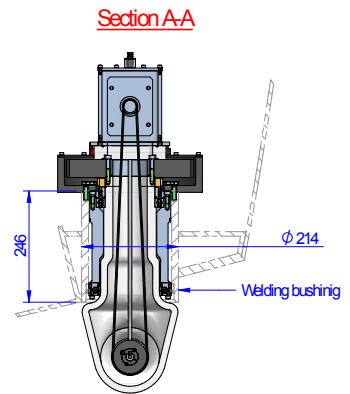
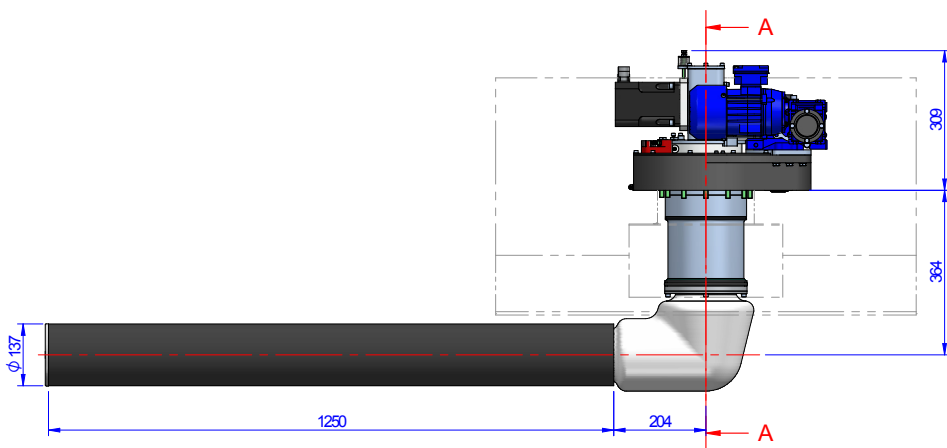
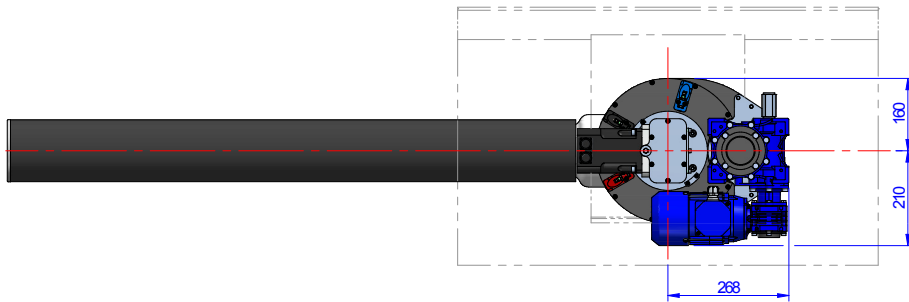
\* One unit : 1 rotor stabilizer positioned at SB or PS

## Construction

Welding Bushing:	Steel with stainless steel 316 insert Stainless steel AlMg 4,5 Mn ( Aluminium )
Elbow:	Nodular cast iron ( epoxy coated )
Shaft:	Hardened stainless 17/4 PH
Rotor:	Carboc / epoxy with stainless steel insert 1000 1250 mm long, Ø 140 mm
Bearings:	<b>Shaft:</b> maintenance free roller bearings <b>Bushing:</b> sleeve bearing
Seals:	Multiple seals / O-rings
Gears:	Hardened steel
Gear housing & inside structure:	Machined aluminium
Swivel motor:	400 W industrial grade 3 phase motor
Rotation motor:	1900 W industrial grade servo drive
Drive belt:	Multi V-belt ( automotive grade )
Safety:	Break away bolts in case of heavy impact swivel mechanism Multiple seals shaft / bushing / inside structure Manual retraction mechanism



# TECHNICAL DATA RS 140 UNDERWAY STABILIZER



**ROTORSWING**  
YACHT STABILITY CONTROL

Industriestraat 7c | 6361 HD Nuth | +31 (0)6 25442572  
info@rotorswing.com | www.rotorswing.com

