



TRIM TABS

Instatrim, the original hydraulic boat leveller, provides a better ride every time you leave the dock. A simple rocker type control permits you to correct a bow high or list condition on any shaped hull, from 5 to 20 metres. Easy to install Instatrim boat levellers are strong and durable, and come in lengths to fit most boats. Custom sizes are also available. Instatrim's 40 years commitment to the boating industry assures you of a quality product that performs excellently.



INSTATRIM TRIM TAB KITS

Wiring

- Colour-coded wiring in 8 to 12 metre lengths with quick connect fittings.

Solenoids

- Custom designed for Insta-Trim, epoxy sealed and humidity resistant, thereby preventing shorting out. The solenoids lock the tabs in any position, eliminating driftback.

Motor

- A powerhouse with coated wiring and a thermal overload that resists temperature and amperage build-up. 1 3/4" stack windings and top mounting eliminates oil leakage. The motor is mounted with stainless steel nuts and bolts, and is easily disassembled.

Brackets

- Swivel type brackets allow cylinders to be mounted and adjusted to any angle. Knockout pins act as shear pins if tab strikes an object.

Pump

- Designed and engineered exclusively by Instatrim. The built-in bypass is factory set at 400 P.S.I. Tolerance held to .00025. Amperage doesn't exceed 16 because the unit circulates oil, rather than stalling out or trying to pump additional pressure.

Cylinders

- Impact resistant, fibreglass reinforced nylon cylinders eliminate expansion and resist ultra-violet rays. Two expanding type seals, plus O-ring, eliminate high and low pressure leaks. A stainless steel spring retracts the cylinder when the boat is not in motion.

Motor Cover

- 4 1/2" D x 6" W x 1 1/2" H, high impact ABS plastic cover with a built-in oil reservoir mounts easily with two screws. The filler is located in front. Our cover protects the motor from occasional wash down.



Trim Tabs

- 12 gauge 304 stainless steel trim tabs are available in standard and custom lengths. They are guaranteed against electrolysis, remaining strong and secure. Insta-Trim's hinges prevent most spray and can be used for transom or bottom mounting.

Hose

- Designed and manufactured exclusively for Insta-Trim with nylon-reinforced webbing and protective PVC coating. Rated at 2000 lb. burst pressure, 5 m of hose is supplied for your system. Entering the transom 150 mm above the water line, the hoses are held securely with hose trimmer and stainless steel clamps.

Rocker Type Controls

- Mounted on the dash they are easy to operate. 2TP Micro switch with silver contact points adjust the tabs for maximum control and performance.
- One pint of Insta-Trim biodegradable transmission oil, funnel and mounting hardware is supplied.

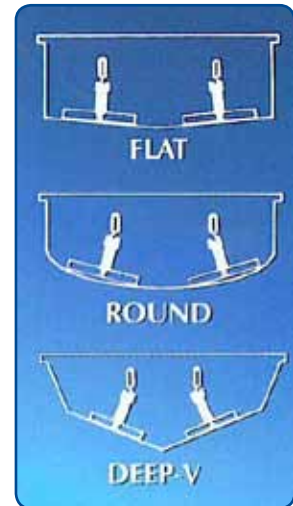
Installation

- Installation of Instatrim trim tabs is quick and easy. What little hardware that is needed is supplied and the components of the system arrive pre-assembled. The system can be installed on fibreglass, aluminium, steel or wood hulls in any design, flat, round or deep-V. Colour-coded wiring makes the electronic installation simple. Tabs can be painted to prevent growth.



INSTA-TRIM TAB SETS

Code	Approx. boat length	Cylinders per tab	Tab Size (mm)
N248000	7 to 8.5 M	Single	500 x 200
N301000DC	8.5 to 10 M	Dual	750 x 250
N308000	8.5 to 9.7 M	Single	750 x 200
N368000	10 to 12 M	Single	900 x 200
N368000DC	10 to 12 M	Dual	900 x 200
N408000	12 to 13.7 M	Single	1000 x 200
N408000DC	12 to 13.7 M	Dual	1000 x 200
N468000DC	13.7 to 16.7 M	Dual	1150 x 200
N50100DC	16.7 to 18.7 M	Dual	1250 x 250
N508000DC	16.7 to 18.3 M	Dual	1250 x 200
N558000DC	18.3 to 21 M	Dual	1400 x 200
N601000DC	20 M and longer	Dual	1500 x 250
N608000DC	20 M and longer	Dual	1500 x 200



Kits include everything you need for installation (except basic tools)

Swivel type brackets allow InstaTrim boat levelers installed at any angle, even under platforms and transoms which are slanted aft.

UNIVERSAL MOTOR PUMP

Insta-Trim have released a new universal motor pump that fits all brands of hydraulic trim tab motor pumps.

- Pump has adjustable pressure relief valve set at 400psi
- Built in Bypass so fluid circulates to prevent the pump from stalling
- Motor has thermal overload protection
- Includes all necessary fittings for a 12V single cylinder system
- Kit contains biodegradable oil and funnel
- Heavy duty solenoid valves to lock cylinders in place
- 18" wire harness with colour coding instructions for other brands

Code	Description
N12700UNV	Universal Motor pump



WATER PROOF SWITCHES

- Easily installed with a 38 mm hole saw
- Adapt easily to other brands of trim tabs
- Sealed between the switch and the dashboard
- No interrupter relays needed
- Drop in replacement for all factory Insta-Trim switches

Code	Description
N2002TTCBFFB	Waterproof trim tab switch w/flywire - black face
N2002TTCBFGB	Waterproof trim tab switch - black face



ELECTRONIC TAB LOCATOR KITS

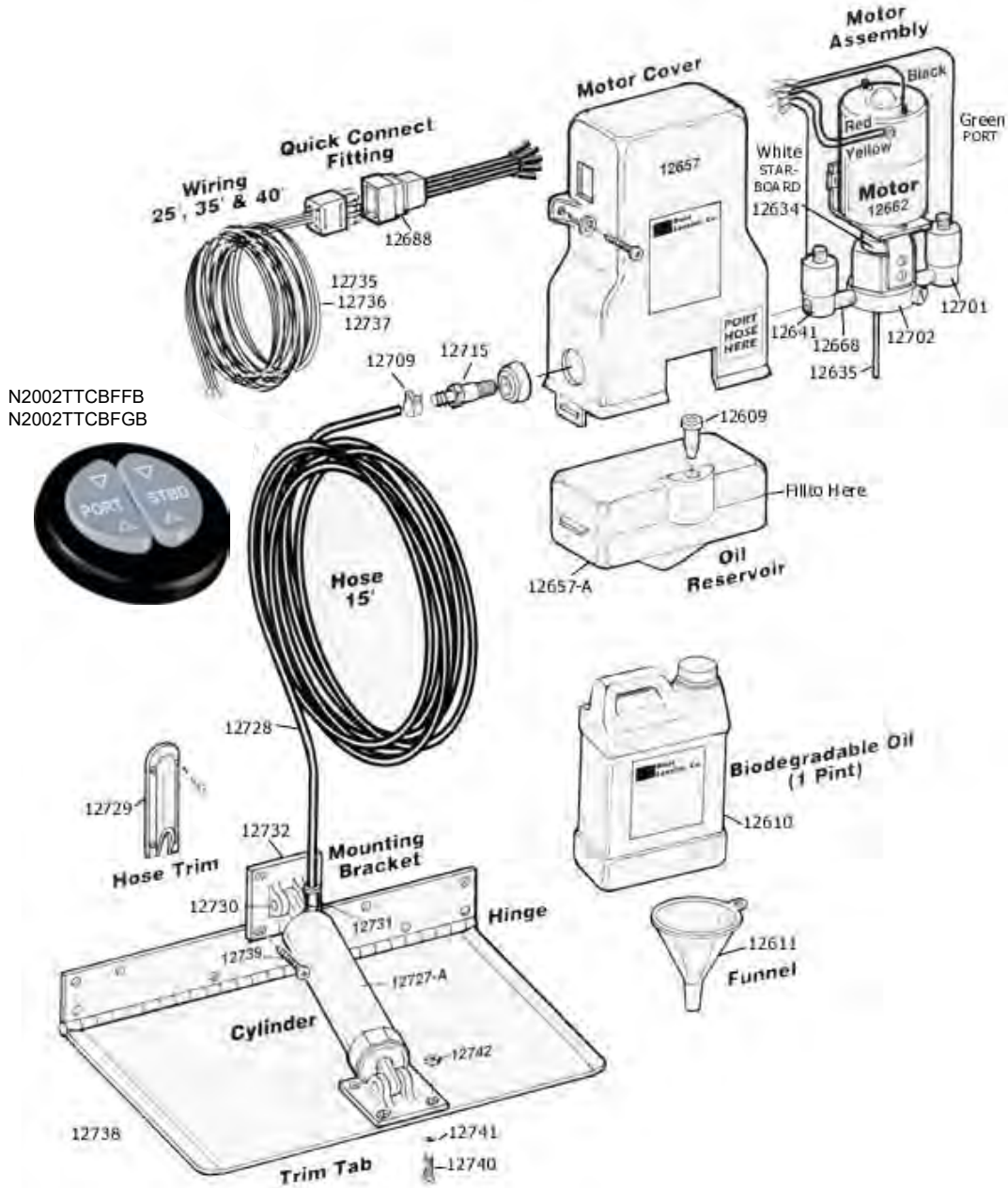
- Clearly shows the position of your trim tabs
- Instrument designed to match your rocker type controls and its smart display adjusts brightness to sunlight
- Simple Installation with no moving parts
- The hard wearing detectors mount easily on each hydraulic cylinder

Code	Colour	Harness Length
N29000BWL	Black	7.6 m
N29000WBL	White	7.6 m
N29002BWL	Black	15.2 m
N29002WBL	White	15.2 m
N29002WBL C	White with chrome bezel	15.2 m





SPARE PARTS BREAKDOWN



N2002TTCBFFB
N2002TTCBFGB



MADE IN
THE USA

Tab Locator Parts

PART #	TAB LOCATOR PARTS	PART #	TAB LOCATOR PARTS
N29010BWL	ROUND BLACK INDICATOR PANEL	N12635	OIL SUMP TUBE
N29010WBL	ROUND WHITE INDICATOR PANEL	N12609	OIL RESERVOIR PLUG
N29028	Y-CONNECTOR, BLACK JUNCTION BOX	N12610	INSTA-TRIM BIODEGRADABLE OIL
N29030	OUTSIDE SENSOR AND 6' CABLE	N12611	FUNNEL FOR BIODEGRADABLE OIL
N29024-25	WIRE HARNESS, 25' WITH PLUG. FITS Y-CONNECTOR TO PANEL	N12612	INSTA-TRIM BIODEGRADABLE OIL & FUNNEL KIT
N29024-50	WIRE HARNESS, 50' WITH PLUG. FITS Y-CONNECTOR TO PANEL	N12709	STAINLESS STEEL SOLENOID HOSE FITTING CLAMP
N29040	INSIDE SENSOR FOR PISTON CAP	N12728	HYDRAULIC HOSE 2,000 POUNDS BURST PRESSURE, PER FOOT
N29040-A	BRASS SCREW FOR INSIDE SENSOR	N12729	HOSE TRIM WITH SCREWS PER EACH
N29202	BRACKET FOR LIGHT PANEL	N12729-S	SHORT HOSE TRIM WITH SCREWS PER EACH
N29203	NUT FOR LIGHT PANEL	N12727-A N12727ATBL204	HYDRAULIC CYLINDER W/HOSE PER EACH HYDRAULIC CYLINDER W/ HOSE W/SENSOR FOR SYSTEMS WITH TAB LOCATORS
N12700UNIV	UNIVERSAL MOTOR PUMP CONVERTS TO FIT OTHER BRANDS	N12730	CYLINDER PINS
N12700-12	COMPLETE MOTOR PUMP UNIT 12 VOLT	N12731	HOSE COLLARS
N12700-A-12	12 VOLT WITH TEES FOR 4 CYLINDERS & HOSES	N2002TTCBFGFB	WATERPROOF SWITCHES BLACK FACE GRAY BUTTONS
N12700-24	COMPLETE MOTOR PUMP UNIT 24 VOLT	N2002TTCBFFB	WATERPROOF SWITCHES BLACK FACE WITH WIRE FOR FLYBRIDGE
N12700-A-24	24 VOLT WITH TEES FOR 4 CYLINDERS & HOSES	N2002TTCBFGB-G	WATERPROOF SWITCHES BLACK FACE GRAY BUTTONS NO LOGO
N12700-32	COMPLETE MOTOR PUMP UNIT 32 VOLT	N12725	ONE COMPLETE SET OF SWITCHES (BLACK PLATE)
N12700-A-32	32 VOLT WITH TEES FOR 4 CYLINDERS & HOSES	N12725-A	ONE SWITCH ONLY
N12662-12	12 VOLT MOTOR ONLY	N12725-B	ONE SET SWITCHES WITH WIRE FOR FLY BRIDGE
N12662-24	24 VOLT MOTOR ONLY	N12725-C	WATER RESISTANT COVER FOR SWITCH ASSEMBLY
N12662-32	32 VOLT MOTOR ONLY	N12726	20 AMP FUSE WITH WIRE
N12702	HYDRAULIC PUMP WITH PRESSURE RELIEF VALVE	N13001	ONE SWITCH PLATE WITH SCREWS (BLACK)
N12657	OUTSIDE HOUSING & RESERVOIR WITHOUT FEMALE WIRE RECEPTACLE	N13001-A	ONE SWITCH PLATE FOR WATER RESISTANT COVER W/SCREWS (BLACK)
N12657-A	WHITE RESERVOIR	N12735	25' WIRE HARNESS
N12657-B	OUTSIDE HOUSING ONLY WITHOUT FEMALE WIRE RECEPTACLE	N12737	40' WIRE HARNESS
N12641-12	SOLENOID VALVE WITH WHITE WIRE, 12 VOLT	N13000	14' WIRE HARNESS FOR FLY BRIDGE CONTROLS
N12641-24	SOLENOID VALVE WITH WHITE WIRE, 24 VOLT	N12688	FEMALE WIRE RECEPTACLE
N12641-32	SOLENOID VALVE WITH WHITE WIRE, 32 VOLT	N13302	18" WIRE HARNESS FOR CONVERTING OLD STYLE MOTOR PUMP TO NEW STYLE
N12701-12	SOLENOID VALVE WITH GREEN WIRE, 12 VOLT	N12732	NYLON CYLINDER BRACKETS (4 PIECES-COMplete SET)
N12701-24	SOLENOID VALVE WITH GREEN WIRE, 24 VOLT	N12732-A	NYLON CYLINDER BRACKET (1 PIECE)
N12701-32	SOLENOID VALVE WITH GREEN WIRE, 32 VOLT	N12738 12738-A	STAINLESS STEEL TABS WITH HINGE, PER SQUARE INCH H.D. 1/4 INCH STAINLESS STEEL PLATE RAVEN GLOSS BLACK, PER SQUARE INCH
N12715	SOLENOID HOSE FITTING BARB TYPE	N12739	STAINLESS STEEL TAPPING SCREW 10 X 1
N12668	BRASS NIPPLE FROM PUMP TO SOLENOID	N12740	STAINLESS STEEL 1/4 X 5/8 BOLT
N12743	BRASS T CONNECTION SET FOR DUAL CYLINDER APPLICATION	N12741	STAINLESS STEEL LOCKWASHER FOR 5/8 BOLT
N12634	MOTOR TO SHAFT COUPLING	N12742	STAINLESS STEEL 1 /4 X 20 HEX NUT