



# PREMIUM BOATING ACCESSORIES FOR SAIL & POWER



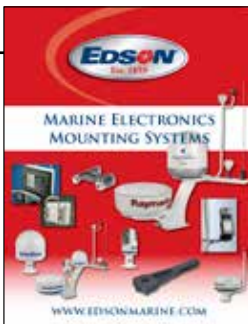
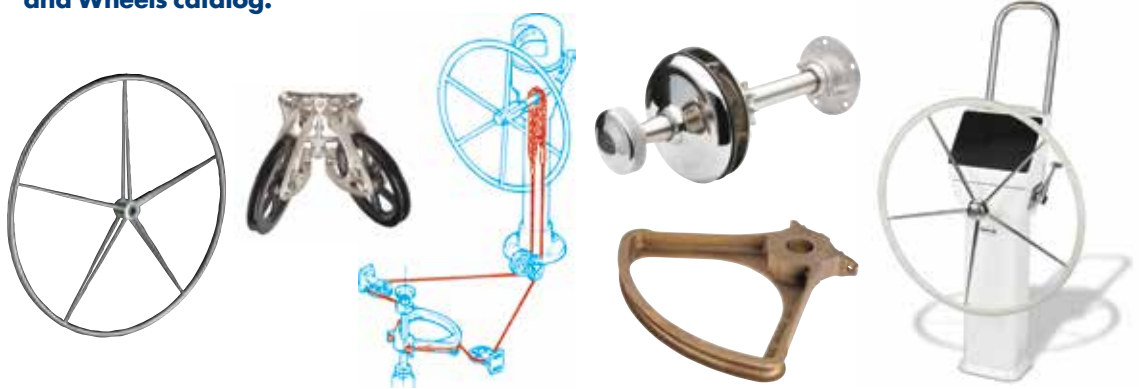
[WWW.EDSONMARINE.COM](http://WWW.EDSONMARINE.COM)



## Sailboat Steering & Wheels

Our complete line of Steering Systems and Wheels for Sailboats is featured in this catalog, covering Pedestals, Chain & Wire, Quadrants, Sheaves, Engine Controls, Wheels and much more.

**For more information visit [edsonmarine.com](http://edsonmarine.com) or request our **Sailboat Steering Systems and Wheels** catalog.**



## Electronics Mounting Systems

Our complete line of Navcom Mounts, Instrument Housings and Accessories allow you to mount your Radar, Chartplotter, GPS, Satellite Domes, Cameras, Search Lights, Antennas and more on your sail or power boat.

**For more information visit [edsonmarine.com/navcom](http://edsonmarine.com/navcom) or request our **Marine Electronics Mounting Systems** catalog.**



## Marine Pumps and Pump Out Systems

Since 1859, Edson has built pumps for marine use. From the very first Diaphragm pump to our modern pump out systems, we offer a full selection of pump and pumping products for your boat or marina.

**For more information visit [edsonmarine.com/pumps](http://edsonmarine.com/pumps) or request our **Pump Out Systems** Catalog.**

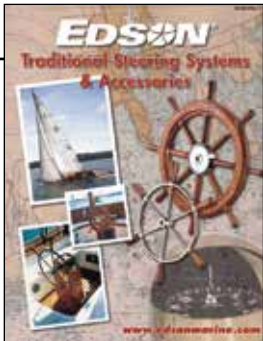




## Powerboat Wheels & Accessories

Our full line of Powerboat Wheels, Power Knobs, Drink Holders and Accessories are regarded as the finest in the industry and will add style and elegance to any powerboat.

**For more information visit [edsonmarine.com](http://edsonmarine.com) or request our Powerboat Products Catalog**



## Traditional Yacht Wheels and Systems

Edson's Traditional Steering Systems and Accessories catalog offers a host of gear for the traditional sailboat. Worm Gears, Rack and Pinion Steers, Teak and Bronze Steering Wheels. Also included are Edson's Traditional Bronze Housemarkers and a host of Accessories for the traditional boatowner.

**For more information visit [edsonmarine.com/traditional](http://edsonmarine.com/traditional)**



## BioFresh Environmental Products

Edson BioFresh products contain naturally occurring, beneficial microbes that break down and consume oils, gas, grease, diesel fuel and human & animal waste found in bilges, marinas, lakes and rivers. Holding Tank Packets, Oil Eradicator Bilge Pads, Booms and Clean Up Kits all help keep your boat naturally clean and odor free - while protecting our environment from harsh chemicals.

**For more information visit [edsonmarine.com/biofresh](http://edsonmarine.com/biofresh)**

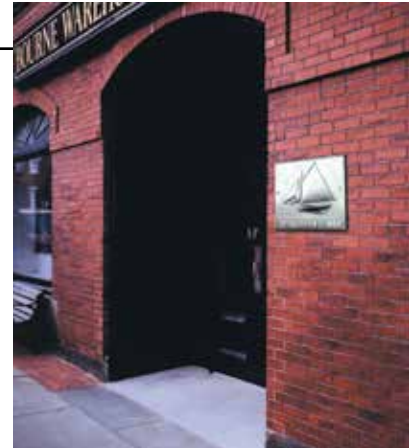


## Bronze Housemarkers

Edson's Traditional Bronze Housemarkers are an excellent way to add classic beauty to any home or business entryway. When allowed to age naturally, each Housemarker will acquire a classic patina.

Cast from hand-carved patterns, these plaques represent six traditional East Coast sailing vessels from the late 19th and early 20th century, as well as a Striped Bass, a classic lobster boat and a nautical compass rose. Each is modeled to scale, in full relief and shows details of the actual vessel or fish.

The Edson/Anbar Foundry has hand cast and tumbled the bronze plaques to a low-lustre finish ready to be engraved to your specifications. Bronze mounting screws are included and engraving is available in Roman typeface for an additional charge. Please include clear engraving instructions with your order. 15 characters maximum, including spaces. Please allow 3-4 weeks for delivery. Engraving charges extra.



[www](http://www.edsonmarine.com/housemarkers) Visit [www.edsonmarine.com/housemarkers](http://www.edsonmarine.com/housemarkers) to download an engraving order sheet.



**Beetle Cat**  
Order #3205  
10" x 12-3/8"



**Lobster Boat**  
Order #3207  
14-1/4" x 8-1/2"



**Friendship Sloop**  
Order #3202  
10" x 10"



**Herreshoff 12 1/2**  
Order #3206  
9-7/8" x 11-1/2"

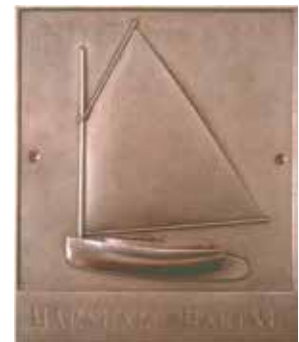


**Mount on Your Home Deck!**



**Great Gift Idea!**

**Compass Rose**  
Order #3150  
9" diameter



**Cape Cod Catboat**  
Order #3201  
9" x 11"



**Chesapeake Bay Skipjack**  
Order #3203  
10" x 9-1/2"



**Striped Bass**  
Order #3204  
14-7/8" x 8-1/2"



**Tancook Whaler**  
Order #3200  
10" x 9-1/2"



## Cast Nautical Stars

Great Gift Ideas!

These classic Nautical Stars are cast in stainless and are highly polished for a gleaming silver look. They are perfect for plaques, add a nautical touch to homes when mounted to railing posts or doors, or make a great desk paper weight for your favorite boater. Dress up your boat's transom on either end of your boat's name - it will make her shine! Don't just name a star after someone, give them their very own! Any where you want that classic nautical look, these stars are the perfect accessory.

Available in 4" (102mm), 5" (127mm) and 6" (152mm) diameters and each has a 1/4" threaded hole in the back center for mounting. Navy blue Corian® mounting available at extra charge.

**4" Polished Stainless Nautical Star - Order #3300ST-4**

**5" Polished Stainless Nautical Star - Order #3300ST-5**

**6" Polished Stainless Nautical Star - Order #3300ST-6**

**6" Polished Bronze Nautical Star - Order #3300BR-6**

**Ideal for:**

- Award Plaques
- "Nautical" Home Railing Posts
- Boat Transom Names
- Paper Weights
- Door Decorations
- The Perfect Gift for Any Boater



Learn more at [www.edsonstars.com](http://www.edsonstars.com)

## Edson Bronze Spline Weights

Edson is pleased to present Bronze Spline Weights for use by yacht designers, boatbuilders, and design students. These classic design tools are used in conjunction with long, flexible battens or 'splines' to draw fair curves while drawing a boat's lines and during the lofting process.

The past is present. This yacht design tool of a bygone era is a proven invaluable tool for design students in the computer age. They are also a practical tool for boat builders, as generating full size plans for construction often requires ducks and battens on the lofting floor. They also make a great gift item, paperweight or conversation piece.

Edson's version of the timeless tools are cast in our own New England foundry and feature a padded felt bottom and the traditional "duck" or "whale" design. They have side indents for easy handling, as well as a slightly raised "tail" for lifting and repositioning. Each one weighs 3 lbs., 10oz. (1.65kg) and are 7-1/4" long x 1-7/8" wide.

**Set of Six Bronze Spline Weights - Order #3500-set**

**Individual Bronze Spline Weight - Order #3500-1**

- Solid Cast Bronze
- Padded felt bottom
- Side Indents for easy handling
- Raised 'tail' for lifting and repositioning
- Weight : 3lbs., 10oz.
- Dims: 7-1/4" long x 1-7/8" wide



# Cockpit Tables

Edson's Cockpit Tables increase the versatility of your Edson Pedestal and turn the cockpit into the social center of your boat. The many different styles available are all constructed of Solid Teak or White Poly and come complete with stainless mounting hardware. Edson's Cockpit Tables have earned the reputation as the highest quality, best built tables on the market!

## Fold-Down Drop-Leaf Tables

**Edson's Fold-Down Drop-Leaf Tables** turn your cockpit into a comfortable dining area. They fold down and clip against the guard when not in use. By simply swinging the table up and clipping the formed wire brackets into place, the table is ready for use.

**DIMENSIONS - Teak:** Closed 27" x 13" (686mm x 220mm)  
 Open 27" x 26" (686mm x 661mm)  
**Poly:** Closed 26" x 15" (660mm x 381mm)  
 Open 26" x 30" (660mm x 762mm)



Shown varnished - tables are supplied unvarnished.



**NEW!**  
 Now Featuring  
 Clamp-On Table  
 Hardware - No  
 Drilling Required!



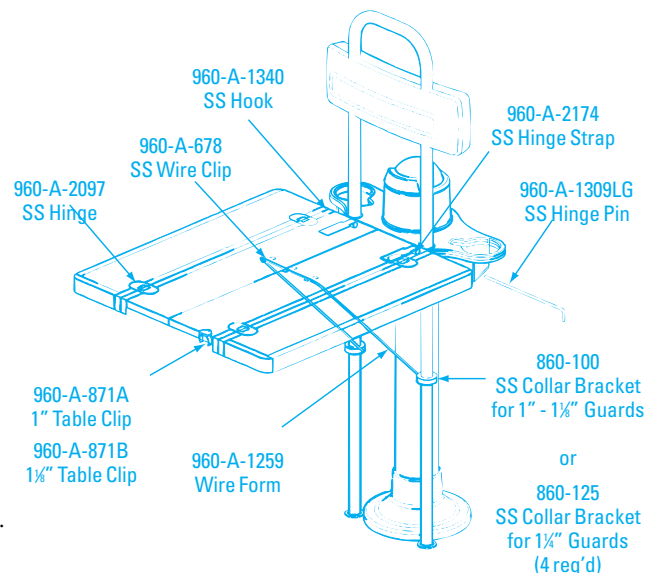
#737WH

### Edson Teak Tables :

- Solid Teak Construction
- Easily removable for storage
- Installs in minutes
- Non-Magnetic Stainless Hardware
- No Legs to get in the way!
- Quick-Release pin for easy removal.
- All Fasteners are Stainless and Bunged.
- Clip holds Table firmly to Pedestal Guard when folded down.
- Natural Teak, ready for the finish of your choice.

### Edson Poly Tables:

- Constructed of solid, UV Stable white marine-grade polythylene.
- Non-Magnetic Stainless Hardware
- Easily removable for storage.
- No Legs to get in the way!
- All Stainless Fasteners
- Will not rot, swell or delaminate when exposed to humidity or moisture.
- Scuff and scratch resistant.



## Fold-Down Luncheon Tables



Teak Luncheon Table - #761TK - see ordering guide for options

Edson's Fold-Down Luncheon Tables are designed to offer a very handy table to fit smaller cockpits and are an ideal cockpit cocktail table. Measuring 13½" x 24" (34.3 x 61 cm) and equipped with fiddle rails on both sides and ends, the Luncheon Table is available in both Teak and White Poly. When not in use, the table folds flat against the guards or can be easily removed from its guard mounted strap by pulling out the hinge pin. Comes complete with all mounting hardware.



Also available with hardware for Console or Vision Series Pedestal Mounting (see ordering guide)



White Poly Luncheon Table - #761WH

## Spare Table Clips

Edson's Fold-Down Tables can be stowed right at the pedestal. By simply swinging the table up and clipping the wire form into place, the table is ready for use. The Fold-Down Tables feature a quick release pin for complete removal. All Edson Fold-Down Tables also come complete with **Edson's Table Clip** to hold the table securely against the guard when table is down.

**Two Spare Table Clips -**  
**1" - Order #960-A-871-A**  
**1½" - Order #960-A-871-B**



### EDSON COCKPIT TABLE ORDERING GUIDE

Description	Weight Each	Order #
<b>Teak Fold Down Drop Leaf Tables</b>		
For Edson 9½" Guard (1" and 1-1/8" dia. pipes)	25 lbs (11.3 kg)	737TK-95-28
For Edson 9½" Guard (1-1/4" dia. pipes)	25 lbs (11.3 kg)	737TK-95-28-125
For 12½" Guard (1" and 1-1/8" dia. pipes)	25 lbs (11.3 kg)	737TK-125-28
For Vision Series / Console Pedestals	25 lbs (11.3 kg)	737TK-C-28
<b>White Poly Fold Down Drop Leaf Tables</b>		
For Edson 9½" Guard (1" and 1-1/8" dia. pipes)	34 lbs (15.4 kg)	737WH-95-28
For Edson 9½" Guard (1-1/4" dia. pipes)	34 lbs (15.4 kg)	737WH-95-28-125
For Vision Series / Console Pedestals	34 lbs (15.4 kg)	737WH-C-28
<b>Teak Fold Down Luncheon Tables</b>		
For Edson 9½" Guard (1" and 1-1/8" dia. pipes)	13 lbs (5.9 kg)	761TK-95
For Edson 9½" Guard (1-1/4" dia. pipes)	13 lbs (5.9 kg)	761TK-95-125
For Vision Series / Console Pedestals	13 lbs (5.9 kg)	761TK-C-28
<b>White Poly Fold Down Luncheon Tables</b>		
For Edson 9½" Guard (1" and 1-1/8" dia. pipes)	16 lbs (7.3 kg)	761WH-95
For Edson 9½" Guard (1-1/4" dia. pipes)	16 lbs (7.3 kg)	761WH-95-125
For Vision Series / Console Pedestals	16 lbs (7.3 kg)	761WH-C-28



## Cast Stainless Drink Holders



- Cast from solid marine-grade 316 stainless.
- Available in single, double or triple versions.
- Available with cast stainless brackets for mounting to Edson Steering Pedestal Guard Pipes, within easy reach of captain and crew.
- Also available either alone, for mounting to a flat surface or mounted to a base (white poly or unvarnished teak) for easy portability to a convenient location anywhere on the boat.
- Designed to fit Koozies, cans, mugs and large cups up to 3-3/8" in diameter.
- Elegant design features an open frame to accommodate coffee cup handles.
- Sit 3" high when installed and are highly polished in Edson's classic "boat jewelry" style.
- Well-rounded edges and a sleek design will look great on any boat.
- For installation, an installed threaded stud allows a secure through bolt installation and a locator stud (on single and double versions) keeps them from turning once in place. And since they are cast in marine-grade stainless they won't rust, bend or break.



Threaded stud for mounting and locator pin to keep from rotating. Rubber Gasket, Washer and nut included.



### STAINLESS DRINK HOLDER ORDERING GUIDE

Order #	Description	Wt lbs (kg)
878ST-1	Stainless Single Drink Holder	.5 (.22)
878ST-1V	Stainless Single Drink Holder - Vertical Mount	.5 (.22)
878WH-1	Stainless Single Drink Holder - White Poly Base	1 (.45)
878TK-1	Stainless Single Drink Holder - Teak Base	1 (.45)
878ST-2	Stainless Double Drink Holder	1 (.45)
878WH-2	Stainless Double Drink Holder - White Poly Base	1.5 (.68)
878TK-2	Stainless Double Drink Holder - Teak Base	1.5 (.68)
878ST-3	Stainless Triple Drink Holder	2 (.9)
878WH-3	Stainless Triple Drink Holder - White Poly Base	3 (1.4)
878TK-3	Stainless Triple Drink Holder - Teak Base	3 (1.4)
878WH-3-95	Stainless Triple Drink Holder - White Poly Base - Guard Mount	3.5 (1.6)
878TK-3-95	Stainless Triple Drink Holder - Teak Base - Guard Mount	3.5 (1.6)

NOTE: Guard Mount hardware is designed to fit 1", 1-1/8" and 1-1/4" guard pipes.



## Clamp-On Drink Holders

Edson's new **Stainless Clamp-On Drink Holders** are cast from solid marine-grade 316 stainless and come in single and double versions. They are available with cast stainless brackets for mounting to Edson Steering Pedestal Guard Pipes. Edson's new drink holders are designed to fit Koozies, cans, mugs and large cups up to 3-3/8" in diameter. The elegant design also features an open frame to accommodate coffee cup handles. The drink holders sit 3" high when installed and are highly polished in Edson's classic "boat jewelry" style. They also feature well-rounded edges and a sleek design that will look great on any boat.



#878WH-2-125

#878WH-1-125



#878TK-1-125

#878TK-2-125

Item	Order #
Single Clamp-On Drink Holder - White Poly	878WH-1-125
Double Clamp-On Drink Holder - White Poly	878WH-2-125
Single Clamp-On Drink Holder - Teak	878TK-1-125
Double Clamp-On Drink Holder - Teak	878TK-2-125

## Hardware Kits for Do-It-Yourselfers

Edson's "Hardware Only" Kits are for the handyman who wishes to design and build his own cockpit table or accessories based on Edson's tried and true designs. Select the size table you prefer and match with the hardware shown here. All kits are complete with instructions and stainless hardware.



#859-8



#860-125



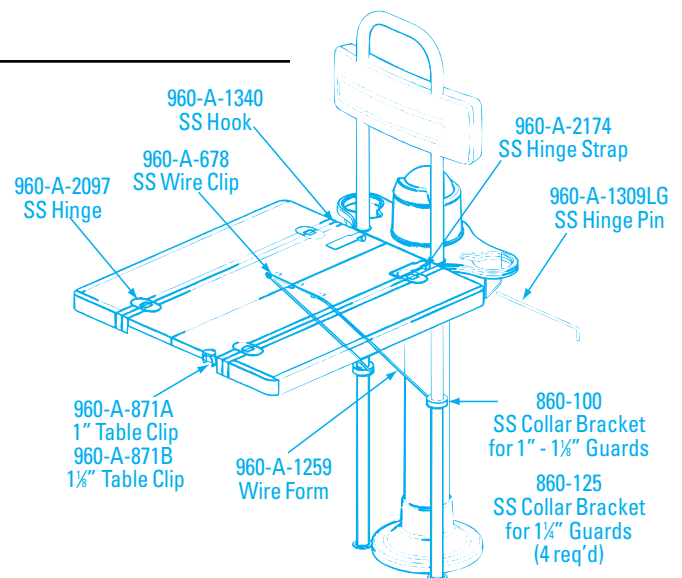
#785-761 Table Hardware



#960-B-1280



#860-100



### HARDWARE KIT ORDERING GUIDE

Order #	Used On	Wt lbs (kg)
785-737-95	#737 Drop Leaf Table w/ 9.5" Guards (includes Hinges)	3 (1.4)
785-737-125	#737 Drop Leaf Table w/ 12.5" Guards (includes Hinges)	3 (1.4)
785-737-95-125	#737 Drop Leaf Table w/ 9.5" Guards and 1 1/4" dia. (includes Hinges)	2 (.9)
785-761-95	#761 Luncheon Tables w/ 9.5" Guards	2 (.9)
785-761-125	#761 Luncheon Tables w/ 12.5" Guards	3 (1.4)
785-761-95-125	#761 Luncheon Tables w/ 9.5" Guards and 1 1/4" dia.	2 (.9)
785-761-C28	#737 Drop Leaf and #761 Luncheon Tables for Consoles	2 (.9)
859-8	All Glass Holders	.2 (1.1)
860-100	Clamp-On Table Mounting Hardware for 1" - 1 1/2" Guards	.17 (.3)
860-125	Clamp-On Table Mounting Hardware for 1 1/4" Guards	.17 (.3)
960-B-1280	Console Table Mounting Bracket	.25 (.12)

# Steering Wheel PowerKnobs

## Pro-Series PowerKnob™



Edson's PowerKnobs strap or bolt onto the rim of virtually any make of steering wheel. With the feel of precision engineering, twin races of fast action Delrin® ball bearings and a comfortable ergonomic shape, it is possible to effortlessly maneuver any boat, from a flats boat, center console or runabout to a sportfish, motoryacht or trawler with the Edson PowerKnob.

### Loaded with Benefits:

- Helps you back down with precision and confidence.
- Comfortable ergonomic shape.
- Gives your helm the look and feel the pro's love.
- Makes big turns Quick and Effortless.
- No more hand-over-hand steering!
- All tools needed for installation are included.
- Ideal for hydraulic and cable steering systems.

### Filled with Features:

- Stainless Knob is hand polished to a mirror finish.
- Teak Knob built of same high quality stainless components.
- Fits all wheel rims from 5/8" to 1 1/8" diameter.
- Twin races of super smooth Delrin® ball bearings.
- 25 Year Warranty.\*
- Knob can be strapped or bolted on to wheel rim\*\*.

### Available In:

- ComfortGrip™ Stainless
- Polished Stainless
- Black Composite - Sportsman™ Series

\* On Pro-Series models only. Warranty excludes straps, colors and finishes.

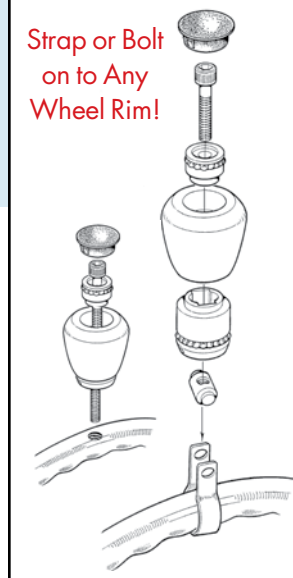
\*\* Bolt-on version for solid wheel rims only.



*"Out in the flats it always seems I need three hands. The Edson PowerKnob lets me easily steer one-handed, leaving a hand free for the throttle, a rod, net, or to reach for my pliers. This wheel looks like a piece of jewelry, but it's built like a tank."*

Capt. Lindsay Harper, Flats Guide  
Key West, FL

Strap or Bolt  
on to Any  
Wheel Rim!



## ComfortGrip™ PowerKnob

We've taken all the features of our proven Stainless PowerKnob and added rubber finger grips for even greater comfort and control! Soft rubber insert will stand up to the harshest environments without cracking or discoloring. A great addition to any wheel, it particularly compliments our ComfortGrip Steering Wheel.

**Stainless ComfortGrip ..... #969ST-18CG**



## ProSeries™ PowerKnob

Edson's classic Stainless Powerknob is hands-down the best available on the market today. Available in three different finishes to compliment any boat, this is one accessory you won't know how you lived without.

**Stainless ProSeries ..... #969ST-18**



## Sportsman Series™ PowerKnob

As a follow-up to its extremely popular Stainless Pro-Series PowerKnob line, Edson's rugged and economical Sportsman Series™ PowerKnob features the same ball-bearing design and ergonomic shape as the ProSeries. The Sportsman Series Knob is built of black polymer and marine-grade stainless with precision milled bearing races.

**Composite Sportsman Series ..... #967-18BL**



### EVERYTHING YOU NEED IS INCLUDED!

- PowerKnob
- Two Wheel Straps
- Allen Wrench
- Mounting Bolt

## Wheel Storage Device

- **Make more room in your cockpit when you're not sailing!**
- Store your wheel out of the way with Edson's Wheel Storage Device.
- Investment cast 316 stainless, polished to a mirror finish
- Can be mounted vertically or horizontally to any 1" or 1 1/4 diameter pushpit, railing or stanchion.
- Check your wheel for a straight or tapered hub.

**Straight Hub Wheel Storage Device Only - Order #683-1S**

**Straight Hub/Quick Nut Combo (3/4"-10 nut) - Order #680-3/4-10S**

**Straight Hub/Quick Nut Combo (1"-14 nut) - Order #680-1-14S**

**Tapered Hub Wheel Storage Device Only - Order #683-1T**

**Tapered Hub/Quick Nut Combo (5/8"-18 nut) - Order #680-5/8-18T**



Straight Hub Wheel Storage Device #683-1S

w/ Quick Release Wheel Nut #680

Tapered Hub Wheel Storage Device #683-1T

## Wheel Nuts

Attention to detail is the keynote of these Edson Wheel Nuts. Available in highly polished Investment Cast 316 Stainless or traditional Polished Brass. Measure your steering shaft thread for the correct size.

**Stainless Wheel Nut with 1"-14 Shaft Threads - Order #673ST-1-14**

**Stainless Wheel Nut with 3/8"-18 Shaft Threads - Order #673ST-3/8-18**

**Stainless Wheel Nut with 3/4"-10 Shaft Threads - Order #673ST-3/4-10**

**Stainless Wheel Nut Kit (for 1", 5/8", 1/2" & 12mm) - Order #673ST-KIT**

**Brass Wheel Nut with 1"-14 Shaft Threads - Order #673BR-1-14**

**Brass Wheel Nut with 3/8"-18 Shaft Threads - Order #673BR-3/8-18**

**Brass Wheel Nut with 3/4"-10 Shaft Threads - Order #673BR-3/4-10**

**"Star" Nut for thru-shaft brake steerers - Order #960-A-2105**



Stainless Wheel Nut #673ST



Brass Wheel Nut #673BR



"Star" Nut #960-A-2105

## Quick Release Wheel Nuts

Want to get your wheel out of the way to give you more room in your cockpit at anchor or at the dock? It's easy with Edson's New Quick Release Wheel Nut. Simply give the knurled knob a few turns and pull the wheel off the shaft. No need for other tools or wrenches. Large 2 1/2" diameter provides easy grip. Highly polished Investment Cast 316 Stainless has superior strength as well as good looks. **Not for use with thru-shaft brakes.**

Wt. 1 lb (.45 kg).

**Quick Release Nut with 1"-14 Shaft Threads - Order #826ST-1-14**

**Quick Release Nut with 3/8"-18 Shaft Threads - Order #826ST-3/8-18**

**Quick Release Nut with 3/4"-10 Shaft Threads - Order #826ST-3/4-10**



### IMPORTANT!

#### Important Ordering Information

Many Edson pedestals produced after January 2000 use wheel nuts with 3/8"-18 shaft threads; Edson pedestals built from 1979-1999 use wheel nuts with 1"-14 shaft threads; Edson and Yacht Specialties Pedestals dating prior to 1979 use wheel nuts with 3/4"-10 shaft threads. If your boat was built on or around the year 2000, please check the measurement of your shaft carefully.



# Leather Wheel Rim Covers

## Deluxe Leather Wheel Covering Kits



Great Gift Idea!



Edson's do-it-yourself Leather Wheel Covering kits look great and make any wheel softer and warmer to the touch. Each kit includes a pre-punched leather cover, double sided sticky tape, thread, needle and complete instructions. Measure the diameter of your steering wheel and choose from the ordering guide below. Available Dove Gray. Wt. 1.5 lbs (.68 kg)

## "Comfort Grip" Leather Wheel Covering Kits



Create your own luxury steering wheel with Edson's exclusive "Comfort Grip" Leather Wheel Covering Kit. "Comfort Grip" cushions the wheel and has contoured finger grips on the inside of the wheel rim. Measure the diameter of your steering wheel and choose from the ordering guide below. Available in Dove Gray. Wt. 2.2 lbs (1 kg).



Only Edson uses Orthopedic Grade Cowhide - considered to be the highest quality leather available. It stays supple even when subjected to harsh marine environments!

### LEATHER WHEEL RIM COVER ORDERING GUIDE

Leather Wheel Rim Covers for Edson Flat Destroyer Wheels with older 7/8" diameter oval shaped rims and Diamond Series Wheels (see diagram below)

WHEEL DIAMETER	GRAY LEATHER KIT	GRAY LEATHER COMFORT GRIP KIT	GRAY LEATHER INSTALLED	GRAY LEATHER COMFORT GRIP INSTALLED
up to 20"	#733-15-20-GR	#733CG-15-20-GR	#716-15-20-GR	#716CG-15-20-GR
22" - 30"	#733-22-30-GR	#733CG-22-30-GR	#716-22-30-GR	#716CG-22-30-GR
32" - 40"	#733-32-40-GR	#733CG-32-40-GR	#716-32-40-GR	#716CG-32-40-GR
42" - 60"	#733-42-60-GR	#733CG-42-60-GR	#716-42-60-GR	#716CG-42-60-GR
62" - 72"	#733-62-72-GR	#733CG-62-72-GR	#716-62-72-GR	#716CG-62-72-GR

Leather Wheel Rim Covers for Edson Dished Destroyer Wheels (#645 and #647) or wheels with 1" diameter "D" shaped rims (see diagram below)

WHEEL DIAMETER	GRAY LEATHER KIT	GRAY LEATHER COMFORT GRIP KIT	GRAY LEATHER INSTALLED	GRAY LEATHER COMFORT GRIP INSTALLED
up to 20"	#733CG-15-20-GR1	#733CG-15-20-GR1	#716-15-20-GR1	#716CG-15-20-GR1
22" - 30"	#733-22-30-GR1	#733CG-22-30-GR1	#716-22-30-GR1	#716CG-22-30-GR1
32" - 40"	#733-32-40-GR1	#733CG-32-40-GR1	#716-32-40-GR1	#716CG-32-40-GR1
42" - 60"	#733-42-60-GR1	#733CG-42-60-GR1	#716-42-60-GR1	#716CG-42-60-GR1
62" - 72"	#733-62-72-GR1	#733CG-62-72-GR1	#716-62-72-GR1	#716CG-62-72-GR1

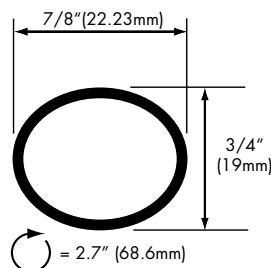


### IDEA

#### LET EDSON DO THE JOB FOR YOU!

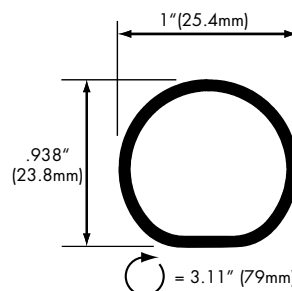
When ordering a new wheel, request an Installed Leather Cover or send us your existing wheel, and Edson will install the Leather Wheel Cover for you—we will even provide a loaner wheel up to 40". See Ordering Guide above for information.

### OLDER "OVAL SHAPED" 7/8" RIM (PRE-2000)



\*Not shown actual size

### NEWER "D SHAPED" 1" RIM



## Leather Spreader Boot Kits



- Custom-cut, hand-stitched Leather
- Will protect your sails from costly tears and chafe, providing you peace of mind at sea.
- Leather has been used by mariners for centuries to prevent premature wear of their sails.
- Will easily outlast and outperform materials of lesser quality, like rubber or tape, when exposed to sun and salt in the harsh marine environment.
- Each kit includes two pre-punched Dove Gray Leather Spreader Boot Covers, heavy waxed polyester thread for lacing, hand-stitching needle and instructions.

### LEATHER SPREADER BOOT KIT ORDERING GUIDE

Order #	Circumference	Diameter	Size
#1401-1	3 1/8"	1"	Small
#1401-2	6 3/4"	2"	Medium
#1401-3	9 1/2"	3"	Large

## Leather Turnbuckle Covers

Edson's Leather Turnbuckle Covers add a distinctive look while protecting your lines and sails from premature wear.

- These high quality turnbuckle covers will not crack or deteriorate like plastic and offer more complete coverage, are better looking and longer lasting than tape.
- Add the look and feel that only comes with leather.
- Available in Dove Gray
- They are attached and removed easily with pre-fastened, industrial grade hood-and-loop strips.
- Sold individually.

### LEATHER TURNBUCKLE COVER ORDERING GUIDE

Order #	Fits Turnbuckles	Dimensions	Size
#1405-12	3/8"	1" x 12"	Small
#1405-14	1/2"	1 1/2" x 18"	Medium
#1405-24	3/4"	1 3/4" x 24"	Large



## Leather Shackle Pulls



When hands are cold, tired and wet, sometimes they need a little assistance with stubborn snap shackles and sticky zippers. Edson's custom-cut Dove Gray Leather Shackle Pulls are durable and the "whale tail" design prevents them from coming undone. Attach them to anything you need to get your hands on quickly. Snap shackles and blocks, zippers on your foul weather gear, luggage zippers, cushion zippers,

quick-release pins - you name it and you will wonder how you got this far without them. Sold in packages of 10.

**Edson Leather Shackle Pulls (Package of 10) - Order #1404-5**

## Leather Chafing Gear

Edson's Leather Chafing Gear is ideally suited for protecting mooring lines, anchor rodes, dock lines and spreader tips.

### DOVE GRAY LEATHER

**2 1/2 Sq. ft - Order #858GRAY-2.5**

**5 1/2 Sq. ft - Order #858GRAY-5.5**

**11 Sq. ft - Order #858GRAY-11**

**22 Sq. ft - Order #858GRAY-22**



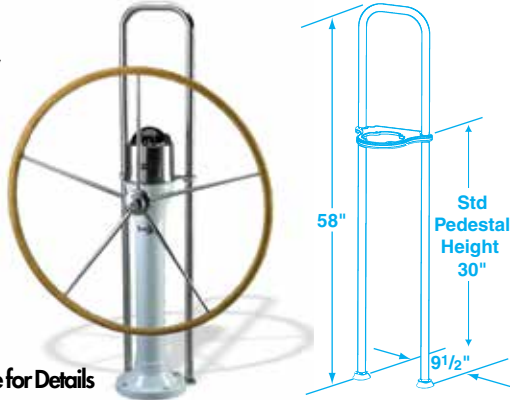
Edson's Pedestal Guards are designed to protect your compass and to provide a firm handhold for your crew. The Guard is narrow enough for crew members to slide by and it affords extra protection on those boats with a mainsheet traveler just forward of the pedestal.

- Marine-Grade Stainless Construction
- Provides the ability to mount convenience items such as Cockpit Tables, Drink Holders, Chart Board, Instrument Housings, etc.
- All Edson Guard Kits come complete with Stainless Guard Tube, Stainless Top Plate and Stainless Guard Feet.
- Three versions to accommodate various instrument and housing combinations.
- Extra Large 1 1/8" Diameter Tubing on 9 1/2" (24.1 cm) wide centers gives more space for instrument wiring.

## 58" Straight Guard

Provides protection for your compass, a convenient handhold and the ability to mount Instrument Housings, Radar Pods or multiple displays while increasing their visibility.

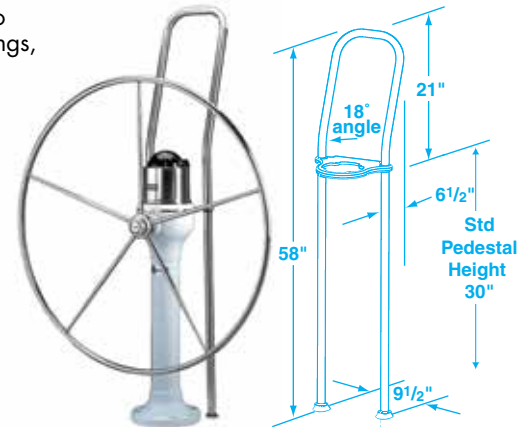
**Order #1600**  
See Ordering Guide for Details



## 58" Angled Guard

Gives you extra room to install Instrument Housings, Radar Pods or multiple displays while the new angle increases their visibility.

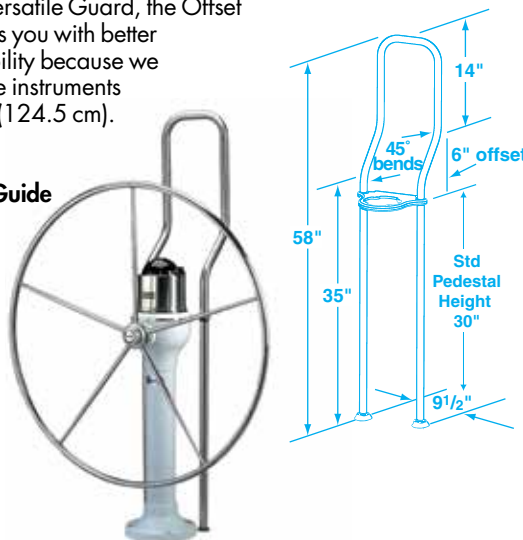
**Order #1620**  
See Ordering Guide for Details



## 58" Offset Guard

Edson's most versatile Guard, the Offset Guard provides you with better instrument visibility because we have moved the instruments forward by 7" (124.5 cm).

**Order #1610**  
See Ordering Guide for Details



### Replacement Stainless Top Plates and Guard Feet



**Stainless Top Plate**

Included with all Pedestal Guard Kits, Edson's **Stainless Top Plate** is made of Investment-cast 316 Stainless and polished to a mirror finish. It will accommodate 1", 1-1/8" and 1-1/4" pedestal guard tubing on 9-1/2" centers with the provided plastic bushings. These also provide rattle-free isolation between the stainless tubes and top plate, making removal in the future easier. It can be ordered separately, so you can upgrade your older pedestal with the white aluminum version.

#### Stainless Top Plate Only

For 335 & 336 Pedestals - Order #1625ST-45  
For #400, 402 & 464 Pedestals - Order #1625ST-6



**Stainless Guard Feet Kit - Order #310ST-100-125**

#### Stainless Guard Feet

Can also be ordered in pairs as a direct replacement for Edson's black plastic feet. Gasket and bushing allow for mounting 1", 1-1/8" or 1-1/4" guard pipes. Nuts and washers included.

### PEDESTAL GUARD KIT ORDERING GUIDE

Edson Pedestal Guard kits come complete with Stainless Guard Pipe, Top Plate and Feet. All are 9 1/2" wide on center. The Guard Top Plate fits directly on top of the Pedestal or Engine Control. The diameter of the Pedestal Bowl defines the proper kit size to order.

To Fit Pedestal	Pedestal Bowl Top Dia.	Order #			Stainless Top Plate Only
		58" Straight Guard Kit (Each includes Stainless Top Plate and Feet)	58" Offset Guard	58" Angled Guard	
335, 336, 337	6 1/4" (17.2 cm)	1600-45-58S	1610-45-580S	1620-45-58A	1625ST-45
400, 402, 464 CDi Classic	8" (20.3 cm)	1600-6-58S	1610-6-580S	1620-6-58A	1625ST-6
<b>1 1/8" Guard Pipe Only</b>	N/A	960-B-781	960-B-782	960-B-784	N/A
<b>SS Guard Feet Only</b>	N/A	#310ST-100-125 (for all sizes)			N/A

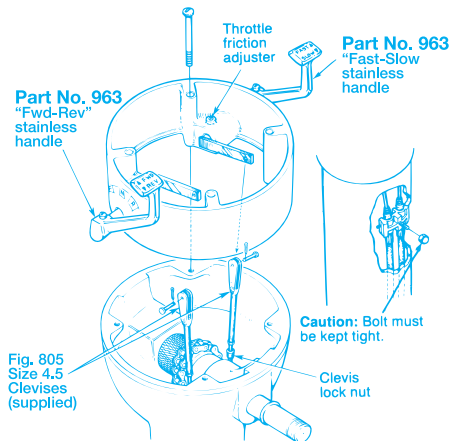
# Engine Controls - Dual Lever

**Edson's Standard Clutch and Throttle Control** features matching stainless control handles which are conveniently located on each side of the pedestal and are clearly marked for "Forward" and "Reverse", "Fast" and "Slow". For precision speed control there is a Throttle Friction Adjustment Screw inside the housing. This control is easy to install and can be used with any transmission that uses 33 Series (Edson #734) cables such as: Hurth and Borg Warner Velvet Drive Transmissions typically found on Universal, Ford Lehman, Yanmar and Westerbeke engines. *This control should only be used where pulling on the clutch cable end engages the transmission in forward gear. If the opposite occurs, the #816 shown below should be used.*

**Clutch & Throttle Control for 334, 335, 336 & 337 Pedestals - Order #870ST-45**  
**Clutch & Throttle Control for 400, 402 & 403 Pedestals - Order #870ST-6**



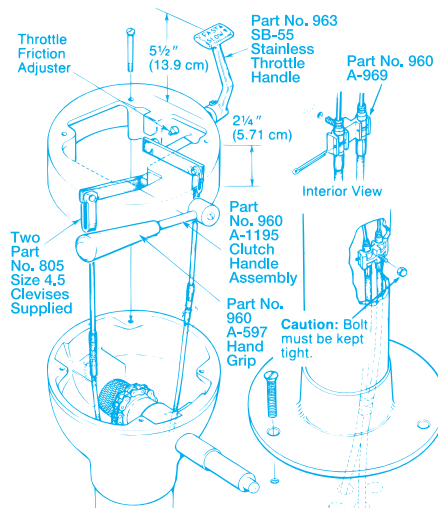
**#870ST Engine Control** includes Clutch and Throttle Control Housing, Stainless Handles, Clevises, Cable Holder, and all necessary hardware.



**GO TO**  
 See Page 19 for Engine Control Cables

**Edson Clutch and Throttle Control** is designed for transmissions that go into reverse when the cable is extended at the pedestal end. Also for harder to shift transmissions. Only for transmissions that specify 33 Series (Edson #734) Control Cables. The clutch handle is 6" (152mm) long and is easily operated up and down by reaching over the wheel. The Throttle Handle is polished Stainless and clearly marked for "Fast" and "Slow" speeds. A Throttle Friction Adjustment Screw and a Clutch Travel Limiter are standard features.

**Clutch & Throttle Control for No. 334, 335, 336 & 337 Pedestals - Order #816ST-45**

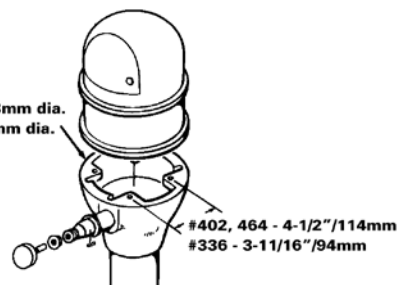


## Tech Tip

### How do I determine which Edson Pedestal I have?

Edson makes two sizes of Classic Pedestals: a 300 Series with 6-7/8" diameter top (often referred to as size 45, since they will hold a compass with a 4" or 5" card), and a 400 Series with 8" diameter top (often referred to as size 6, since they will hold a compass with a 6" card).  
 When ordering pedestal accessories, look for size 45 for 6-7/8" 300 Series Pedestals and size 6 for 400 Series 8" Pedestals.

#402, 464 - 8" / 203mm dia.  
 #336 - 6-7/8" / 174mm dia.



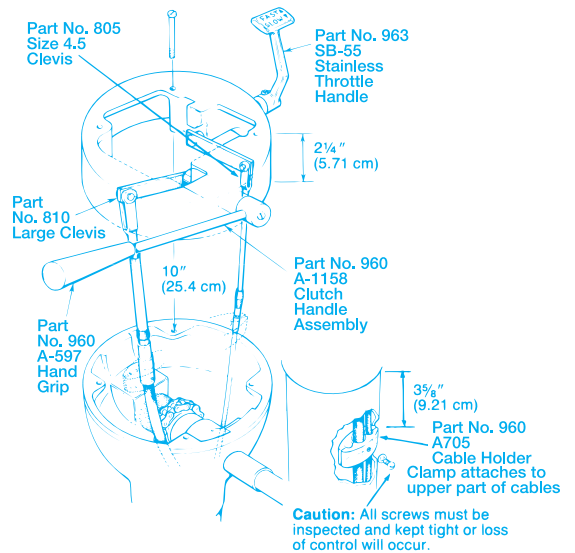


**Edson "Mechanical Shift" Clutch and Throttle Control** is designed for use with 64 Series (Edson #735) Transmission Cables and 33 Series (Edson #734) Throttle Cables. The clutch handle is 10"(254mm) long to provide increased shifting leverage for Atomic 4 and other hard to shift transmissions. The Part No. 963SB-55 Throttle Handle is polished Stainless and clearly marked for "Fast" and "Slow" speeds. A Throttle Friction Adjustment Screw is a standard feature.

**Clutch & Throttle Control for No. 334, 335, 336 & 337 Pedestals – Order #751ST-45**



#751ST Engine Control includes all of the parts shown in the above photo.



**Engine Control Installation Guidelines**

- All Edson Dual Lever engine controls are designed to be used with only those engine transmissions having detents to locate and hold the transmission in gear.
- Lead cables under the deck using a minimum number of bends with a generous radius. The degree of bend in the cable, when all bends are added together, **should not exceed 270 degrees**. Tape or clamp to several structural members to reduce cable lost motion and prevent interference with sheaves and wire rope.
- Cables may be adjusted by screwing the clevises at the engine control or engine end in or out, or by attaching the clevis at a different position on the shift or throttle levers at the engine end.
- If engine vibration causes unwanted throttle movement, adjust throttle friction adjuster.
- Those on board must be familiar with the maintenance and operation of the controls. All screws must be kept tight and cotter pins properly secured.

Type Control	Edson Shift Cable Used	Edson Throttle Cable Used	Max. Clutch Cable Throw	Max. Throttle Cable Throw	Approx. Max. Operator Input for a Properly Adjusted Transmission
#751	#735	#734	3 3/8" (86 mm)	3" (76 mm)	15 to 20 lbs. (6.8 to 9 kg)
#870	#734	#734	3" (76 mm)	3" (76 mm)	5 to 10 lbs. (2.2 to 4.5 kg)
#816	#734	#734	3" (76 mm)	3" (76 mm)	10 to 15 lbs. (4.5 to 6.8 kg)

**Note:** Max. cable throw figures on using Edson's standard 4" (10.2 cm) Column Pedestal.

**Stainless Pedestal Upgrade Kits**

Edson's Stainless Pedestal Upgrade Kit includes all of the pedestal items that have been upgraded from plastic to stainless steel over the years including Guard Feet & Top Plate, Wheel Nut, Engine Control Handles and Brake Knob. Four different models to choose from depending on your pedestal size and engine control handle configuration. See Tech Tip on pg 35 for pedestal sizing information.

**Kit Contents:**

- Stainless Throttle Handle - #963SB-55
- Stainless Clutch Handle - #963PT-55 or Black Plastic Clutch Handle - #960-A-597
- Stainless Wheel Nut (fits 1" or 3/4" threads with insert) - #673ST
- Stainless Top Plate - #1625ST-45 or #1625ST-6
- Stainless Guard Feet - #310ST-100-125
- Stainless Brake Knob - #825ST-1

For 300 Series 6-7/8" Dia. Pedestals - Order #315-870-45

For 300 Series 6-7/8" Dia. Pedestals with Black Clutch Handle - Order #315-751-816-45

For 400 Series 8" Dia. Pedestals - Order #315-870-6

For 400 Series 8" Dia. Pedestals with Black Clutch Handle - Order #315-751-816-6



#315-870



#315-751-816



Buy Online at [www.edsonmarine.com](http://www.edsonmarine.com)

# Engine Controls - Single Lever

Edson's Side-Mount Single-Lever Engine Control provides simple, safe, one-handed operation while maneuvering your boat under power. Mounted on the Pedestal with the choice of three different 1 1/2" diameter Stainless Pedestal Guard Pipes and a stainless Top Plate, it takes up virtually no additional cockpit space and incorporates positioning holes for quick mounting of any of Edson's Teak or Poly Cockpit Tables.

## Features of the Control:

- Single-Lever operation of both the clutch and throttle.
- Comes complete with Morse SL3 Engine Control Mechanism.
- Neutral Lockout—throttle can be operated without engaging transmission.
- Positive detents for transmission.
- Constructed of the highest quality non-magnetic marine-grade materials.
- Cast Aluminum Housing with Glossy White Baked-on urethane finish—matches Edson Pedestals.
- Highly polished investment-cast 316 Stainless Handle.
- Stainless Top Plate, Guard Pipes and Guard Feet Included.
- Mounts to the Edson Pedestal with choice of Three Different Pedestal Guard Pipes.
- Sized to fit 6-7/8" or 8" Edson Pedestal Bowls.
- Fits all Edson Pedestals Classic Style Pedestals with Thru-Shaft Brakes.
- Gasketed Housing—keeps moisture away from mechanism and cables.



Integrated Cockpit Table Positioning Holes allow easy mounting of Edson Teak or Poly Cockpit Tables without drilling.

- Edson Single Lever Engine Controls are also available alone for bulkhead mounting.
- Stainless Handle, Stainless Faceplate and Gasket included
  - Single Lever for intuitive control
  - Uses Series 33 Control Cables
  - Neutral Lock-Out Mechanism Revs Engine for Battery Charging
  - Can mount on any Vertical Bulkhead
- Order #910-SL3-TAPER**



Replacement Cover & Lockout Button  
Order #313-910

### SIDE MOUNT SINGLE LEVER ENGINE CONTROL ORDERING GUIDE

To Fit Edson Pedestal	With 58" Straight Guard Order #	With 58" Angled Guard Order #	With 58" Offset Guard Order #
#336 (6-7/8" Dia. Pedestal Top)	1660-45C-58S	1660-45C-58A	1660-45C-58OS
#402, #464 (8" Dia. Pedestal Top)	1660-6C-58S	1660-6C-58A	1660-6C-58OS

**NOTE:** All sizes come complete with engine control mechanism, handle, housing, stainless top plate, guard pipe and feet. The installer furnishes the appropriate control cables. Not to be used with Atomic 4 or other hard to shift mechanical transmissions. Control must be used with Edson 1 1/2" Guards and Thru-Shaft Wheel Brake.



**GO TO**

**See Page 19 for Engine Control Cables**

## Stainless Engine Control Handles

Order these to upgrade your older Edson controls. Highly polished, marked "Fast-Slow" and "Fwd-Rev". They can be easily retrofitted onto existing Edson engine controls.

**Throttle Handle – Order #963SB-55**  
**Clutch Handle – Order #963PT-55**



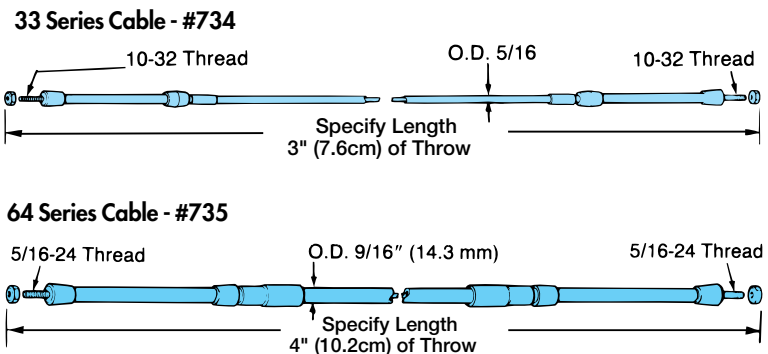
### IMPORTANT

- These handles are only for Edson's Dual Lever Engine Controls.
- Older pedestals with 10-32 engine control shaft threads must be retapped to 1/4"-28 in order to accept the mounting screws supplied with these handles.

## Engine Control Cables

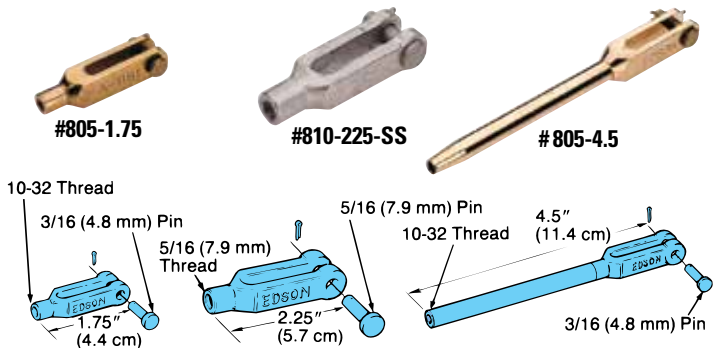
The proper engine control cables will have a dramatic effect on the performance of your engine control. Edson carries only premium, high-efficiency cables that feature a flexible inner core that allow for complex routing without stiffness. Cables are not included with the engine controls because the length varies with each installation. For lengths available see Price Page.

**33 Series Throttle and Clutch Cable - Order #734 (Specify Length)**  
**64 Series Clutch Cable - Order #735 (Specify Length).**



## Engine Control Clevises

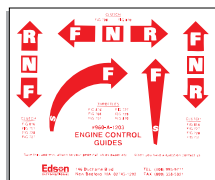
Each engine control is supplied with solid bronze or stainless clevises with clevis pins for the engine control end. Extra clevises for the engine must be ordered separately. #805-4.5 comes standard with #816 and #870 Controls. #810-225 accommodates 64 Series Cables and is included with #751 controls for the gear shift.



## Engine Control Decal

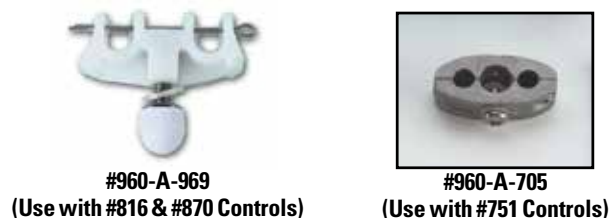
A red decal on your engine controls provides you and your guests with instructions at a glance. It is supplied with all new controls. Order a replacement if yours has become unreadable. Works for all engine controls.

**Order #960-A-1203**



## Engine Control Cable Clamps

**Nylon for 5/16" 33 Series Cable - Order #960-A-969**  
**Aluminum for 9/16" 64 Series Cable - Order #960-A-705**



**#960-A-969**  
 (Use with #816 & #870 Controls)

**#960-A-705**  
 (Use with #751 Controls)

## Self Aligning Bearing

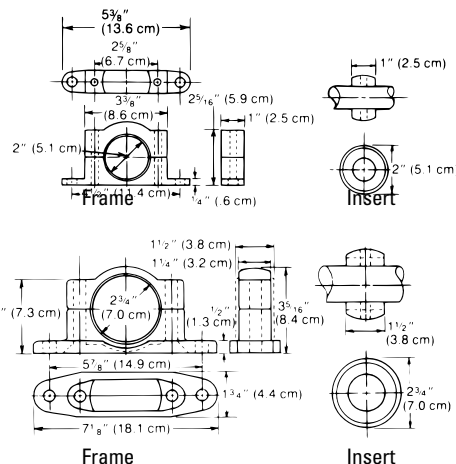
**Edson's Self Aligning Bearing.** Rugged all bronze bearing designed to take rudderpost loads as well as for Steerers and Rack and Pinion shaft bearings when used in conjunction with Part No. 679 Shaft Universals. Very good for all low speed rotating shafts where alignment is a problem (not to be used on propellers on high speed shafts). Part No. 629 Self Aligning Bearings are available in sizes 1" (2.5 cm) to 2" (5.1 cm). See price pages for all available sizes. Weights range from 1.5 lbs (.7 kg) to 5.25 lbs (2.9 kg).

**Self Aligning Bearings - Order #629A or 629B.**

**#629A**  
 Sizes available 1" (2.5 cm) to 3.8 cm diameter.  
 Weight 2 lbs (.9 kg).



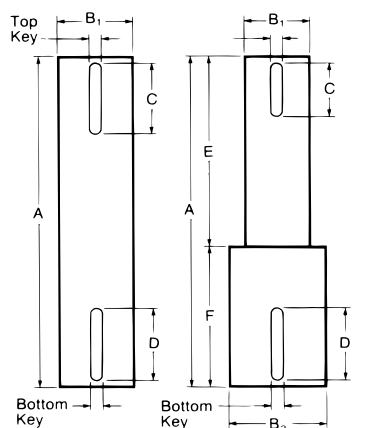
**#629B**  
 Sizes available from 1 1/2" (3.8 cm) to 2" (5.1 cm) diameter.  
 Weight 6 lbs (2.7 kg).



## Rudderpost Extender

**Edson's Rudderpost Extender.** A shaft extension for Rack and Pinion and Worm Steerers where the existing rudderpost is too low in the cockpit. These Extenders are designed for use with Part No. 675 Couplings. Rudderpost Extenders are supplied with keyways at both ends. Type I Extenders have a uniform diameter along their entire length, and Type II Extenders have two diameters as shown. When ordering, specify type and provide sketch showing all dimensions.

**Rudderpost Extender - Order #782, Specify Type I or Type II.**



Type I

Part No. 782

Type II



## Shaft Universal

**Edson's Shaft Universal.** For use with Rack and Pinion Steerers and Worm Steerers. Allows the wheel to be tilted to the most comfortable angle when the rudder is extremely raked. For instructions on its use, see Rack and Pinion and Worm Steering sections. Note that a Part No. 629 Self Aligning Bearing must always be used with the universal. The universal is bored for a 1" shaft, machined with a 1/4" keyway, and has a breaking torque of 15,000 inch-pounds. Each end has a set screw. Universals can change shaft angles up to 30°. For maximum life, they should be packed in grease and booted.

**Wt. 3 lbs (1.36 kg).**

**Shaft Universal - Order #679-100**



## Bronze Shaft Couplings

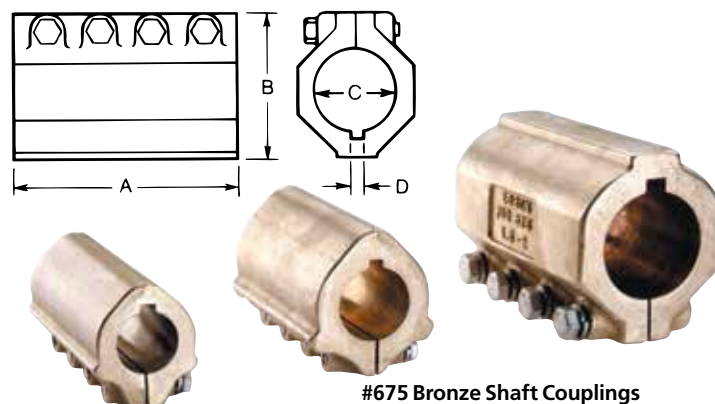
**Edson's Manganese Bronze Shaft Coupling.** Especially handy for connecting in-line steering wheel shafts of the same diameter. Also used with rudderpost extenders on Rack and Pinion and Worm Steerer installations where the existing rudderpost is too low. Fits shaft diameters from 1" to 2" (see Price Page). Wt. 3 lbs (1.36 kg).

**Bronze Shaft Coupling - Order #675 (Specify Shaft Diameter)**

### BRONZE SHAFT COUPLING SELECTION GUIDE

Dim.	Size 1.0 to 1.125	Size 1.25 thru 1.5	Size 1.625 thru 2.0
A	4" (10.1 cm) (1" to 1 1/2" bores)	4" (10.1 cm) (1" to 1 1/2" bores)	5 1/4" (13.3 cm) (1 1/2" to 2" bores)
B	2 1/4" (5.2 cm)	2 1/2" (6.3 cm)	3 1/4" (8.2 cm)
C	1" (2.5 cm) thru 1 1/8" (2.8 cm)	1 1/4" (3.2 cm) thru 1 1/2" (3.8 cm)	1 5/8" (4.1 cm) thru 2" (5.0 cm)
D	up to 1/4" (.63 cm)	1/4" (.63 cm) to 3/8" (.95 cm)	1/4" (.63 cm) to 1/2" (1.3 cm)

Special bore and key sizes upon request (see Price Page).

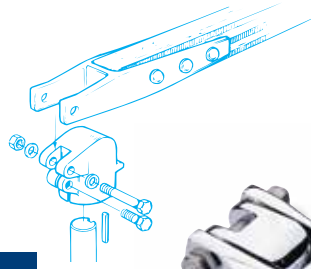


#675 Bronze Shaft Couplings

## Bronze Tiller Head Fittings

Edson's Bronze Tiller Head Fittings are hand cast in Edson's own foundry and have a classic look and feel that compliments both traditional and modern boats alike. Two sizes for rudderposts 1" dia or 1 1/4" to 1 1/2" dia. They are available in burnished bronze or chrome plated bronze.

See Ordering Guide for specs and Part #s.



### BRONZE TILLER HEAD FITTING ORDERING GUIDE

Finish	Order#	Rudderpost Dia.	Keyway	Tiller Width	Weight
BRONZE	965BR-100	1"	1/4"	1 1/2"	2.75lb(1.3kg)
	965BR-125-150	1 1/4" - 1 1/2" *	1/4"	2"	7lb(3.2kg)
CHROME	965CH-100	1"	1/4"	1 1/2"	2.75lb(1.3kg)
	965CH-125-150	1 1/4" - 1 1/2"*	1/4"	2"	7lb(3.2kg)

\* For size 125-150, specify exact bore size required between 1 1/4" and 1 1/2"  
Keyways in rudderposts should be facing forward.



Chrome Bronze Tiller Head Fitting

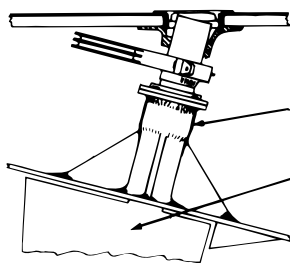
Bronze Tiller Head Fitting

## Stuffing Box / Bearings

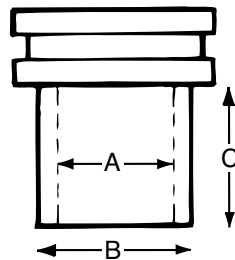
Combines a rudderpost bearing with an above-the-waterline stuffing box for rudderpost sizes ranging from 1" (2.5 cm) diameter to 4 1/2" (11.4 cm). We recommend fibreglassing the stuffing box/bearing to the top of the tubing when the rudderpost is in place. This can be done easily using alternating layers of fiberglass mat and cloth. This makes the post a structural bearing and will help carry rudder loads with minimal friction. Custom sizes are available on request, but allow additional time.



Stuffing Box #697



Fiberglass Resin  
Spade Rudder



### STUFFING BOX ORDERING GUIDE

For Rudderpost Diameter*	Order #	A**		B		C		Weight	
		in	mm	in	mm	in	mm	lb	Kg
1"	697-1.0	1	25	2	51	1.25	32	2.5	1.1
1 1/4"	697-1.125	1.125	29	2	51	1.25	32	2.5	1.1
1 1/2"	697-1.25	1.25	32	2	51	1.25	32	2.5	1.1
1 3/4"	697-1.375	1.375	35	2	51	1.25	32	2.5	1.1
1 1/2"	697-1.5	1.5	38	2	51	1.25	32	2.5	1.1
1 1/2"	697-1.625	1.625	41	2	51	1.25	32	3	1.4
1.660"	697-1.660	1.660	42	2	51	1.25	32	3	1.4
1 3/4"	697-1.75	1.75	44	2.44	62	1.25	32	3	1.4
1 1/2"	697-1.875	1.875	48	2.44	62	1.25	32	3	1.4
1.9"	697-1.9	1.9	48	2.44	62	1.25	32	3	1.4
2"	697-2.0	2.0	51	2.44	62	1.25	32	3.5	1.6
2 1/4"	697-2.25	2.25	57	3	76	1.25	32	3.5	1.6
2 1/2"	697-2.375	2.375	60	3	76	1.25	32	3.5	1.6
2 1/2"	697-2.5	2.5	64	3	76	1.25	32	4	1.8
2.860"	697-2.860	2.860	73	3.5	89	1.25	32	4	1.8
2 1/2"	697-2.875	2.875	73	3.5	89	1.25	32	4	1.8
3"	697-3.0	3.0	76	3.5	89	1.75	44	4.5	2
3 1/2"	697-3.5	3.5	89	4	101	1.75	44	4.5	2
4"	697-4.0	4.0	101	4	101	1.75	44	6	2.7
4 1/2"	697-4.5	4.5	114	5.125	130	1.75	44	6	2.7

\* Metric and Custom sizes available on request.

\*\* 'A' Dimension is actually bored +.030" over rudderpost size for proper clearance.

## Flax Packing for Stuffing Boxes

Waxed flax packing for re-lining your Stuffing Box.  
3/8" square x 16.5" long. Easily cut to fit.

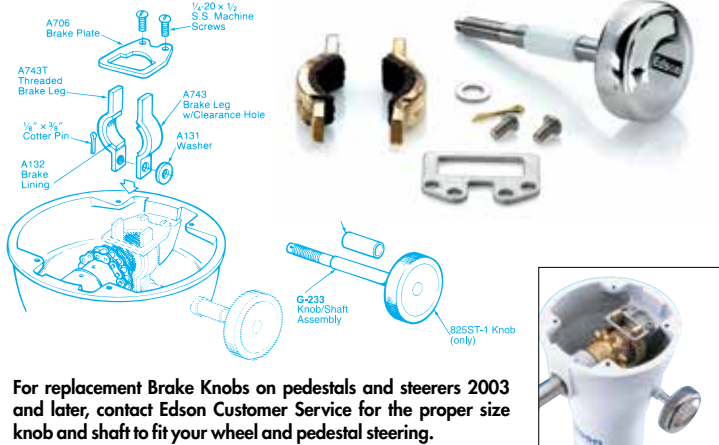
3/8" x 16.5" Waxed Flax Packing - Order #960-A-288



## Pedestal Wheel Brake for Pre-2003 Steerers

The **Edson Friction Brake for Pedestal Steerers** is designed to dampen the action of the wheel and is the most popular accessory for all steerers. Especially handy on long runs or when operating under power, these brakes can be used to secure the wheel under most conditions and will hold the boat on course while the helmsman trims a sheet or goes below. The brake can always be overridden by the helmsman. Brakes are constructed of bronze with long-lasting brake linings and are supplied with a stainless shaft and brake knob. For safety, the handle is designed to "pop off" if a line gets tangled around it. Edson pre-drills all holes required for the installation of the wheel brake which allows an Edson wheel brake to be retrofitted in approximately 20 minutes.

**NOTE:** Since 2003, all steerers feature thru-shaft wheel brakes and this brake kit is not applicable for these newer pedestals.



For replacement Brake Knobs on pedestals and steerers 2003 and later, contact Edson Customer Service for the proper size knob and shaft to fit your wheel and pedestal steering.

DESCRIPTION	ORDER #
Wheel Brake for older Edson Pedestals #334, 335 and 400.	#689ST-456
Wheel Brake w/8" Shaft for #410 Steerers	#689ST-8
Wheel Brake w/12" Shaft for #410 Steerers	#689ST-12
Stainless Replacement Knob	#825ST-1
Edson Brake Maintenance Kit	#316-689

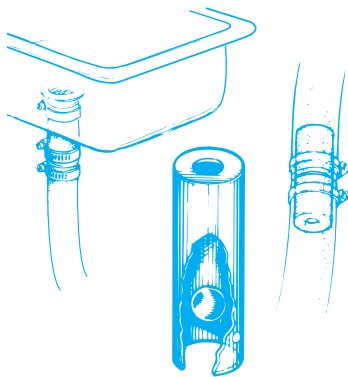


**Edson's Stainless Replacement Brake Knob** can be easily retrofitted onto your older Edson Pedestal. Easy press-on installation requires no tools.  
**Order #825ST-1**



**Edson's Brake Maintenance Kit** includes everything you need, including complete brake legs with pads, to bring new life to your side-mount Edson brake.  
**Order #316-689**

## Anti-Surge Valves



**Edson's Anti-Surge Valve** controls the flow of drain and bilge water in your boat with a simple floating ball. Use the anti-surge valve wherever the possibility of water backing up in drain lines exists. Ideal for head sinks, galley sinks, and anchor wells that fill when your boat heels over. These valves can also be used in limber holes and grid pan drains to keep bilge water from traveling. Comes complete with two Stainless hose clamps and is available in four sizes.

- Anti-Surge Valve for 3/4" ID Hose – Order #905-075**
- Anti-Surge Valve for 1" ID Hose – Order #905-100**
- Anti-Surge Valve for 1 1/4" ID Hose – Order #905-125**
- Anti-Surge Valve for 1 1/2" ID Hose – Order #905-150**



## Prism Polish™

The best metal polish we've found for Edson stainless and bronze products. Prism Polish has been formulated to clean, polish and protect all metals in one application. Its protective coating is designed to last 3-6 months and contains no harsh acids, caustics or abrasives; its safe on all metals including stainless and bronze - perfect for polishing and protecting Edson Wheels (stainless and bronze), stainless hardware, parts and fittings, engine control handles, wheel nuts, brake knobs, drink holders, mounting arms - any polished Edson metal part!

**Prism Polish 6oz. Jar - Order #2475**



# Edson Pedestal Maintenance & Spares Kits



**Pedestal Maintenance Kit**  
Includes the parts needed for basic routine maintenance to keep your Pedestal running smoothly.  
Includes:  
Snap Rings (2)  
Shaft Keys (2)  
Shaft Washer  
Teflon Grease  
Threadlock  
Pedestal Maintenance Guide  
**Order #312-335-400**

**Pedestal Rebuild Kit**  
Bring new life to your older #335 Edson Pedestal with this complete Rebuild Kit.  
Includes:  
Needle Bearings (2)  
Snap Rings (2)  
Shaft Keys (3)  
Shaft Washer  
Drive Pin  
Nylon Washers (2)  
O-Ring  
Teflon Grease  
Threadlock  
Pedestal Maintenance Guide  
**Order #314-335**

**CD-i Geared Steering Pedestal Maintenance Kit**  
The ideal onboard maintenance & spares kit for any Edson CDi Geared Steering System.  
Includes:  
1- Right Hand Rod End with Nut  
1- Left Hand Rod End with Nut  
1- Wheel Shaft Key  
1- SS Shaft Washer  
1- SS Snap Ring  
1- .5oz. Superlube Teflon Grease  
Maintenance Instructions  
**Order #312-CDi**



**Brake Maintenance Kit**  
Just like your car, your boat's wheel brake needs periodic relining. This kit includes all you need to make your brake work like new again.  
Includes:  
Bronze Brake Legs with Brake Pads (2)  
Cotter Pin  
Stainless Washer  
Nylon Bushing  
Removal & Installation Instructions  
**Order #316-689**  
*PLEASE NOTE: This kit is for Edson's side-mount wheel brakes only — not for thru-shaft wheel brakes.*



**Edson's White Touch-up Paint**  
Custom formulated to match Edson's white baked-on urethane powder coating finish. Ideal for small nicks and scratches in your Pedestal, Engine Control or other white powder-coated aluminum parts.  
Includes 2 bottles per package.  
**Pre-2011 Pedestals - Order #333-1**  
**2011 and Newer - Order #333-2**



14 oz Lubricant #827-14

3 oz Lubricant #827-3

**Superlube®** is a Teflon® grease for use in all Edson Systems. Ideal for both conduit and needle bearing use.  
**14 oz. Cartridge – Order #827-14**  
**3 oz. Tube – Order #827-3**  
**1/2oz. tube (not shown) - Order #827-.50**



**Thru-Shaft Brake Rebuild Kit**  
Replacement Brake Pad, Shaft and Snap Ring for Edson #336 and #402 Pedestals with Thru-Shaft Brakes. *Knob not included - please contact Edson customer service for proper replacement knob/shaft combo for your boat.*  
**Order #316-336-402-TSB**



For larger areas or complete Pedestal refinishing, visit [edsonmarine.com](http://edsonmarine.com) for repainting instructions.

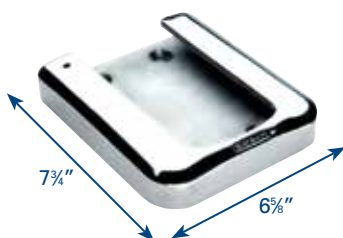


**Tef-Gel™ Corrosion Inhibitor**  
We recommend Tef-Gel on Compass Bolts or anywhere stainless bolts are installed in aluminum to reduce corrosion caused by dissimilar metals.  
3cc tube.  
**Order #2470**

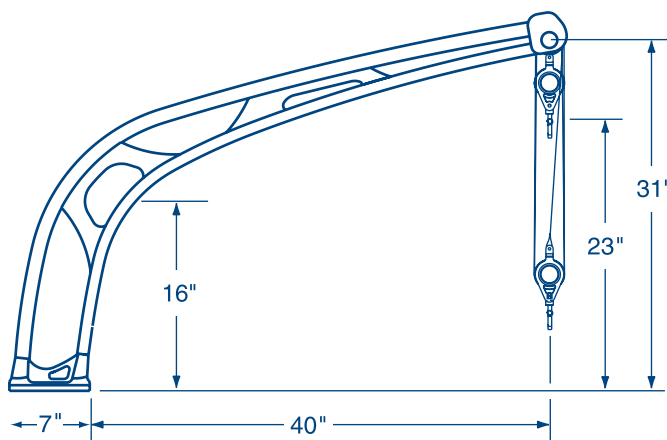
## Stainless Dinghy Davits



Optional Mounting Shoe



Actual Davit Foot measures 7-1/8" x 5-3/4"



**PLEASE NOTE:** Dinghy and Boat may require modifications, reinforcement, or custom lifting bars to accommodate dinghy.



2007 Beneteau 49 with Custom Davit Mounting Brackets

### EDSON STAINLESS DAVIT FEATURES:

- Built of highly polished, marine grade 316 Stainless.
- Includes 33' lifting line, blocks and cleats.
- Optional Stainless Mounting Shoes allow for ease of mounting and removal.
- 5:1 Lifting Tackle included.
- Optional Connecting Bar available for added support and rigidity.
- Positive-locking Spinlock™ cam-cleats holds lifting tackle securely.
- Long 40.5" (103cm) reach and 31" (79cm) rise make lifting and storage of most all dinghies possible.
- 250 lb (113 kg) capacity.

#### Stainless Davit Ordering Information

Edson Stainless Davit (2 required) - Order #500ST-4030

Optional Stainless Mounting Shoe (2 required) - Order #508ST-78

Optional 5' Stainless Connecting Bar - Order #513ST-1125-60

(custom length Connecting Bars available)



### IMPORTANT

- Practical lifting capacity of a davit rigged with a 5:1 purchase is 250 lbs (113 kg).
- Davits must be properly installed with backing plates to provide adequate strength.
- **The total weight of the dinghy and motor should not exceed the safe working load of one davit or 250 lbs (113 kg).**
- **CAUTION**  
Water should not be allowed to collect in the dinghy or inflatable while being held in Davits. Dinghy should be covered or equipped with a drain to allow water to escape. Failure to do so could damage the davits and dinghy. A dinghy on davits should not extend beyond the sides of the boat to prevent catching water when rolling or heeling.



**Great Gift Ideas!**

## Edson One-Step™ Boarding Step

If the deck of your boat seems to be getting higher and your dinghy seems to be getting lower, Edson's "One-Step Boarding Step" is for you. *Wt. 5 lb (2.3 kg).*

- Makes getting onboard safer and easier.
- Cast in aluminum and coated with durable, glossy-white baked-on Urethane coating.
- Designed to attach to your lifeline gate stanchions and hang against the side of your boat.
- Neoprene bumpers that won't mar your topsides
- Built-in handles give you a secure handhold.
- Lightweight and compact
- Takes up minimal space in locker compared to cumbersome ladders.
- Comes complete with 6 ft. of braided line with stainless snap shackles.

**One-Step Boarding Step with Line - Order #520-14**  
**One-Step Boarding Step without Line - Order #520-14LL**



## Edson Oar-Loc™

- Protect your prized oars!
  - Ideal for those who want to leave their oars safely with the dinghy at yacht clubs or public docks.
  - Cast in bronze
  - Unique design is easy to operate because the lock is on the top of the seat.
  - You can also lock up your oarlocks by drilling two more holes and putting your oarlocks under your oars (lock not included).
- Wt. 1.35 lb (.6 kg).*

**Edson Oar-Loc™ - Order #523-2**



## Bronze Dinghy Anchor

Remember those great navy anchors of yesteryear? They were as functional as they were good looking. Now Edson has reintroduced the design as the perfect dinghy anchor. Its cast bronze construction will last for generations.

- Solid Cast Bronze
- Articulating Design just like full-sized anchor
- Comes complete with 33 ft (10 m) of 5/16" braided line
- A handy storage bag is available.
- *Wt. 8 lb (3.6 kg)*

**Bronze Dinghy Anchor with Bag and Line - Order #522-6**  
**Bronze Dinghy Anchor without Bag and Line - Order #522-6LL**



# Antenna Standoffs & Mounting Brackets

## Stainless Antenna Standoffs

New instruments need new antennas, making Edson's Antenna Standoffs more popular than ever. These strong and attractive standoffs will limit the amount of wear and tear on your antennas while powering through rough seas. Made from investment cast 316 stainless, they will never break like plastic. Fitting all antennas up to 1.5" in diameter, they are available in three sizes, virtually eliminating the need to shim the standoff or antenna base. The clasp is held closed with a quick release pin allowing for quick antenna takedown to go under bridges or for trailering. Each clasp is padded providing a secure, rattle free closure. The combination of a highly polished and vapor blast gray finish enhance the sleek, attractive styling.

Order by the desired stand-off distance (to center of antenna)

**3" Standoff – Order #535-3-125 Wt. 1.3 lb (.6 kg)**

**5" Standoff – Order #535-5-125 Wt. 1.5 lb (.7 kg)**

**7" Standoff – Order #535-7-125 Wt. 1.7 lb (.8 kg)**



## Flush Mount Brackets



Edson "Flushmount Kits" ease dash installations of VHF radios & larger display monitors. Stainless steel construction.

**Flush Mount Kit for VHF/Small Displays #6765**

**Flush Mount Kit for Large Displays #6770**

## Stern Rail Outboard Motor Mount

- Built to hold motors up to 15 hp or 100 lbs/45 kg.
- Convenient cleat and side handles allow you to tie the motor and lock it safely on board.
- The non-corroding polished 316 stainless bracket with non-skid pad, bolted to the UV stable poly backing board always looks ship-shape... no more varnishing.
- Comes complete with hardware to attach to any standard 1" (2.5cm) or 1 1/4" (3.2 cm) stainless rail. Bottom cleat comes unattached so that it will fit any rail spacing.

**Note:** 1 1/4" rail version comes complete with anodized aluminum bracket, stainless cleat and stainless U-bolt for 1 1/4" railing. Wt. 10 lb (4.5 kg).

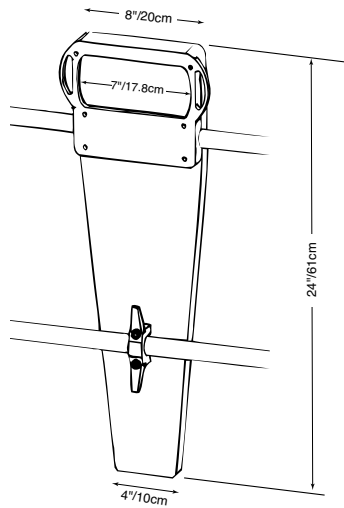
**Outboard Mount for 1" Railing - Order #521-100ST(shown)**  
**Outboard Mount for 1 1/4" Railing - Order #521-125AL**



Cast Stainless version for 1" Railing



Cast Aluminum version for 1-1/4" Railing



### Warning

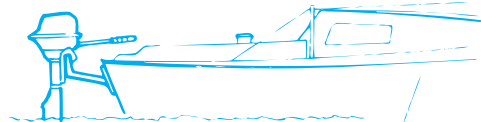
Be sure the engine is securely tied onto the backing board and the engine mounts are tightened whenever the engine is stored on Edson's Outboard Motor Mount. Use the tilt feature on the engine to allow the lower unit to rest on the backing plate or add a block of wood to provide this support.

## Bronze Outboard Motor Brackets

Edson's Bronze Outboard Brackets are designed as an engine mount for use on dinghies and small sailboats. The mounting plate is permanently fastened to the boat's transom. The bracket slides into the plate and is held in place by two stainless steel clips. The outboard motor bracket is available for two different transom angles. Order Size 010 for transoms with 10° angle or Size 3545 for angles of 35° - 45°. Will hold outboards up to 4 HP.

**Angled Transom Bracket - Order #951-3545**

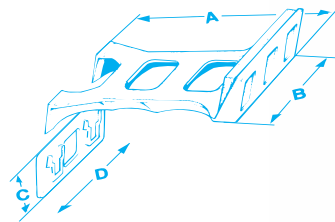
**Straight Transom Bracket - Order #951-010**



Angled Transom Bracket  
#951-3545



Straight Transom Bracket  
#951-010



#951-3545



#951-010

### OUTBOARD BRACKET ORDERING GUIDE

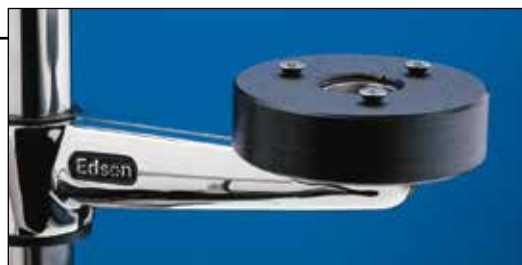
Order #	Dimensions				Weight lbs (kg)
	A	B	C	D	
951-3545	9" (23 cm)	8" (20 cm)	4" (10 cm)	8" (20 cm)	8 1/2 (3.9)
951-010	14" (36 cm)	8" (20 cm)	4" (10 cm)	8" (20 cm)	10 1/2 (4.8)

# Electronics Mounting Arms and Brackets

## Stainless GPS Mounts

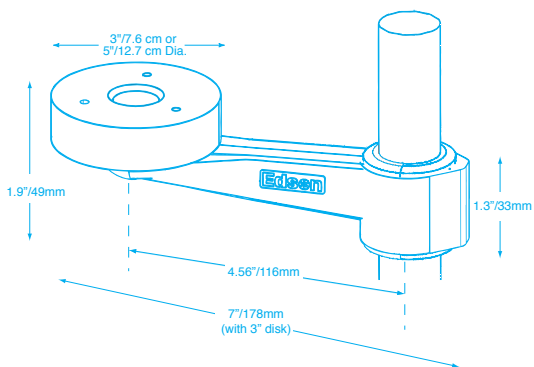


**Edson's Stainless GPS Arm** puts your hand-held GPS securely and conveniently within reach on your Steering Pedestal Guard. The Arm is constructed of highly polished, investment-cast 316 Stainless and the mounting base is made of black, maintenance-free marine-grade polymer. Pre-drilled to fit the Garmin GPS Swivel Mount (shown), the Arm will also accept most other round GPS brackets up to 5" (12.7 cm) including Magellan and other Garmin units. The Edson GPS Arm is designed to attach to all 1", 1 1/8" and 1 1/4" pedestal guard tubes by clamping the two pieces together around the guard tube without the need for removal of the tubes or any existing wiring.



Description	Order #
Stainless Arm only (no mounting base)	831ST-100
Stainless GPS Arm with 3" Mounting Base*	831ST-3-100
Stainless GPS Arm with 5" Mounting Base	831ST-5-100

\* 3" pre-drilled to fit Garmin marine mounts.



## Stainless GPS Antenna Rail Mount



**Edson's Stainless GPS Antenna Rail Mount Arm** features a unique design that keeps your wiring completely hidden inside the mount and railing. The two-piece design clamps to any 1", 1-1/8" or 1-1/4" horizontal railing. Male 1"-14 threads accept most common GPS or VHF antennas. Cast of solid 316 stainless with rubber bushings.



**Stainless GPS Antenna Rail Mount - Order #831ST-1-14**

## Stainless Horizontal Clamp-On Ball Mount

**Edson's New Stainless Clamp-on Ball Mount** for horizontal railing is ideal for mounting hand held GPS, phones or other instruments right on the pedestal guard or other horizontal rail, within easy reach of the helmsman and crew. Two sizes are available with either a 3" or 5" diameter poly platforms for mounting GPS brackets and other accessories. The 3" version is pre-drilled and tapped to accept Garmin's Marine Mount for handhelds and small chartplotters.

Horizontal Rail Accessory Mount - 3" - Order 831ST-3-DISK  
Horizontal Rail Accessory Mount - 5" - Order 831ST-5-DISK



## Stainless Clamp-on Accessory Mounts



#832ST-7-125



#861ST-125



#832ST-3-125

**Edson's Stainless Clamp-On Accessory Mounts** allow you to mount drink holders instruments or nearly anything else that requires a secure location on the pedestal guard. For angled guards, they rotate and lock in place with set screws so you can mount your drink holder level or adjust the angle of your instrument. Highly polished solid 316 Stainless construction with adapter sleeves for 1", 1-1/8" and 1-1/4" guard pipes.

Description	Order #
Stainless Clamp-On Accessory Mount - 7" Platform	832ST-7-125
Stainless Clamp-On Accessory Mount - 3" Platform	832ST-3-125
Stainless Accessory Clamp only	861ST-125

## Stainless Rail Clamps

Edson's has a large selection of stainless clamps for 1", 1-1/8" and 1-1/4" railing. They can be used to mount instrument housings, electronics brackets, custom drink holders and ditty boxes, antennas and much more. All are cast in 316 marine-grade stainless and precision machined for tight clamping tolerances.



**Clamp-On Mount  
for 1" & 1-1/8" Guard Pipes**  
#861-100



**Clamp-On U-Mount  
for 1", 1-1/8" & 1-1/4" Guard Pipes**  
#861-100-125



**Swiveling Accessory  
Clamp**  
#861ST-125



**Clamp-On Table Hardware  
for 1" & 1-1/8" Guards**  
#860-100



**Ball Mount  
for Instrument Housings  
(hollow design for wiring)**  
#831ST-BALL



**Clamp-On Table Hardware  
for 1-1/4" Guards**  
#860-125



**Glass Holder/Ditty Box Hardware for  
Pedestal Guards**  
#859-8



See Edson's Electronics Mounting Systems Catalog for Instrument Housings

# Marine Compasses and Accessories

The Magnetic Marine Compass is probably still the most important navigation instrument that you can have on any boat. Because Edson understands the importance of the proper installation of a compass you can be assured that all of our steering pedestals have been designed and manufactured to accept the wide variety of compasses without interfering with their sensitive magnets.

## Edson Vision Series™ Compass Bowl

**Edson's Compass Bowl** allows the mounting of a flush-mount compass between the guard pipes. Ideal for installations where there is limited space on the pedestal for the compass or the compass needs to be mounted away from instruments that may cause magnetic deviation. It also puts the compass higher, closer to the line of sight, making steering a course much easier, especially at night. Robust Stainless and thermoformed ABS construction. Mounts between Edson Standard guard pipes with 9-1/2" centers. Stainless mounting hardware included.

**Edson Compass Bowl for 3.5" & 4" Compasses – Order #2150-95-4**  
**Edson Compass Bowl for 5" Compasses – Order #2150-95-5**

*NOTE: Pedestal Guard sold separately.*



## Flush Compasses

### For Use With Edson Vision Series™ Pedestals and #856 Compass Cylinders

**Flush Mount Compasses** can be mounted directly on an Edson Vision Series "MV" Pedestal or to a Classic Pedestal by using the #856 Compass Cylinders shown on page 21. These compasses have either 3 3/4", 4" or 5" dials with 5° increments, full internal gimbals, 45° lubber lines, night lighting in a movable sun shield and adjustable compensators. These Ritchie Compasses are available in either white or black finish.

**Flush Mount Compasses with 3 3/4" dials:**  
 Ritchie Helmsman Black (shown)  
 Ritchie Helmsman White

**Order #658-HF-742**  
**Order #658-HF-742W**

**Flush Mount Compasses with 4" dials:**  
 Ritchie Navigator Black  
 Ritchie Navigator White (shown)

**Order #658-FN-201**  
**Order #658-FNW-201**

**Flush Mount Compasses with 5" dials:**  
 Ritchie SB500 (shown above)

**Order #658-SB-500**



#658-HF-742



#658-FNW-201

## Binnacle Compasses

### For Edson 336, 402 and 464 Pedestals

**Binnacle Compass** can be mounted directly to the Edson Spacemaker Pedestals using the standard 4-bolt pattern on the top of the pedestal or optional Edson Engine Control Housing. Ritchie manufactures binnacle models with choices of 4 1/2", 5" or 6" dial sizes and optional finishes and materials. They all have 5° increments, built-in compensators, night lighting, full gimbals and 45° lubber lines.

**Binnacle Mounts with 4 1/2" dials for 336 & 337 Pedestals:**

Ritchie Navigator Stainless **Order #658-DNP-200**  
 Ritchie Navigator Black (shown) **Order #658-DNB-200**  
 Ritchie Navigator White (shown) **Order #658-DNW-200**



#658-SP-5C



#658-DNB-200

#658-DNW-200

**Binnacle Mounts with 5" dials for 336 & 337 Pedestals:**

Ritchie Globemaster SP-5 (shown) **Order #658-SP-5C**  
 Ritchie Globemaster SP-5B **Order #658-SP-5B**

#658-D-515-EP

**Traditional Binnacle Mount with hood, 5" dials for 336 & 337 Pedestals:**

Ritchie Globemaster Stainless (shown) **Order #658-D-515-EP**  
 Ritchie Globemaster Brass **Order #658-D-515-EX**



**Traditional Binnacle Mount with hood, 6" dials for 402 & 464 Pedestals:**

Ritchie Globemaster Stainless **Order #658-D-615-EP**  
 Ritchie Globemaster Brass (shown) **Order #658-D-615-EX**

## Compass Cover

Edson's Compass and Instrument Cover protects your compass or pod mounted instruments. The cover is made of sun-resistant white vinyl laminate with a Velcro tie.

**Compass Cover for Edson #336 & #337 Pedestals – Order #693-5**



## Pedestal Top Adapter

Edson's Pedestal Top Adapter allows you to adapt nearly any compass to an Edson pedestal. They can also be used as a pedestal cover when not installing a compass. Available in white marine-grade polymer and furnished with pre-drilled holes and flat head machine screws. The #694WH-6-45 allows a 5" dial compass with 7" (178 mm) base to be adapted to the Edson #402 or #464 Classic CD-i Pedestal. Wt. 1 lb (.45 kg).  
**White 8" to 7" Adapter - Order #694WH-6-45**

## Ritchie Weather Shield

Edson recommends the use of the Ritchie Weather Shield with the installation of any Binnacle Mount Compass on Edson 336 & 337 Pedestals. The weather shield helps prevent water infiltration into the pedestal or below decks through the pedestal.

**Ritchie Weather Shield - Order #658-WS-P**



**Weather Shield  
#658-WS-P**



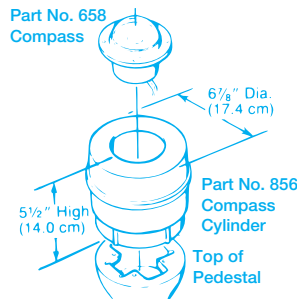
**#694WH-6-45**



## Compass Cylinder

Edson's Compass Cylinders are distinctive, non-reflecting, and virtually indestructible. Great for new boats or upgrading your existing pedestal to a larger, easier to read compass. Fits Edson's 336 & 337 pedestals, stands 5 1/2" high and accommodates flush mounted compasses up to a 6 7/8" flange diameter.

**White Compass Cylinder – Order #856WH-345**



**#856 WH-345**

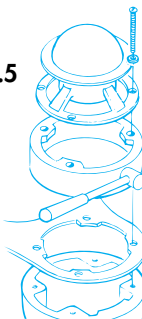
## Compass Bolts

Edson offers two sizes of 1/4-20 bolts: 1" long or 3 1/2" long Phillips Head Machine Screws coated with a state-of-the-art process that is designed to eliminate the galvanic reaction between Stainless and Aluminum. Edson now uses these bolts as standard equipment for fastening the compass and engine control to the top of the pedestal. We highly recommend these bolts as they facilitate inspection and maintenance of your pedestal steering.

Wt. 8 oz (204 kg).

**Set of Four 1" Edson Compass Bolts – Order #817-1**

**Set of Four 3 1/2" Edson Compass Bolts – Order #817-3.5**



## Compass Light Wire

Non-magnetic braided wire. For new installations or re-wiring an existing compass. Have some extra on board. Available in 10, 25, or 30 foot lengths (shown below).

**10' (3 m) Compass Wire - Order #669-10**

**25' (7.6 m) Compass Wire - Order #669-25**

**30' (9 m) Compass Wire - Order #669-30**



**#669**

**#672-1**

## Rubber Wire Connectors

Two-prong, rubber plugs for easy disconnecting of compass lights during pedestal or compass servicing. Handy for many other shipboard uses.

**Order #672-1**

## Portable Pump Kits



**Bone Dry Portable Pump Kit #165AL-30**



**Optional Portable Pump Kit Bag #275-31**

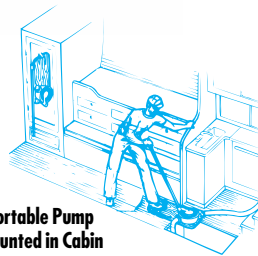
Edson's Portable Pump Kits are complete pumping systems that include either the 18 GPM #217 Pump or the 30 GPM #117AL Pump mounted on a carrying board with a 32" handle. Quick clamp hose fittings and a single 20' length of hose supplied for optimum configuration by individual.

They can be customized with additional hose, a strainer and special couplings to meet specific needs. An optional Pump Kit Storage Bag is available for storing the pump.

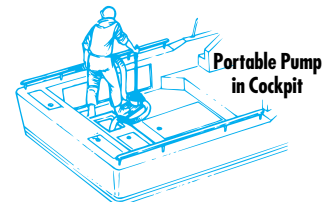
**Portable Pump Kit – Order #165**  
See ordering Guide for sizes

PORTABLE PUMP KIT ORDERING GUIDE				
Pump Description	Material	Fitting Size	lbs/Kg	Order #
18 GPM Portable Pump Kit	Aluminum	1-1/2" NPT	8/3.6	165AL-18-150
30 GPM Portable Pump Kit	Bronze	1-1/2" NPT	19/8.6	165BR-18-150
30 GPM Portable Pump Kit	Aluminum	1-1/2" NPT	17/7.7	165AL-30-1.5-KIT
30 GPM Portable Pump Kit	Aluminum	2" NPT	17/7.7	165AL-30-2KIT

**30GPM Pump Kits now includes Forespar TruPlug and Bright Orange Storage Bag for added safety!**



**Portable Pump Mounted in Cabin**



**Portable Pump in Cockpit**

## Forespar TruPlug®

TruPlug is a soft, cone shaped plug designed to conform to the irregular and unpredictable shapes of a hull breach - controlling the flow of water while you pump.

Whether it's a round hole caused by mechanical failure, or an elongated tear due to impact, TruPlug adapts to slow or stop the leak. Unlike old fashioned wooden plugs, TruPlug's unique shape allow it to be compressed by hand or cut to fit. It also gets in the hard-to-reach locations and can also be pushed into a gap using a screw driver or similar tool.

Dimensions: 5 inches x 9 inches. The TruPlug is suitable for holes up to four inches in diameter.

One TruPlug for every 10 feet of boat length is recommended. For boats under 30' we recommend two TruPlugs and a minimum of three for any boat in excess of 30'. This allows one TruPlug for a thru-hull/hose failure and provides spares for other holes or to cut in the event of a hull impact breach.

The TruPlug is constructed of proprietary special purpose foam and coated with a flexible sealer adding strength and color.

**Forespar TruPlug– Order #287**





## EDSON - YOUR #1 SOURCE FOR PUMP FITTINGS AND REPLACEMENT PARTS!



Order online at [www.edsonpumps.com](http://www.edsonpumps.com)

### Edson Pump Hose

Flex Hose  
#671FH



Waste Hose  
#268FW

#### FLEX HOSE

1 1/2" Order #671FH-150  
2" Order #671FH-200

#### WASTE HOSE

1 1/2" Order #268FW-150  
2" Order #268FW-200

### Bronze Strainers & Foot Valves



#### BRONZE STRAINERS

1 1/2" Order #111BS-150  
2" Order #111BS-200

#### FOOT VALVES

1 1/2" Order #130N-150  
2" Order #130N-200

### Stainless Hose Clamps

#### STAINLESS HOSE CLAMPS

1 1/2" Order #670ST-150  
2" Order #670ST-200



### Stainless 32" Pump Handle



Stainless 32"/81 cm Pump Handle - Order #160-A-41ST  
Available Option when ordering an 18 GPM Pump - Order #230-A-41ST

### Pump Spares Kits

18 GPM Pump Spares Kit	40 GPM Side Inlet Pump Spares Kit	40 GPM Bottom Inlet Pump Spares Kit
For Models 217, 254, 256 & 258 - Order #114N-18-220	For Models 117, 120 & 557 - Order #114N-117-120	For Models 554, 638 & 654 - Order #114N-638-554
Includes: Two #160-A-1207 Valve Assemblies (includes hardware and weights) One #113N-18 Diaphragm	Includes: Two #160-G-107 Valve Assemblies (includes hardware and weights) One #113N-0 Diaphragm	Includes: One #160-G-107 Valve Assembly (includes hardware and weights) One #160-G-108 Valve Rubber One #113N-0 Diaphragm
<p>#160-A-1207      #113N-18</p>	<p>#160-G-107      #113N-0</p>	<p>#160-G-108      #160-G-107      #113N-0</p>

### Hose Couplings



#### FEMALE QUICK CLAMP COUPLING

1 1/2" Order #156FE-150  
2" Order #156FE-200



#### THREADED MALE COUPLING

1 1/2" Order #159MA-150  
2" Order #159MA-200



#### MALE QUICK CLAMP COUPLING

1 1/2" Order #156MA-150  
2" Order #156MA-200

### Quick Clamp Threaded Adapters



#### MALE NPT x MALE QC ADAPTER

1 1/2" Order #157MM-150  
2" Order #157MM-200



#### FEMALE NPT x MALE QC ADAPTER

1 1/2" Order #158MF-150  
2" Order #158MF-200



#### FEMALE QC x FEMALE NPT ADAPTER

1 1/2" Order #151FF-150  
2" Order #151FF-200



#### FEMALE QC x MALE NPT ADAPTER

1 1/2" Order #152FM-150  
2" Order #152FM-200

### Ball Valves



#### UNION BALL VALVE

1 1/2" Order #264-150  
2" Order #264-200



**NEW!**

**A CLEANER,  
FRESHER BOAT  
THE NATURAL WAY!**

## BioFresh™ Cleaning Products

BioFresh™ OilEradicator™

**Natural & Environmentally  
Safe Products**

**Controls Holding Tank Odors  
and Cleans Oily Bilges!**

Naturally occurring, beneficial microbes break down and consume oils, gas, grease, diesel fuel and human & animal waste found in bilges, marinas, lakes and rivers. Let Nature handle the dirtiest jobs on your boat!

### BioFresh™ Holding Tank Packets



Simple, drop in packs for holding tank treatment.  
**ORDER #2400**

### Oil Eradicator™ Bilge Pad



Absorbs and eliminates oil in your boat's bilge.  
**ORDER #2410**

### BioFresh™ Microbial Powder



Surface cleaner and odor eliminator for bilges and holding tanks.  
**ORDER #2404**

### Oil Eradicator™ Clean Up Kit



Cleans small oil spills in your bilge or other contaminated areas.  
**ORDER #2420**

### BioFresh™ PreWash



Non-toxic soap to emulsify oils and grease. Use with Microbial Powder.  
**ORDER #2408**

### Oil Eradicator™ Booms



Contain and eliminate oil spills in and around docks and in bilges.  
**2' - ORDER #2412**  
**4' - ORDER #2414**

Learn more at [www.edsonmarine.com/biofresh](http://www.edsonmarine.com/biofresh)

## Index by Product Name

Antenna Standoffs.....26	Drink Holders ..... 10-11	Outboard Motor Bracket .....27	Single Lever Engine Control ..... 18
Anti-Surge Valves .....22	Engine Controls ..... 16-19	Pedestal Guards..... 15	Spline Weights ..... 5
Ball Mounts ..... 28-29	Engine Control Handles ..... 19	Pedestal Guard Feet ..... 15	Sportsman Knob ..... 11
Bearings ..... 20	Engine Control Cables ..... 19	Pedestal Maintenance Kit ..... 23	Stainless Guard Feet ..... 15
BioFresh Environmental Products ..... 34	Flax Packing for Stuffing Box ..... 21	Pedestal Rebuild Kit ..... 23	Stainless Polish ..... 22
Boarding Step ..... 25	Flush Mount Brackets ..... 26	Pedestal Top Plates ..... 15	Stars ..... 5
Brake Knob ..... 22	GPS Mounts ..... 28	Platforms ..... 28	Stern Rail Outboard Motor Mount ..... 27
Bronze House Markers ..... 4	Hardware Kits ..... 9, 23, 28, 29	Poly Cockpit Tables ..... 6-7	Teak Cockpit Tables ..... 6-7
Bronze Spline Weights ..... 5	House Markers ..... 4	Polish ..... 22	Tiller Head Fittings ..... 21
Clamp On Hardware ..... 28	Knobs ..... 10-11	PowerKnobs ..... 10-11	Touch Up Paint ..... 23
Cockpit Tables ..... 6	Leather Accessories ..... 13-14	Pumps ..... 32	Wheel Brake ..... 22
Compass Bowl ..... 30	Leather Wheel Rim Covers ..... 13	Pump Hose, Fittings and Spares ..... 33	Wheel Knobs ..... 10-11
Compasses ..... 30	Lubricant ..... 23	Quick Release Wheel Nut ..... 12	Wheel Nuts ..... 12
Compass Accessories ..... 31	Maintenance and Spares Kits ..... 23	Rail Clamps ..... 29	Wheel Rim Covers ..... 13
Diaphragms ..... 33	Nautical Stars ..... 5	Rudderpost Fittings ..... 20-21	Wheel Storage Device ..... 12
Dinghy Anchor ..... 25	Oar Lock ..... 25	Shaft Couplings ..... 20	
Dinghy Davits ..... 24	One-Step Boarding Step ..... 25	Side Mount Arm ..... 28	

## Index by Product Number

Product #	Page	Product #	Page	Product #	Page	Product #	Page
111	33	535	26	810	19	1600	15
114	33	629	20	816	16	1610	15
130	33	658	30, 31	817	31	1620	15
152	33	669	31	825	22	1625	15
156	33	670	33	831	28	2150	30
157	33	671	33	832	28	2400	34
158	33	672	31	826	12	2404	34
159	33	673	12	827	23	2408	34
165	32	675	20	831	28-29	2410	34
264	33	679	20	832	28	2412	34
268	33	680	12	856	31	2414	34
275	32	683	12	858	14	2420	34
287	32	689	22	859	9, 29	2470	23
310	15	693	31	860	9, 29	2475	22
312	23	694	31	861	28-29	3200	4
314	23	697	21	870	16	3201	4
315	17	716	13	878	8-9	3202	4
316	23	733	13	905	22	3203	4
333	23	734	19	951	27	3205	4
500	24	735	19	963	19	3206	4
508	24	737	6-7	965	21	3207	4
513	24	751	17	967	10-11	3150	4
520	25	761	6-7	969	10-11	3300	5
521	27	782	20	1401	14	3500	5
522	25	785	9	1404	14		
523	25	805	19	1405	14		

### The Edson Limited Warranty

The Edson Corporation ("Edson") warrants to the original consumer purchaser of this product, that it is free from defects in materials and workmanship. Edson's responsibility is limited to repair or, at Edson's election, replacement of any defective product and does not include any charges for removal, re-installation, or incidental or consequential damages. Some states do not allow the exclusion or limitation of incidental or consequential damages, so the above limitation or exclusion may not apply to you.

Expiration: This warranty and any implied warranties shall expire one (1) year from the date of purchase; provided, however, that if any product is used for any commercial activity, this warranty shall expire ninety (90) days from date of purchase. Some states do not allow limitations on how long an implied Warranty lasts, so the above limitation may not apply to you.

Exceptions: The above warranty does not apply: to metal finishes or coatings; to a product not installed or maintained following Edson's instructions, damaged by casualty or improper use, repaired or modified by other than Edson personnel, installed in a vessel or manner judged by Edson to be an inappropriate application of its product, or used with other products incompatible with the Edson product or which adversely affect its performance or durability.

Claim Procedure: 1) Immediately upon purchase, complete and mail to Edson the Owner Information Card accompanying Edson's equipment, if any. 2) Immediately upon discovery of any apparent defect, notify your vendor, the builder of your boat, or Edson, describing such defect; 3) the vendor, boatbuilder or Edson shall make a preliminary determination as to whether a warranty claim is justified and, if so, 4) upon request, Edson shall authorize return of the product. NO product shall be returned until authorized by Edson. 5) After such authorization, return the product, freight prepaid, with proof of purchase, if no owner information card has been filed with Edson, to The Edson Corporation, 146 Duchaine Blvd., New Bedford MA 02745. 6) If found defective, Edson shall repair or replace the product and return it at Edson's expense if destination is within continental U.S.A. or, if not, or if special freight required, at owner's expense.

Other Rights: This warranty gives you specific legal rights, and you may also have other rights which vary from State to State.



**EDSON<sup>®</sup>**

The Edson Corp.

146 Duchaine Blvd. • New Bedford, MA 02745

Tel (508)995-9711 • Fax (508) 995-5021

email: [info@edsonintl.com](mailto:info@edsonintl.com)

[www.edsonmarine.com](http://www.edsonmarine.com)