

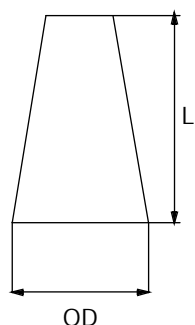
PLEASURECRAFT

PROPELLER

ANODES

PROPELLER NUT anodes / incl. insert & hardware

PROP NUT COMPLETE



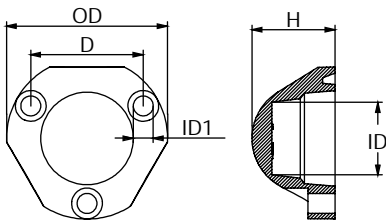
TYPE	PID	LB	KG		SHA FT	L	OD	THR EAD	FASTE NER	UPC	
AL	A	CMPNAAC13	0.34	0.15	mm	19	38	32	1/2"-13 UNC	1/4- 20 x 1/2	6 28309 12078 8
MG		CMPNAMC13	0.32	0.15	in	0.75	1.5	1.25			6 28309 11511 1
ZN		CMPNAZC13	0.46	0.21							6 28309 10824 3
AL	B	CMPNBAC11	0.46	0.21	mm	22	54	41	5/8"-11 UNC	1/4- 20 x 1/2	6 28309 12349 9
MG		CMPNBMC11	0.39	0.18	in	0.87	2.12	1.65			6 28309 11342 1
ZN		CMPNBZC11	0.76	0.34							6 28309 10828 1
AL	C	CMPNCAC10	0.78	0.35	mm	25	76	48	3/4"-10 UNC	5/16- 18 x 1	6 28309 12211 9
MG		CMPNCMC10	0.65	0.30	in	1	3	2			6 28309 11344 5
ZN		CMPNCZC10	1.38	0.63							6 28309 10831 1
AL	C	CMPNCAF16	0.78	0.35	mm	29	76	48	3/4"-16 UNF	5/16- 18 x 1	6 28309 12373 4
MG		CMPNCMF16	0.65	0.30	in	1.12	3	2			6 28309 11345 2
ZN		CMPNCZF16	1.38	0.63							6 28309 10832 8
AL	D	CMPNDAC09	1.33	0.6	mm	32	78	54	7/8"-9 UNC	5/16- 18 x 1	6 28309 12212 6
MG		CMPNDMC09	1.11	0.5	in	1.25	3.06	2.3			6 28309 11347 6
ZN		CMPNDZC09	2.2	1							6 28309 10835 9
AL	D	CMPNDAF14	1.33	0.6	mm	32	78	54	7/8"-14 UNF	5/16- 18 x 1	6 28309 12606 3
MG		CMPNDMF14	1.11	0.5	in	1.25	3.06	2.3			6 28309 12033 7
ZN		CMPNDZF14	2.2	1							6 28309 10836 6
AL	E	CMPNEAC08	1.43	0.65	mm	35	89	60	1"-8 UNC	5/16- 18 x 1	6 28309 12213 3
MG		CMPNEMC08	1.2	0.54	in	1.37	3 1/2	2.5			6 28309 11348 3
ZN		CMPNEZC08	2.5	1.14							6 28309 10838 0
AL	E	CMPNEAF14	1.43	0.65	mm	35	89	60	1"-14 UNF	5/16- 18 x 1	6 28309 12566 0
MG		CMPNEMF14	1.2	0.54	in	1.37	3.5	2.5			6 28309 12054 2
ZN		CMPNEZF14	2.5	1.14							6 28309 11510 4
AL	F	CMPNFAC07	1.75	0.79	mm	38	89	65	1 1/8"-7 UNC	5/16- 18 x 1	6 28309 12214 0
MG		CMPNFMC07	1.52	0.69	in	1.5	3.5	2.76			6 28309 11555 5
ZN		CMPNFZC07	3	1.36							6 28309 10839 7
AL	G	CMPNGAC07	2.59	1.18	mm	45	92	73	1 1/4"-7 UNC	3/8- 16 x 7/8	6 28309 12215 7
MG		CMPNGMC07	2.25	1.02	in	1.75	3.62	3.12			6 28309 11556 2
ZN		CMPNGZC07	4.4	2							6 28309 10840 3
AL	H	CMPNHAC06	3.22	1.48	mm	51	102	83	1 1/2"-6 UNC	3/8- 16 x 7/8	6 28309 12395 6
MG		CMPNHMC06	2.81	1.28	in	2	4	3.34			6 28309 11557 9
ZN		CMPNHZC06	5.25	2.39							6 28309 10841 0



IMPORTANT
PROP NUT FASTENERS:
 FASTENERS ARE INCLUDED WITH ALL REPLACEMENT PROP NUTS.
 NYLON PATCH IS GOOD FOR ONE INITIAL APPLICATION ONLY.
 PLEASE USE LOCK TITE OR TEFLON TAPE TO ENSURE MAXIMUM HOLD.

REPLACEMENT PROPELLER NUT *anodes*

TYPE	PID	LB	KG		L	OD	UPC	
AL	A	CMPNAA	0.08	0.03	mm	38	32	6 28309 11813 6
MG		CMPNMA	0.06	0.03				
ZN		CMPNZA	0.20	0.09	6 28309 10871 7			
AL	B	CMPNAB	0.20	0.09	mm	52	42	6 28309 11814 3
MG		CMPNMB	0.13	0.06				
ZN		CMPNzb	0.50	0.23	6 28309 10872 4			
AL	C	CMPNAC	0.40	0.19	mm	67	51	6 28309 11815 0
MG		CMPNMC	0.27	0.12				
ZN		CMPNZC	1.00	0.45	6 28309 10873 1			
AL	D	CMPNAD	0.63	0.29	mm	75	58	6 28309 11816 7
MG		CMPNMD	0.41	0.19				
ZN		CMPNZD	1.50	0.68	6 28309 10874 8			
AL	E	CMPNAE	0.68	0.31	mm	79	64	6 28309 11532 6
MG		CMPNME	0.45	0.20				
ZN		CMPNZE	1.75	0.31	6 28309 10875 5			
AL	F	CMPNAF	0.75	0.34	mm	84	70	6 28309 11817 4
MG		CMPNMF	0.52	0.24				
ZN		CMPNZF	2.00	0.91	6 28309 10876 2			
AL	G	CMPNAG	1.09	0.49	mm	89	79	6 28309 12216 4
MG		CMPNMG	0.75	0.34				
ZN		CMPNZG	2.91	1.32	6 28309 10877 9			
AL	H	CMPNAH	1.22	0.55	mm	98	85	6 28309 12217 1
MG		CMPNMG	0.81	0.37				
ZN		CMPNZH	3.25	1.48	6 28309 10878 6			



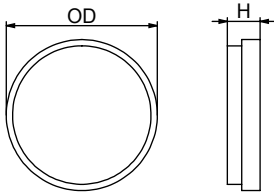
AUTOPROP™ *anodes*

	PID	LB	KG		H	OD	ID	UPC
AL	CMPNH5A	0.13	0.06	mm	33	57	7	6 28309 24242 8
MG	CMPNH5M	0.08	0.04					
ZN	CMPNH5Z	0.33	0.15	6 28309 17089 9				
AL	CMPNH6A	0.32	0.15	mm	46	74	9	6 28309 24243 5
MG	CMPNH6M	0.20	0.09					
ZN	CMPNH6Z	0.80	0.37	6 28309 17090 5				

	PID	LB	KG		OD	H	D	ID	ID1	UPC
AL	CMPNH9A	0.42	0.19	mm	89	46	62.18	40	11	6 28309 25524 4
MG	CMPNH9M	2.47	0.12							
ZN	CMPNH9Z	1.10	0.50	6 28309 25519 0						

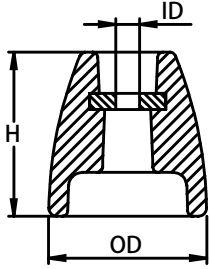
Autoprop 3-Blade Propeller H9

AZIMUT BENETTI™ anodes



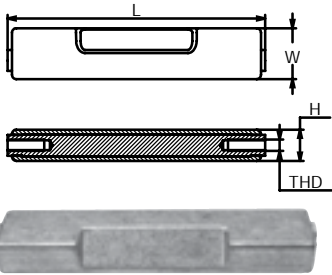
	PID	LB	KG		H	OD	UPC
ZN	CMOU687Z	33.1	15	mm	52	240	6 28309 24140 7

BRP™ (EVINRUDE JOHNSON) PROPELLER anodes



	PID	LB	KG		OD	ID	H	UPC
AL	CM5009138A	0.5	0.23	mm	58	8.8	60	6 28309 25522 0
MG	CM5009138M	0.33	0.15					6 28309 25527 5
ZN	CM5009138Z	1.28	0.58	in	2.28	0.34	2.36	6 28309 25517 6

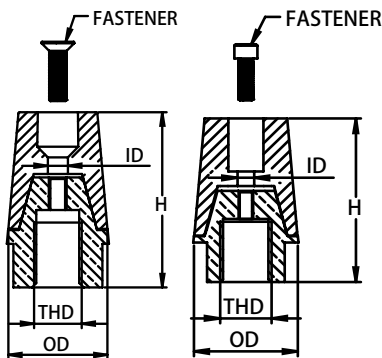
BRP Propeller Shaft Anode



	PID	LB	KG		H	L	W	THD	UPC
AL	CM5008813A	0.672	0.304	mm	21.34	174.24	34.8	M8 X 1.25	6 28309 25539 8
MG	CM5008813M	0.485	0.22						6 28309 25544 2
ZN	CM5008813Z	1.481	0.672	in	0.84	6.86	1.37		6 28309 25534 3

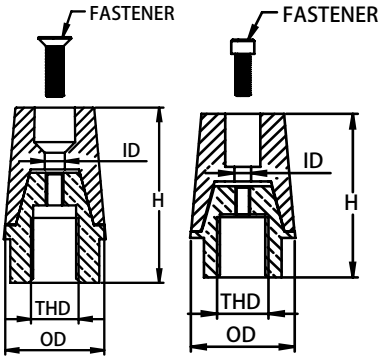
BRP Stern Bracket Anode

BENETEAU™ anodes / incl. insert & hardware



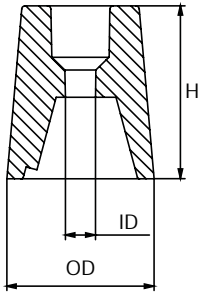
	Prop Nut Complete	PID	LB	KG	THD	Fastener counter-sink socket head w/pitch	UPC
AL	22/25 mm	CMLAEC3250A	0.25	0.11	M16 x1.5	M6 x 20 SS	6 28309 24214 5
MG		CMLAEC3250M	0.16	0.07			6 28309 24343 2
ZN		CMLAEC3250Z	0.63	0.28			6 28309 11315 5
AL	30mm	CMLAEC3300A	0.47	0.21	M20 x 1.5	M8 x 30 SS	6 28309 24215 2
MG		CMLAEC3300M	0.30	0.14			6 28309 24344 9
ZN		CMLAEC3300Z	1.19	0.54			6 28309 11316 2
AL	35mm	CMLAEC3500A	0.56	0.25	M24 x 2	M8 x 30 SS	6 28309 24216 9
MG		CMLAEC3500M	0.36	0.16			6 28309 24345 6
ZN		CMLAEC3500Z	1.44	0.65			6 28309 11317 9
AL	40mm	CMLAEC4000A	0.84	0.38	M24 x 2	M8 x 30 SS	6 28309 24217 6
MG		CMLAEC4000M	0.53	0.24			6 28309 24346 3
ZN		CMLAEC4000Z	2.13	0.97			6 28309 11318 6

BENETEAU™ anodes / incl. insert & hardware



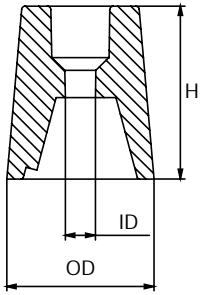
Prop Nut Complete		PID	LB	KG	THD	Fastener counter-sink socket head w/pitch	UPC
AL	45mm	CMLAEC4500A	0.86	0.39	M30 x 2	M10 x 30 SS	6 28309 24218 3
MG		CMLAEC4500M	0.55	0.25			6 28309 24347 0
ZN		CMLAEC4500Z	2.20	1.00			6 28309 11319 3
AL	45mm	CMLAEC4500EUA	2.18	0.99	M33 x 2	M10 x 25 SS	6 28309 21165 3
MG		CMLAEC4500EUM	1.94	0.88			6 28309 21193 6
ZN		CMLAEC4500EUZ	3.13	1.42			6 28309 21143 1
AL	50mm	CMLAEC5000A	3.53	1.60	M36 x 3	M10 x 30 SS	6 28309 19266 2
MG		CMLAEC5000M	3.15	1.43			6 28309 19305 8
ZN		CMLAEC5000Z	5.20	2.36			6 28309 18203 8
AL	55mm	CMLAEC5500A	4.10	1.85	M40 x 3	M10 x 30 SS	6 28309 19267 9
MG		CMLAEC5500M	3.70	1.68			6 28309 19306 5
ZN		CMLAEC5500Z	5.50	2.50			6 28309 18204 5
AL	60mm	CMLAEC6000A	6.00	2.71	M45 x 3	M10 x 30 SS	6 28309 19268 6
MG		CMLAEC6000M	5.40	2.45			6 28309 19307 2
ZN		CMLAEC6000Z	8.20	3.72			6 28309 18205 2
AL	100mm	CMLAEC10000A	10.15	4.61	M50 x 3	M10 x 30 SS	6 28309 23713 4
MG		CMLAEC10000M	9.42	4.28			6 28309 23714 1
ZN		CMLAEC10000Z	13.74	6.25			6 28309 23712 7
AL	110mm	CMLAEC11000A	Contact us for more information		M64 x 4	--	6 28309 23716 5
MG		CMLAEC11000M					6 28309 23717 2
ZN		CMLAEC11000Z					6 28309 23715 8

BENETEAU™ REPLACEMENT anodes



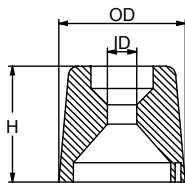
Prop Nut Replace		PID	LB	KG		H	OD	ID	UPC
AL	22/25mm	CMAN225A	0.12	0.05	mm	39	34	7	6 28309 19168 9
MG		CMAN225M	0.08	0.04					6 28309 19324 9
ZN		CMAN225Z	0.31	0.14	in	1.55	1.32	0.27	6 28309 11308 7
AL	30mm	CMAN230A	0.24	0.11	mm	54	42	8	6 28309 19169 6
MG		CMAN230M	0.16	0.07					6 28309 19325 6
ZN		CMAN230Z	0.62	0.28	in	2.11	1.65	0.32	6 28309 11309 4
AL	35mm	CMAN235A	0.22	0.10	mm	58	46	8	6 28309 19170 2
MG		CMAN235M	0.14	0.06					6 28309 19326 3
ZN		CMAN235Z	0.55	0.25	in	2.28	1.81	0.32	6 28309 11310 0

BENETEAU™ REPLACEMENT anodes

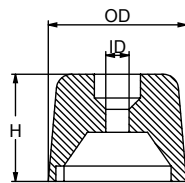


Prop Nut Replace		PID	LB	KG		H	OD	ID	UPC
AL	40mm	CMAN240A	0.42	0.19	mm	67	51	8	6 28309 19171 9
MG		CMAN240M	0.27	0.12					6 28309 19327 0
ZN		CMAN240Z	1.08	0.49	in	2.62	2.02	0.32	6 28309 11311 7
AL	45mm	CMAN245A	0.67	0.30	mm	76	61	10	6 28309 19172 6
MG		CMAN245M	0.43	0.20					6 28309 19328 7
ZN		CMAN245Z	1.70	0.77	in	2.99	2.4	0.41	6 28309 11312 4
AL	70mm	CMANCHN700A	2.16	0.98	mm	100	83	9	6 28309 12536 3
MG		CMANCHN700M	1.38	0.63					6 28309 24298 5
ZN		CMANCHN700Z	5.50	2.50	in	3.94	3.27	0.35	6 28309 12535 6
AL	45mm	CMAN245EUA	0.66	0.30	mm	74	59	11	6 28309 21164 6
MG		CMAN245EUM	0.42	0.19					6 28309 21188 2
ZN		CMAN245EUZ	1.61	0.73	in	2.9	2.3	0.4	6 28309 21140 0
AL	50mm	CMAN250A	1.01	0.46	mm	84	71	12	6 28309 19329 4
MG		CMAN250M	0.64	0.29					6 28309 19330 0
ZN		CMAN250Z	2.49	1.13	in	3.3	2.8	0.5	6 28309 18004 1
AL	55mm	CMAN255A	0.99	0.45	mm	84	72	11	6 28309 19331 7
MG		CMAN255M	0.62	0.28					6 28309 19332 4
ZN		CMAN255Z	2.47	1.12	in	3.3	2.8	0.4	6 28309 18005 8
AL	60mm	CMAN260A	1.57	0.71	mm	96	81	11	6 28309 19333 1
MG		CMAN260M	0.99	0.45					6 28309 19334 8
ZN		CMAN260Z	3.88	1.76	in	3.8	3.2	0.4	6 28309 18006 5

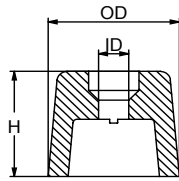
FERRETTI™ anodes



	PID	LB	KG		H	OD	ID	UPC
AL	CMFE1A	0.42	0.19	mm	65	50	10	6 28309 23634 2
MG	CMFE1M	0.26	0.12					6 28309 23635 9
ZN	CMFE1Z	1.10	0.50	in	2.6	2	0.38	6 28309 23636 6

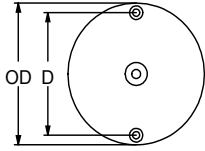


	PID	LB	KG		H	OD	ID	UPC
AL	CMFE2A	0.86	0.39	mm	90	59	10	6 28309 23637 3
MG	CMFE2M	0.55	0.25					6 28309 23638 0
ZN	CMFE2Z	2.25	1.02	in	3.5	2.3	0.38	6 28309 23639 7

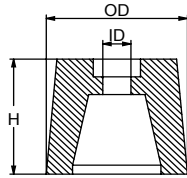


FERRETTI™ anodes

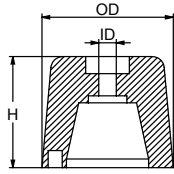
	PID	LB	KG		H	OD	ID	UPC
AL	CMFE3A	0.46	0.21	mm	65	50	7	6 28309 23640 3
MG	CMFE3M	0.28	0.13					6 28309 23641 0
ZN	CMFE3Z	1.19	0.54	in	2.6	2	0.28	6 28309 23642 7



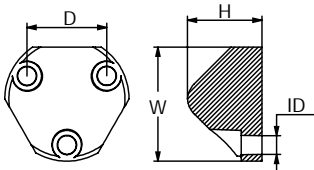
	PID	LB	KG		H	OD	UPC
AL	CMFE80A	10.82	4.91	mm	125	155	6 28309 23649 6
MG	CMFE80M	6.9	3.13				6 28309 23650 2
ZN	CMFE80Z	28.7	13	in	4.9	6.1	6 28309 23651 9



	PID	LB	KG		H	OD	ID	UPC
AL	CMFE4A	0.77	0.35	mm	75	60	10	6 28309 23643 4
MG	CMFE4M	0.48	0.22					6 28309 23644 1
ZN	CMFE4Z	2.00	0.91	in	2.9	2.4	0.4	6 28309 23645 8



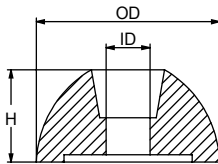
	PID	LB	KG		H	OD	ID	UPC
AL	CMFE5A	1.54	0.70	mm	95	74	13.8	6 28309 23646 5
MG	CMFE5M	0.99	0.45					6 28309 23647 2
ZN	CMFE5Z	4.05	1.84	in	3.7	2.9	0.54	6 28309 23648 9



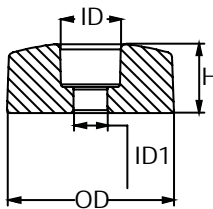
FLEXOFOLD™ anodes



	PID	LB	KG		H	W	D	ID	UPC
AL	SGFF652A	0.28	0.129	mm	36	55	38.5	9	6 28309 18388 2
MG	SGFF652M	0.18	0.083						6 28309 18389 9
ZN	SGFF652Z	0.72	0.327	in	1.42	2.16	1.51	0.35	6 28309 18288 5



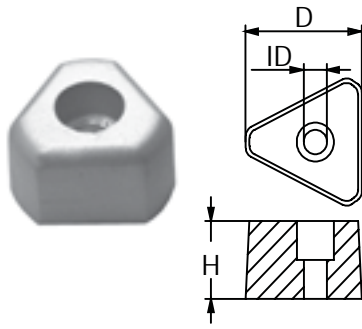
	PID	LB	KG		OD	ID	H	UPC
AL	CMPNFXA	0.40	0.19	mm	67	8	38	6 28309 17572 6
MG	CMPNFXM	0.25	0.11					6 28309 17621 1
ZN	CMPNFXZ	1.00	0.46	in	2.6	0.33	1.5	6 28309 17088 2



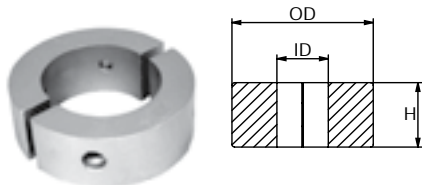
	PID	LB	KG		OD	H	ID	ID1	UPC
AL	CMPNFF2A	0.04	0.02	mm	31.7	13.3	11.25	6.4	6 28309 25185 7
MG	CMPNFF2M	0.03	0.01						6 28309 25186 4
ZN	CMPNFF2Z	0.12	0.05	in	1.25	0.52	0.44	0.25	6 28309 25184 0

Flex-O-Fold 2-Blade Propeller Anode

GORI™ anodes

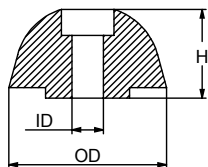


	PID	LB	KG		D	ID	H	UPC
AL	CM14072100A	0.03	0.014	mm	24	8	16	6 28309 23056 2
MG	CM14072100M	0.02	0.009					6 28309 23072 2
ZN	CM14072100Z	0.08	0.04	in	0.9	0.33	0.6	6 28309 23038 8
AL	CM14073100A	0.04	0.017	mm	25	7	16	6 28309 23057 9
MG	CM14073100M	0.02	0.011					6 28309 23073 9
ZN	CM14073100Z	0.11	0.05	in	1	0.26	0.6	6 28309 23039 5
AL	CM14074100A	0.07	0.034	mm	31	7	20	6 28309 23058 6
MG	CM14074100M	0.04	0.021					6 28309 23074 6
ZN	CM14074100Z	0.20	0.09	in	1.2	0.26	0.8	6 28309 23040 1
AL	CM14074511A	0.23	0.1	mm	40	7	33	6 28309 23059 3
MG	CM14074511M	0.15	0.07					6 28309 23075 3
ZN	CM14074511Z	0.57	0.26	in	1.6	0.26	1.3	6 28309 23041 8

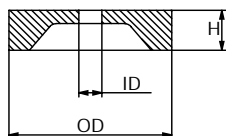


	PID	LB	KG		D	ID	H	UPC	
AL	CM15539500A	0.77	0.35	mm	95	60	34	6 28309 23063 0	(3-BLADE SAILDRIVE)
MG	CM15539500M	0.48	0.22					6 28309 23079 1	
ZN	CM15539500Z	2.09	0.95	in	3.7	2.4	1.3	6 28309 23045 6	
AL	CM15540000A	1.10	0.50	mm	95	63	47	6 28309 23064 7	(3-BLADE SHAFT)
MG	CM15540000M	0.70	0.32					6 28309 23080 7	
ZN	CM15540000Z	2.95	1.34	in	3.7	2.5	1.8	6 28309 23046 3	
AL	CM15530000A	0.70	0.32	mm	83	53	40	6 28309 23062 3	(3-BLADE SHAFT)
MG	CM15530000M	0.44	0.20					6 28309 23078 4	
ZN	CM15530000Z	1.90	0.86	in	3.3	2.1	1.6	6 28309 23044 9	
AL	CM15500000A	1.72	0.78	mm	127	90	50	6 28309 23060 9	(3-BLADE SHAFT)
MG	CM15500000M	1.10	0.50					6 28309 23076 0	
ZN	CM15500000Z	4.65	2.11	in	5	3.5	2	6 28309 23042 5	
AL	CM15670000A	0.44	0.20	mm	97	80	40	6 28309 23065 4	(3-BLADE SAILDRIVE)
MG	CM15670000M	0.28	0.13					6 28309 23081 4	
ZN	CM15670000Z	1.28	0.58	in	3.8	3.1	1.6	6 28309 23047 0	
AL	CM15527500A	0.28	0.13	mm	80	55	23	6 28309 23061 6	(3-BLADE SAILDRIVE)
MG	CM15527500M	0.17	0.08					6 28309 23077 7	
ZN	CM15527500Z	0.75	0.34	in	3.2	2.2	0.9	6 28309 23043 2	

J-PROP™ anodes

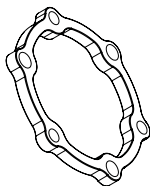
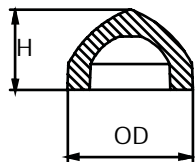
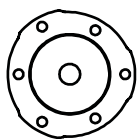


PID		LB	KG		OD	ID	H	UPC
AL	CMJPROP60A	0.26	0.12	mm	60	9	25	6 28309 20969 8
MG	CMJPROP60M	0.18	0.08					6 28309 20990 2
ZN	CMJPROP60Z	0.71	0.32	in	2.4	0.34	1	6 28309 20948 3
AL	CMJPROP80A	0.64	0.29	mm	80	10	33	6 28309 23676 2
MG	CMJPROP80M	0.39	0.18					6 28309 23677 9
ZN	CMJPROP80Z	1.63	0.74	in	3.1	0.4	1.3	6 28309 23678 6
AL	CMJPROP90A	0.84	0.38	mm	90	10	37	6 28309 23679 3
MG	CMJPROP90M	0.53	0.24					6 28309 23680 9
ZN	CMJPROP90Z	2.34	1.06	in	3.5	0.4	1.5	6 28309 23681 6



PID		LB	KG		OD	ID	H	UPC
AL	CMJP60A	0.19	0.09	mm	60	9	15	6 28309 24213 8
MG	CMJP60M	0.12	0.05					6 28309 24339 5
ZN	CMJP60Z	0.50	0.22	in	2.4	0.3	0.6	6 28309 24135 3

MAX PROP™ anodes

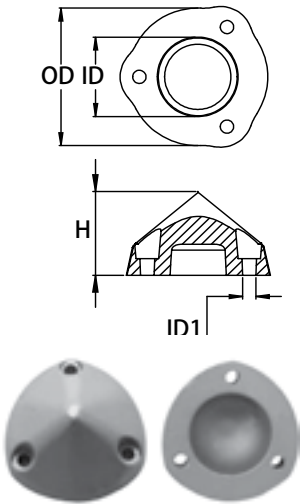


(COMES WITH INSERT - NEW DESIGN)

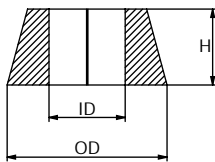
PID		LB	KG		OD	H	Fastener	UPC
AL	CMMP63RA	0.25	0.11	mm	61	38	M5 x 20	6 28309 17062 2
MG	CMMP63RM	0.16	0.07					6 28309 17053 0
ZN	CMMP63RZ	0.64	0.29	in	2.4	1.5		6 28309 10738 3
AL	CMMP70RA	0.45	0.20	mm	68	43	M4 x 20	6 28309 17063 9
MG	CMMP70RM	0.29	0.13					6 28309 17054 7
ZN	CMMP70RZ	1.14	0.52	in	2.63	1.75		6 28309 10739 0
AL	CMMP83RA	0.65	0.29	mm	79	57	M5 x 20	6 28309 17064 6
MG	CMMP83RM	0.41	0.19					6 28309 17055 4
ZN	CMMP83RZ	1.65	0.75	in	3.13	2.25		6 28309 10740 6



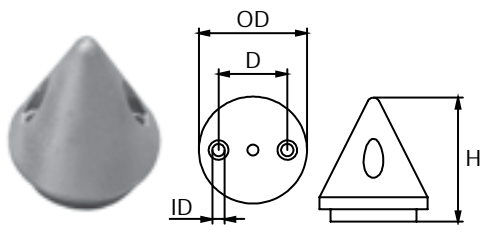
MAX PROP™ anodes



	PID	LB	KG		OD	H	Fastener	UPC
AL	CMMP63MA	0.24	0.11	mm	65	40	M5 x 20SS	6 28309 23727 1
MG	CMMP63MM	0.15	0.07					6 28309 23728 8
ZN	CMMP63MZ	0.60	0.30	in	2.56	1.57		6 28309 23729 5
AL	CMMP70MA	0.28	0.13	mm	72	45		6 28309 23733 2
MG	CMMP70MM	0.17	0.08					6 28309 23734 9
ZN	CMMP70MZ	0.84	0.38	in	2.83	1.77		6 28309 23735 6
AL	CMMP83MA	0.73	0.33	mm	85	65	M6 x 25SS	6 28309 23739 4
MG	CMMP83MM	0.46	0.21					6 28309 23740 0
ZN	CMMP83MZ	1.74	0.79	in	3.45	2.56		6 28309 23741 7
AL	CMMP100MA	0.81	0.37	mm	100	70		6 28309 23068 5
MG	CMMP100MM	0.53	0.24					6 28309 23084 5
ZN	CMMP100MZ	2.14	0.97	in	3.94	2.76		6 28309 23052 4
AL	CMMP125MA	1.87	0.85	mm	130	80	--	6 28309 23718 9
MG	CMMP125MM	1.32	0.60					6 28309 23719 6
ZN	CMMP125MZ	6.11	2.77	in	5.12	3.15		6 28309 23720 2



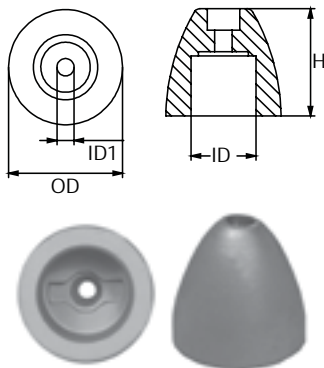
	PID	LB	KG		OD	ID	H	UPC
AL	CMMP70SDA	0.62	0.28	mm	93	42	28	6 28309 23736 3
MG	CMMP70SDM	0.42	0.19					6 28309 23737 0
ZN	CMMP70SDZ	1.55	0.71	in	3.7	1.6	1.1	6 28309 23738 7
AL	CMMP83SDA	0.57	0.26	mm	93	46	28	6 28309 23742 4
MG	CMMP83SDM	0.39	0.18					6 28309 23743 1
ZN	CMMP83SDZ	1.44	0.65	in	3.7	1.8	1.1	6 28309 23744 8



MAX PROP™ anodes

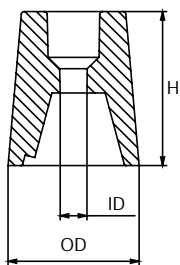
	PID	LB	KG		OD	D	ID	H	UPC
AL	CMMP63M2BA	0.15	0.07	mm	44	28	4	51	6 28309 23724 0
MG	CMMP63M2BM	0.09	0.04						6 28309 23725 7
ZN	CMMP63M2BZ	0.46	0.21	in	1.7	1.1	0.17	2	6 28309 23726 4

MTF™ anodes



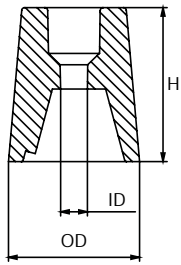
	PID	LB	KG		OD	ID	ID1	H	UPC
AL	CMMTF1A	0.11	0.049	mm	38	28	7	38	6 28309 23745 5
MG	CMMTF1M	0.07	0.031						6 28309 23746 2
ZN	CMMTF1Z	0.28	0.129	in	1.5	1.10	0.27	1.5	6 28309 23747 9
AL	CMMTF2A	0.28	0.128	mm	53	35	7	50	6 28309 23748 6
MG	CMMTF2M	0.18	0.081						6 28309 23749 3
ZN	CMMTF2Z	0.73	0.334	in	2.1	1.4	0.26	2	6 28309 23750 9
AL	CMMTF3A	0.64	0.293	mm	65.5	45	7	77	6 28309 23751 6
MG	CMMTF3M	0.41	0.185						6 28309 23752 3
ZN	CMMTF3Z	1.68	0.764	in	2.6	1.8	0.28	3	6 28309 23753 0

RADICE™ anodes



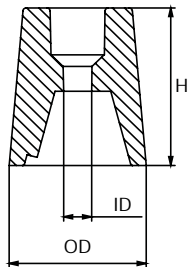
	PID	LB	KG		OD	ID	H	THD	Fastener	UPC
AL	CMLAEC3250EUA	0.45	0.21	mm	33	7	39	M16 x 1.5	M6 x 16SS	6 28309 21488 3
MG	CMLAEC3250EUM	0.41	0.19							6 28309 21489 0
ZN	CMLAEC3250EUZ	0.61	0.28	in	1.28	0.27	1.54			6 28309 21490 6
AL	CMLAEC3300EUA	0.87	0.40	mm	44	9	52	M20 x 1.5	M8 x 25SS	6 28309 21491 3
MG	CMLAEC3300EUM	0.77	0.35							6 28309 21492 0
ZN	CMLAEC3300EUZ	1.31	0.59	in	1.73	0.35	2.05			6 28309 21493 7
AL	CMLAEC3500EUA	1.05	0.48	mm	44	9	52	M24 x 2	M8 x 25SS	6 28309 21494 4
MG	CMLAEC3500EUM	0.96	0.44							6 28309 21495 1
ZN	CMLAEC3500EUZ	1.41	0.64	in	1.73	0.35	2.05			6 28309 21496 8
AL	CMLAEC4000EUA	1.54	0.70	mm	50	9	65	M24 x 2	M8 x 25SS	6 28309 21497 5
MG	CMLAEC4000EUM	1.39	0.63							6 28309 21498 2
ZN	CMLAEC4000EUZ	2.17	0.99	in	1.97	0.35	2.56			6 28309 21499 9

RADICE™ anodes

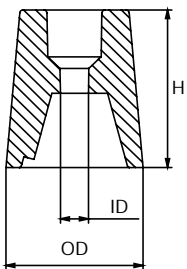


	PID	LB	KG		OD	ID	H	THD	Fastener	UPC
AL	CMLAEC4500EUA	0.66	0.30	mm	50	10	74	M32 x 2	M10 x 30SS	6 28309 21165 3
MG	CMLAEC4500EUM	0.42	0.19							6 28309 21193 6
ZN	CMLAEC4500EUZ	1.57	0.73							in
AL	CMLAEC5000A	3.53	1.60	mm	71	--	113	M36 X2	M10 X30	6 28309 19266 2
MG	CMLAEC5000M	3.15	1.43							6 28309 19305 8
ZN	CMLAEC5000Z	5.20	2.36							in
AL	CMLAEC5500A	4.10	1.85	mm	72	--	127	M40 X3	M10 X30	6 28309 19267 9
MG	CMLAEC5500M	3.70	1.68							6 28309 19306 5
ZN	CMLAEC5500Z	5.50	2.50							in
AL	CMLAEC6000A	6.00	2.71	mm	81	--	139	M45 X3	M10 X30	6 28309 19268 6
MG	CMLAEC6000M	5.40	2.45							6 28309 19307 2
ZN	CMLAEC6000Z	8.20	3.72							in
AL	CMLAEC10000A	9.11	4.13	mm	98	--	98	M50 X3	M10 X30	6 28309 23713 4
MG	CMLAEC10000M	8.20	3.72							6 28309 23714 1
ZN	CMLAEC10000Z	12.45	5.64							in
AL	CMLAEC11000A	Contact us for more information		mm	160	--	134	M64 X4	--	6 28309 23716 5
MG	CMLAEC11000M			in	6.30	--	5.28			6 28309 23717 2
ZN	CMLAEC11000Z			in	6.30	--	5.28			6 28309 23715 8

RADICE™ REPLACEMENT anodes



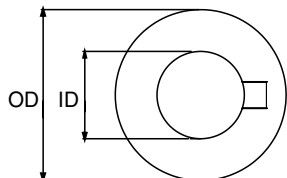
	PID	LB	KG		OD	ID	H	UPC
AL	CMAN225EUA	0.11	0.05	mm	33	7	39	6 28309 20965 0
MG	CMAN225EUM	0.07	0.03					6 28309 20986 5
ZN	CMAN225EUZ	0.26	0.12					in
AL	CMAN230EUA	0.28	0.13	mm	44	9	52	6 28309 20966 7
MG	CMAN230EUM	0.18	0.08					6 28309 20987 2
ZN	CMAN230EUZ	0.72	0.33					in
AL	CMAN235EUA	0.24	0.11	mm	44	9	52	6 28309 20967 4
MG	CMAN235EUM	0.15	0.07					6 28309 20988 9
ZN	CMAN235EUZ	0.61	0.28					in



RADICE™ REPLACEMENT *anodes*

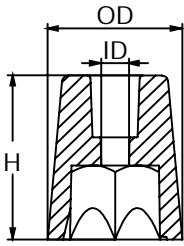
PID		LB	KG		OD	ID	H	UPC
AL	CMAN240EUA	0.41	0.19	mm	50	9	65	6 28309 20968 1
MG	CMAN240EUM	0.26	0.12					6 28309 20988 6
ZN	CMAN240EUZ	1.03	0.47	in	1.97	0.35	2.56	6 28309 20947 6
AL	CMAN245EUA	0.66	0.30	mm	59	48	74	6 28309 21164 6
MG	CMAN245EUM	0.42	0.19					6 28309 21188 2
ZN	CMAN245EUZ	1.61	0.73	in	2.32	1.89	2.91	6 28309 21140 0
AL	CMAN250A	1.01	0.46	mm	71	12	84	6 28309 19329 4
MG	CMAN250M	0.64	0.29					6 28309 19330 0
ZN	CMAN250Z	2.49	1.13	in	2.8	0.5	3.3	6 28309 18004 1
AL	CMAN255A	0.99	0.45	mm	72	11	84	6 28309 19331 7
MG	CMAN255M	0.62	0.28					6 28309 19332 4
ZN	CMAN255Z	2.47	1.12	in	2.8	0.4	3.3	6 28309 18005 8
AL	CMAN260A	1.57	0.71	mm	81	11	96	6 28309 19333 1
MG	CMAN260M	0.99	0.45					6 28309 19334 8
ZN	CMAN260Z	3.88	1.76	in	3.2	0.4	3.8	6 28309 18006 5
AL	CMAN2100A	2.07	0.94	mm	99	11	100	6 28309 23066 1
MG	CMAN2100M	1.32	0.60					6 28309 23082 1
ZN	CMAN2100Z	5.36	2.43	in	3.90	0.43	3.94	6 28309 23050 0
AL	CMAN2110A	6.60	3.00	mm	160	130	134	6 28309 23544 4
MG	CMAN2110M	4.12	1.87					6 28309 23545 1
ZN	CMAN2110Z	16.9	7.65	in	6.30	5.12	5.28	6 28309 23546 8

RADICE™ *anodes*

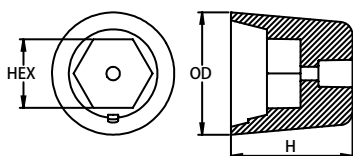


PID	LB	KG		OD	ID	Shaft	UPC
WASHRAD2225C	0.01	0.005	mm	38	17	25	6 28309 20914 8
			in	1.50	0.67		
WASHRAD30C	0.02	0.01	mm	46	20	30	6 28309 20915 5
			in	1.81	0.79		
WASHRAD35C	0.02	0.01	mm	51	24	35	6 28309 20916 2
			in	2.00	0.94		
WASHRAD40C	0.03	0.02	mm	54	24	40	6 28309 20917 9
			in	2.12	0.94		
WASHRAD45C	0.04	0.02	mm	66	33	45	6 28309 20918 6
			in	2.60	1.30		
WASHRAD50C	0.06	0.03	mm	76	36	50	6 28309 20919 3
			in	3.00	1.42		
WASHRAD55C	0.07	0.03	mm	81	40	55	6 28309 20920 9
			in	3.20	1.57		
WASHRAD60C	0.08	0.04	mm	90	46	60	6 28309 20921 6
			in	3.54	1.81		
WASHRAD100C	0.11	0.05	mm	104	52	100	6 28309 24698 3
			in	4.09	2.05		

RADICE™ anodes / hexagonal



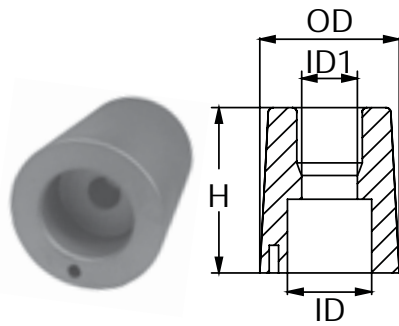
	PID	LB	KG		OD	ID	H	THD	Fastener	UPC
AL	CMPNRAD225CA	0.26	0.12	mm	33	7	40	M16 x 1.5	M6 X 20	6 28309 23296 2
MG	CMPNRAD225CM	0.17	0.08							6 28309 24366 1
ZN	CMPNRAD225CZ	0.66	0.30							6 28309 16018 0
AL	CMPNRAD30CA	0.29	0.13	mm	42	9	53	M20 x 1.5	M8 X 20	6 28309 23297 9
MG	CMPNRAD30CM	0.46	0.21							6 28309 24367 8
ZN	CMPNRAD30CZ	1.17	0.53							in
AL	CMPNRAD35CA	0.63	0.29	mm	46	9	62	M24 x 2	M8 X 25	6 28309 23298 6
MG	CMPNRAD35CM	0.4	0.18							6 28309 24368 5
ZN	CMPNRAD35CZ	1.61	0.73							in
AL	CMPNRAD40CA	0.91	0.41	mm	52	9	67	M24 X 2	M8 X 20	6 28309 23299 3
MG	CMPNRAD40CM	0.56	0.25							6 28309 24369 2
ZN	CMPNRAD40CZ	2.31	1.05							in
AL	CMPNRAD45CA	1.38	0.63	mm	61	11	76	M33 x 2	M10 X 25	6 28309 23300 6
MG	CMPNRAD45CM	0.88	0.40							6 28309 24370 8
ZN	CMPNRAD45CZ	3.52	1.60							in
AL	CMPNRAD50C	2.18	0.99	mm	72	11	83	M36 x 3	M10 x 35	6 28309 23301 3
MG	CMPNRAD50MC	1.39	0.63							6 28309 24371 5
ZN	CMPNRAD50ZC	5.55	2.52							in
AL	CMPNRAD55AC	2.4	1.1	mm	75	11	87	M40 x 3	M10 x 35	6 28309 24244 2
MG	CMPNRAD55MC	1.53	0.69							6 28309 24372 2
ZN	CMPNRAD55C	6.12	2.78							in
AL	CMPNRAD60AC	3.07	1.39	mm	83	11	98	M45 x 3	M10 x 35	6 28309 24245 9
MG	CMPNRAD60MC	1.96	0.89							6 28309 24373 9
ZN	CMPNRAD60C	7.84	3.56							in
AL	CMPNRAD100AC	8.98	4.08	mm	97	11	96	M50 x 3	M10 x 35	6 28309 23775 2
MG	CMPNRAD100MC	8.18	3.72							6 28309 23777 6
ZN	CMPNRAD100C	12.47	5.67							in



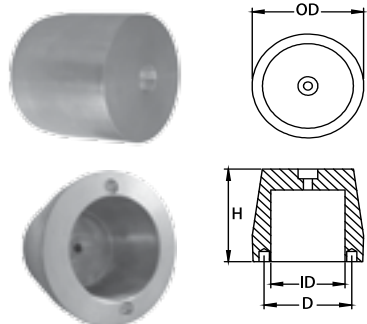
RADICE™ REPLACEMENT *anodes / hexagonal*

	PID	LB	KG		OD	HEX	H	UPC
AL	CMPNRAD225A	0.10	0.05	mm	33	22	40	6 28309 19269 3
MG	CMPNRAD225M	0.06	0.03					6 28309 19308 9
ZN	CMPNRAD225Z	0.26	0.12	in	1.30	0.87	1.57	6 28309 16017 3
AL	CMPNRAD30A	0.22	0.10	mm	42	27	53	6 28309 19270 9
MG	CMPNRAD30M	0.14	0.06					6 28309 19309 6
ZN	CMPNRAD30Z	0.57	0.26	in	1.65	1.06	2.09	6 28309 16019 7
AL	CMPNRAD35A	0.30	0.14	mm	46	32	62	6 28309 19271 6
MG	CMPNRAD35M	0.19	0.09					6 28309 19310 2
ZN	CMPNRAD35Z	0.77	0.35	in	1.81	1.26	2.44	6 28309 16021 0
AL	CMPNRAD40A	0.42	0.19	mm	52	36	67	6 28309 19272 3
MG	CMPNRAD40M	0.26	0.12					6 28309 19311 9
ZN	CMPNRAD40Z	1.08	0.49	in	2.05	1.42	2.64	6 28309 16023 4
AL	CMPNRAD45A	0.69	0.31	mm	61	41	76	6 28309 19273 0
MG	CMPNRAD45M	0.43	0.20					6 28309 19312 6
ZN	CMPNRAD45Z	1.76	0.80	in	2.40	1.61	2.99	6 28309 16025 8
AL	CMPNRAD50A	1.02	0.47	mm	72	46	83	6 28309 19274 7
MG	CMPNRAD50M	0.64	0.29					6 28309 19313 3
ZN	CMPNRAD50Z	2.62	1.19	in	2.83	1.81	3.23	6 28309 16027 2
AL	CMPNRAD55A	1.06	0.48	mm	75	50	87	6 28309 19275 4
MG	CMPNRAD55M	0.66	0.30					6 28309 16029 6
ZN	CMPNRAD55Z	2.71	1.21	in	2.95	1.97	3.43	6 28309 19314 0
AL	CMPNRAD60A	1.41	0.64	mm	83	55	98	6 28309 19276 1
MG	CMPNRAD60M	0.88	0.40					6 28309 19315 7
ZN	CMPNRAD60Z	3.61	1.64	in	3.23	2.17	3.86	6 28309 16031 9
AL	CMPNRAD100A	2.09	0.95	mm	97	54	96	6 28309 23774 5
MG	CMPNRAD100M	1.32	0.60					6 28309 23776 9
ZN	CMPNRAD100Z	5.49	2.49	in	3.82	2.13	3.78	6 28309 23778 3

REGGIANI™ anodes



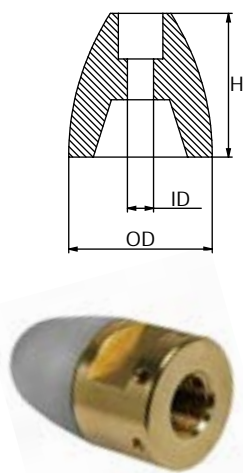
	PID	LB	KG		OD	ID	ID1	H	Shaft	UPC
AL	CMRG20A	0.06	0.03	mm	28	15	7	30	20	6 28309 23786 8
MG	CMRG20M	0.04	0.02							6 28309 23787 5
ZN	CMRG20Z	0.17	0.08							6 28309 23788 2
				in	1.1	0.6	0.28	1.2		
AL	CMRG25A	0.11	0.05	mm	34	20	7	34	25	6 28309 23069 2
MG	CMRG25M	0.06	0.03							6 28309 23085 2
ZN	CMRG25Z	0.30	0.14							6 28309 23053 1
				in	1.3	0.8	0.28	1.3		
AL	CMRG30A	0.28	0.13	mm	44	25	7	50	30	6 28309 23070 8
MG	CMRG30M	0.17	0.08							6 28309 23086 9
ZN	CMRG30Z	0.93	0.42							6 28309 23054 8
				in	1.7	1	0.27	2		
AL	CMRG35A	0.37	0.17	mm	48	28	9	55	35	6 28309 23071 5
MG	CMRG35M	0.22	0.10							6 28309 23087 6
ZN	CMRG35Z	0.92	0.42							6 28309 23055 5
				in	1.9	1.1	0.34	2.2		
AL	CMRG40A	0.44	0.20	mm	54	34	11	55	40	6 28309 23789 9
MG	CMRG40M	0.26	0.12							6 28309 23790 5
ZN	CMRG40Z	1.21	0.54							6 28309 23791 2
				in	2.1	1.3	0.41	2.2		
AL	CMRG45A	0.77	0.35	mm	64	40	12	63	45	6 28309 23792 9
MG	CMRG45M	0.48	0.22							6 28309 23793 6
ZN	CMRG45Z	2.09	0.95							6 28309 23794 3
				in	2.5	1.6	0.47	2.5		
AL	CMRG50A	1.21	0.55	mm	74	45	11	75	50	6 28309 23795 0
MG	CMRG50M	0.77	0.35							6 28309 23796 7
ZN	CMRG50Z	3.39	1.54							6 28309 23797 4
				in	2.9	1.8	0.44	3		
AL	CMRG55A	1.39	0.63	mm	78	49	10.5	75	55	6 28309 23798 1
MG	CMRG55M	0.90	0.41							6 28309 23799 8
ZN	CMRG55Z	3.59	1.63							6 28309 23800 1
				in	3.1	1.9	0.41	3		
AL	CMRG60A	2.14	0.97	mm	88	55	10.5	85	60	6 28309 23801 8
MG	CMRG60M	1.41	0.64							6 28309 23802 5
ZN	CMRG60Z	5.29	2.40							6 28309 23803 2
				in	3.5	2.2	0.41	3.3		



RIVA™ anodes

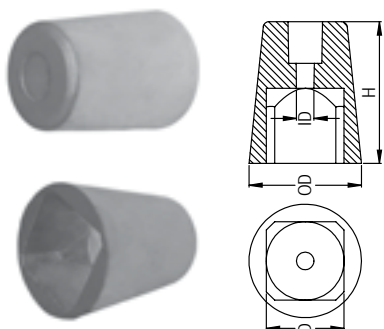
	PID	LB	KG		OD	ID	D	H	UPC
AL	CMOU686A	5.88	2.67	mm	140	93	110	125	6 28309 24227 5
MG	CMOU686M	3.72	1.69						3 28309 24360 9
ZN	CMOU686Z	15.36	6.97	in	5.51	3.66	4.33	4.92	6 28309 24139 1

SPLENDIDA 72



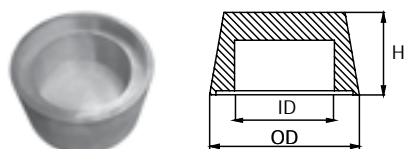
	PID	LB	KG	Shaft	Ø Fil.	UPC
ZN	CMRV221615Z	0.82	0.37	22-25	16 X 1.5	6 28309 24144 5
ZN	CMRV221620Z	0.49	0.22	22-25	16 X 2	6 28309 24145 2
AL	CMRV2518175A	0.66	0.30	25	18 X 1.75	6 28309 23807 0
MG	CMRV2518175M	0.62	0.28	25	18 X 1.75	6 28309 23808 7
ZN	CMRV2518175Z	0.82	0.37	25	18 X 1.75	6 28309 23809 4
AL	CMRV251815A	0.66	0.30	25	18 X 1.5	6 28309 23804 9
MG	CMRV251815M	0.62	0.28	25	18 X 1.5	6 28309 23805 6
ZN	CMRV251815Z	0.82	0.37	25	18 X 1.5	6 28309 23806 3
ZN	CMRV251820Z	0.82	0.37	25	18 X 2	6 28309 24146 9
ZN	CMRV302015Z	0.82	0.37	30	20 X 1.5	6 28309 24147 6
ZN	CMRV352420Z	2.76	1.25	35	24 X 2	6 28309 24148 3
ZN	CMRV402620Z	2.16	0.98	40	26 X 2	6 28309 24149 0
ZN	CMRV2230Z	0.82	0.37	Pilot hole	22 - 30	6 28309 24432 3
ZN	CMRV3550Z	2.20	1.40	Pilot hole	35 - 50	6 28309 24433 0

INTERNAL SQUARE anodes



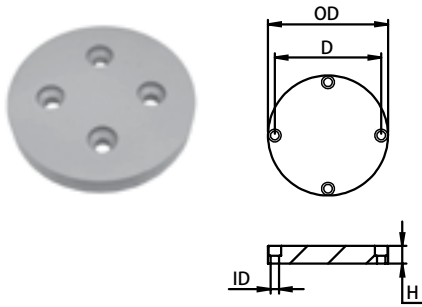
	PID	LB	KG		OD	ID	H	D	UPC
ZN	CMIQ648Z	2.16	0.98	mm	68	11	85	47	6 28309 23675 5
				in	2.68	0.43	3.35	1.85	

S.LORENZO™ anodes



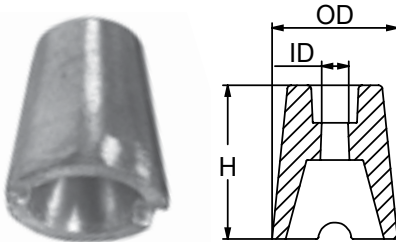
	PID	LB	KG		OD	ID	H	UPC
ZN	CMOU688Z	46.30	21.00	mm	240	75	130	6 28309 24141 4
				in	9.4	2.9	5.1	

SHAFRAN™ anodes



	PID	LB	KG		OD	D	ID	H	UPC
ZN	CMSH579Z	5.01	2.27	mm	148	80	12	20	6 28309 23906 0
				in	5.8	3.1	0.47	0.8	
ZN	CMSH587Z	5.01	2.27	mm	148	110	12	20	6 28309 23907 7
				in	5.8	4.3	0.47	0.8	
ZN	CMSH649Z	4.26	1.93	mm	135	115	8	20	6 28309 23908 4
				in	5.3	4.5	0.31	0.8	
ZN	CMSH650Z	5.60	2.54	mm	140	110	12	25	6 28309 23909 1
				in	5.5	4.3	0.47	1	
ZN	CMSH651Z	4.42	2.01	mm	125	105	12	25	6 28309 23910 7
				in	4.9	4.1	0.47	1	
AL	CMSH732A	3.17	1.44	mm	169	150	12	25	6 28309 23917 6
MG	CMSH732M	2	0.91						6 28309 23923 7
ZN	CMSH732Z	8.27	3.75	in	6.29	5.90	0.47	0.98	6 28309 23911 4

SOLE™ anodes



	PID	LB	KG		OD	ID	H	UPC
AL	CMPNSOLE1A	0.09	0.04	mm	32	7	39	6 28309 19277 8
MG	CMPNSOLE1M	0.06	0.03					6 28309 19316 4
ZN	CMPNSOLE1Z	0.24	0.11	in	1.26	0.26	1.5	6 28309 16033 3
AL	CMPNSOLE2A	0.17	0.08	mm	37	9	45	6 28309 19278 5
MG	CMPNSOLE2M	0.11	0.05					6 28309 19317 1
ZN	CMPNSOLE2Z	0.44	0.20	in	1.46	0.34	1.77	6 28309 16034 0
AL	CMPNSOLE3A	0.33	0.15	mm	45	9	60	6 28309 19279 2
MG	CMPNSOLE3M	0.21	0.10					6 28309 19318 8
ZN	CMPNSOLE3Z	0.84	0.38	in	1.77	0.34	2.36	6 28309 16035 7
AL	CMPNSOLE4A	0.48	0.22	mm	55	9	70	6 28309 19280 8
MG	CMPNSOLE4M	0.31	0.14					6 28309 19319 5
ZN	CMPNSOLE4Z	1.23	0.56	in	2.17	0.34	2.76	6 28309 16036 4

