

NorSap 800 Series

The popular choice of operator chairs.

NorSap 800 series is the lightest chair model from NorSap and a popular choice for smaller operator bases and vessels due to the small space it occupies.

Functions

- Fixed or height adjustable column
- Adjustable foot rest, with vertical adjustment
- Extra foot rest loop
- Adjustable arm rests, tilt able
- Adjustable back rest and seat rest
- Storage net on the back rest
- The foot rest and armrests folds up
- Chair swivels 360°
- Available in fixed seating
- Glide rails provide horizontal adjustment

Optional

- 2 point seat belt
- Heated seat
- Lumbar support
- Additional seat cover
- Deck rail mounting
- Personal upholstery combination and embroidery. See page 26.



Article number and description

Flanged Chairs (to be mounted on deck or deck rail)

Article number	Description	Sitting height measurements
6200	NorSap 800 with gas dampened height adjustable column	70 - 87 cm
6205	NorSap 800 with gas dampened height adjustable column - Delivered with out foot rest front loop	70 - 87 cm
6170	NorSap 800 with gas dampened height adjustable column, no foot rest	50 - 60 cm
6171	NorSap 800 with gas dampened height adjustable column, no foot rest	46 - 56 cm
6100	NorSap 800 with manual height adjustable column	62 - 79 cm
6101	NorSap 800 with fixed height column	87 cm
6110	NorSap 800 fixed seat top, fixed height column	43 cm
6105	NorSap 800 fixed height column, no foot rest	87 cm

5-star legged chair (free-standing office chair, optionally fixed to the deck)

6130	NorSap 800 Office with gas dampened height adjustable column	72 - 89 cm
6150	NorSap 800 Office with gas dam. height adj. column, no foot rest	52 - 62 cm
6140	NorSap 800 Office with fixed column	56 cm
6141	NorSap 800 Office with fixed column, no foot rest	66 cm

Seat tops only (to be mounted on casing)

R-0012	NorSap 800 Seat top only - With glide rails
R-0044	NorSap 800 Fixed seat top only
6465	Adapter plate for mounting the seat top on a flat base

Extra equipment

6283	Additional seat cover in fabric
6284	Additional water repellent seat cover in artificial leather
6461	2 Points seat belt

Deck rail

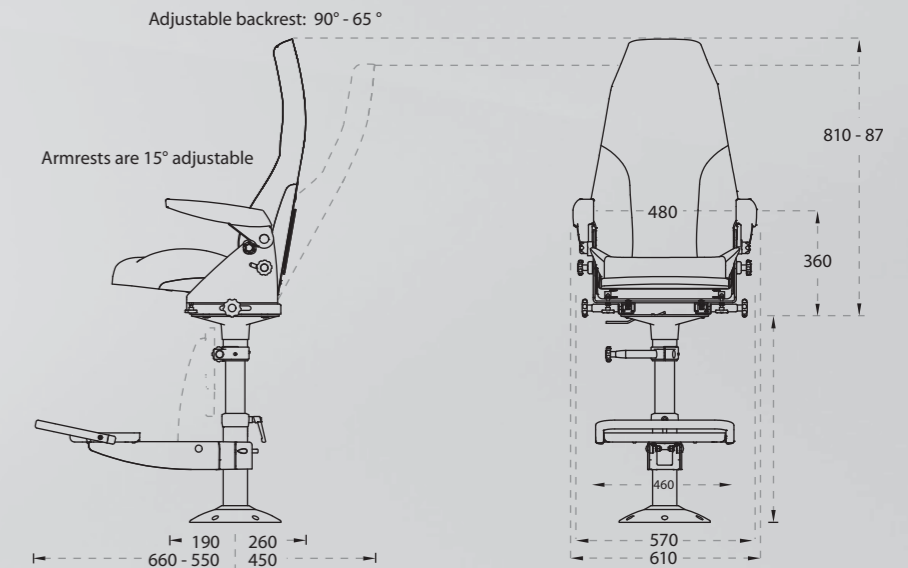
Please see page 18 - 21 for further details.

All sitting heights measures without load - a variation of 2-5 cm may occur depending on the load due to contraction of gas-struts, springs and upholstery. Does not apply the fixed height models. All fixed height columns can be cut to desired sitting height. The / indicates min. max cutting height. If nothing else is agreed, the chair will be delivered with black leather upholstery.



NorSap 800 - Art. No.: 6200

- On a top mounted deck rail Art. No.: 6250-1500UL



Working diameter of the chair folded Ø640. Expanded, Ø1200. Weight 32 Kg.

More info on the web...

