



Photo Courtesy of Victoria Shipyard

Jastram Model H Helm Pumps

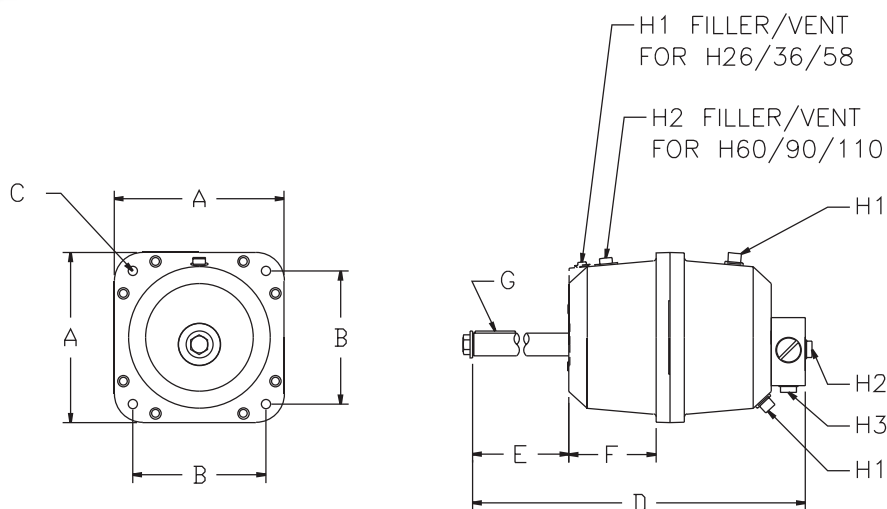
This high quality, precision axial piston pump features proven designs and marine grade materials.

The H pumps are designed to operate in 'non-pressurized' hydraulic systems requiring only two lines from the helm pump to the cylinder. The Model H helm pumps include the following standard features:

- An external lockvalve to isolate with helm and prevent rudder feedback
- A pressure rating for the lockvalve of 1,875 PSI
- A powder coated, high strength cast aluminum housing which provides corrosion and abrasion resistance
- A flexible mounting pattern allowing any angle between the vertical and horizontal axis
- An internal capacity to act as a small vented oil reservoir

Recommended Wheel Sizes for the Model H helm pumps

MODEL	STEERING WHEEL SIZE	
	min diameter	max diameter
H26, H36	20"	30"
H58	30"	36"
H60, H90, H110	36"	60"



G* = Length of key for steering wheel:

All pumps have 1/4" sq. key on a 1" dia. Straight shaft.
All pumps have a 1/2" NC stainless steel wheel bolt.

HELM PUMP OVERALL DIMENSIONS (INCHES)											
Helm Pump Model	Helm Pump Displacement (IN ³)	A	B	C Dia.	D	E	F	G	H1	H2	H3
H26 / H36 / H58	2.6 / 3.6 / 5.8	5 5/8"	4 3/8"	9/32"	9 17/64"	2 5/32"	2 27/64"	1/4" sq Key x 1 1/2" LG	1/4" NPT	-08 SAE	-
H60 / 90 / 110	6.0 / 9.0 / 11.0	7 1/2"	5 7/8"	13/32"	15 27/64"	4 1/4"	3 27/32"	1/4" sq Key x 1 25/32" LG	1/2" NPT	-	-08 SAE

Helm Pump Model	Part Number	Cubic Inch Displacement Per Revolution	Weight (LBS)	Weight (LBS)
H26	JA-301001-4	2.6	11.9	11.9
H36	JA-301001-5	3.6	11.9	11.9
H58*	JA-301007-2	5.8	12.8	12.8
H60	JA-301002-4	6.0	41.9	41.9
H90	JA-301002-5	9.0	41.9	41.9
H110	JA-301002-6	11.0	41.9	41.9

*The H58, which requires a header tank or auto-fill system

Recommended line sizes and lengths are based on the combined distance of both lines

Helm Pump Model	Distance between Helm & Cylinder			Minimum Wall Thickness	
	50 Ft	65Ft	95Ft	Tube Diameter	Wall
H26 / H36	1/2"	5/8"	5/8"	1/2"	0.035"
H58	5/8"	5/8"	3/4"	5/8"	0.049"
H60 / H90	5/8"	5/8"	3/4"	3/4"	0.049"
H110	3/4"	3/4"	1"	1"	0.65"

Standard ISO Grade 32 Hydraulic oil must be used within a Jastram hydraulic steering system.

WARNING: DO NOT USE TRANSMISSION OIL OR BRAKE FLUID

Jastram Helm pumps are serviceable, seal kit part numbers are:

- JA-950000-1; covers Model H helms H26, H36 and H58
- JA-950001-1; covers Model H helms H60, H90 and H110

Last update: 17/January/2014 - Data is subject to change without notice.