

Roll Fin Stabilizer

Electronically Operated ▶▶▶▶▶▶▶▶▶▶



2.5 sq. ft. to 22 sq. ft. ▶▶▶▶▶▶▶▶▶▶

WESMARTM



Systems The Pros Depend On
www.wesmar.com

WESMAR Roll Fin Stabilizer

■ Electronic Gyro System Delivers Lightning Speed Reaction; Exceptional Performance

WESMAR's electronic system cycles at 1000 times per second delivering lightning speed reaction for exceptional performance. The electronic gyro sensor sends information about roll velocity and acceleration directly to WESMAR's proportional valves, which react instantaneously to rotate the fins. When a desired lift is achieved to counteract the rolling force of a wave, WESMAR's closed proportional hydraulic system instantly interacts with the electronic gyro to correct the rolling. This coordinated response stabilizes the vessel immediately.

■ The WESMAR Advantage

- No hydraulic hoses to the gyro compared to as many as 6 additional hoses on competitive hydraulic gyros.
- Fins can be electronically/hydraulically centered to least resistance for true null position, requiring no haul out.
- No moving parts in electronics including the gyro.
- No gyro adjustments.
- No electronic maintenance.
- No horizon adjustment.
- Easy to install.
- Plug and play proportional driver card - prewired harness.



Electric Gyro Console



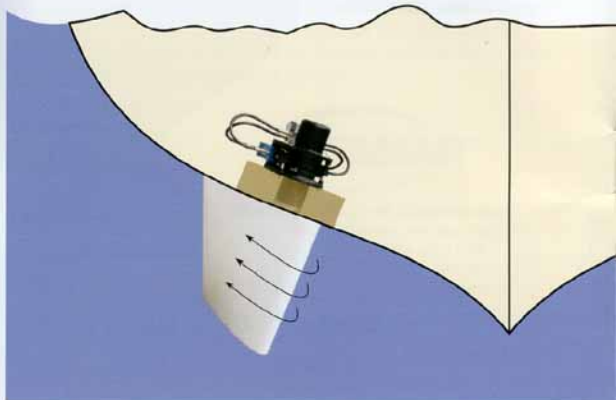
"[The stabilizer] has kept the boat from yawing so much in following seas and has knocked 70% of the roll out of the boat. They have performed very, very well and we are very happy with them."

~ Captain Lee Goodin
of ICON



"We like to install WESMAR systems on our custom yachts because they are individually engineered for each installation and the systems come in a complete package for ease of installation and trouble-free operation."

~ Kenter Yachts

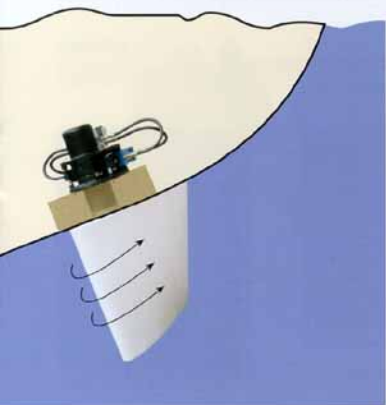


zers >>>>>>>

With thousands of dollars at stake every time you move your boat away from the dock, it's crucial to use WESMAR's reliable and dependable roll fin stabilizers, not to mention the comfort and peace of mind they bring to cruising.

■ WESMAR'S Roll Fin Stabilizer – 2.5 to 22 sq. ft. fins

- Optional heel control on command.
- Console sensitivity adjustment for fin reaction time.
- LED dimmer control switch.
- Waterproof switches and LED's.
- Optional remote switch.
- Unique electronic gyro.
- Electronically adjusts for 90% of the rolls.
- Rugged, triple layer fin construction.
- Pleasure boat applications.
- Commercial applications.
- Electronic upgrade packages.
- 12 or 24 VDC system available.



"They are the popular choice among our customers for their reliable, rugged design."



"The WESMAR reputation for quality, reliability and sturdy design makes them the obvious choice for us."



"The electronic gyro design is really impressive."

Choose a WESMAR Stabilizer

■ Advanced Technology Design

- Lightning speed reaction time. Superior performance. Exceptional comfort. WESMAR stabilizers add comfort and control to your cruising.
- Quick delivery time from date of order.
- Worldwide service and support through a fully trained dealer network.
- Over 35 years of marine manufacturing experience.

■ Comfort At Your Fingertips

With the WESMAR stabilizer system, the captain has heel/trim* control at all times along with full control of the fin's reaction time with the sensitivity control. WESMAR has conveniently positioned them on the main console. This allows for immediate control over a wide variety of constantly changing sea conditions and ensures quick and accurate corrections. The optional adjustable heel control feature allows trimming of the vessel on demand. *optional



"We install WESMAR stabilizers and bow thrusters exclusively because of their ease of installation, excellent reliability, and because of the outstanding support we receive from the factory."

~ Offshore Yachts



"The WESMAR stabilizer and thruster performed flawlessly on a four month trip aboard 'Mr. Sun' - not even a blown fuse. I'm so pleased with the WESMAR equipment that I've recommended the stabilizers and thrusters to my friends."

~ Alcín Cabral
Grand Banks Yacht Owner

The Retrofit Package:

■ Part of the WESMAR Electronic Gyroscope Roll Fin Stabilizer Line

WESMAR's versatile electronic roll fin stabilizer includes optional retrofit packages that allows boat yards and boat owners to modernize their outdated stabilizer systems without replacing the existing actuators and fins. Boat owners can install an advanced electronic package, immediately improving the performance of their stabilizer without hauling the vessel. Also eliminates extra hoses and fittings from older systems.

For more information about the retrofit package, call WESMAR at **(425) 481-2296**.



RS 250 Stabilizer Console



Remote Station

■ Dual Cylinder Actuator 6 to 22 sq. ft. systems

Adds strength, reliability and flexibility using WESMAR's stabilizers for the larger, high speed, high performance vessels.



- Prewired proportional valve driver card assembly.
- Plug and play assembly.
- Proportional valves – interconnect 50'.
- 5K potentiometers – interconnect 50'.
- Console interconnect – interconnect 50'.
- 12 to 24 VDC power source – interconnect 10'.
- Main console interconnect – 50'.
- Gyro interconnect – 10'.

WESMAR's
Standard
Manifold



Vickers V-10
Hydraulic
Pump



- Pressure, tank, P1, T1, P2, T2, ports.
- 10 micron filter.
- Dump valve.
- Pressure relief valve.
- Gauge / mounting brackets.
- Bow thruster ports A & B.



"WESMAR stabilizers are a well-engineered product."



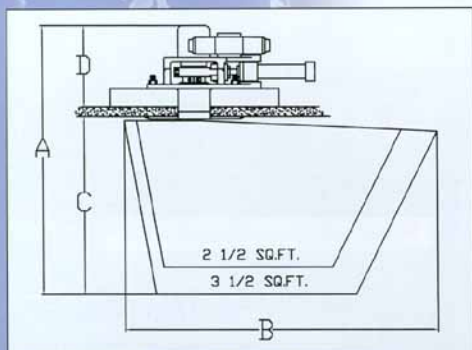
"We get great service. I don't have to worry about anything – WESMAR's there to support us."



"The simplicity of the design justifies a WESMAR unit every time."

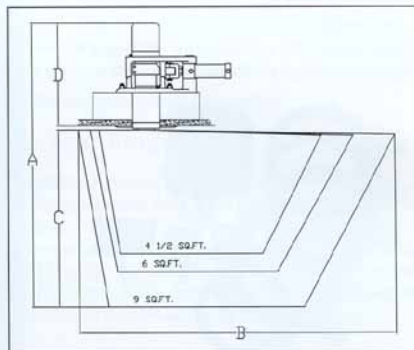
Roll Fin Stabilizer Specific

Low Profile



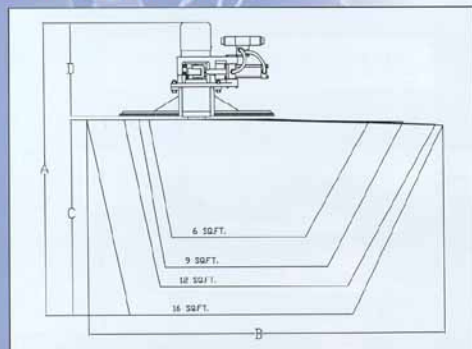
MODEL	RS250	RS350
FIN SIZE	2.5 sq. ft.	3.5 sq. ft.
A	25.90 (656mm)	28.84 (733mm)
B	28.20 (716mm)	33.56 (847mm)
C	16.19 (411mm)	19.07 (484mm)
D	8.78 (223mm)	8.78 (223mm)

Single Cylinder



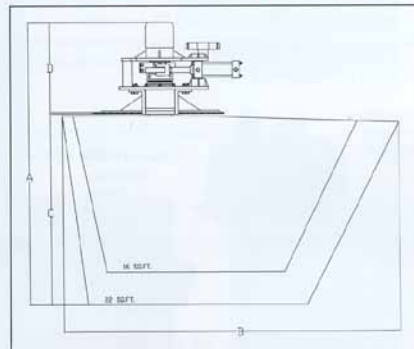
MODEL	RS400	RS600	RS900
FIN SIZE	4.5 sq. ft.	6 sq. ft.	9 sq. ft.
A	39.25 (997mm)	42.25 (1073mm)	48.25 (1226mm)
B	37.56 (954mm)	44.50 (1130mm)	53.60 (1361mm)
C	21.00 (533mm)	24.00 (610mm)	30.00 (762mm)
D	17.48 (444mm)	17.48 (444mm)	17.48 (444mm)

Dual Cylinder



MODEL	RS632	RS932	RS1200	RS1600
FIN SIZE	6.32 sq. ft.	9.32 sq. ft.	12 sq. ft.	16 sq. ft.
A	43.87 (1114mm)	49.87 (1267mm)	53.87 (1368mm)	59.53 (1512mm)
B	44.50 (1130mm)	53.60 (1361mm)	63.30 (1608mm)	72.27 (1836mm)
C	24.00 (610mm)	30.00 (762mm)	34.00 (864mm)	39.66 (1007mm)
D	19.10 (485mm)	19.10 (485mm)	19.10 (485mm)	19.10 (485mm)

Dual Cylinder with 5" Shaft



MODEL	RS1650	RS2200
FIN SIZE	16 sq. ft.	22 sq. ft.
A	63.81 (1621mm)	72.16 (1833mm)
B	72.27 (1836mm)	85.69 (2176mm)
C	39.66 (1007mm)	48.63 (1235mm)
D	23.15 (588mm)	23.15 (588mm)

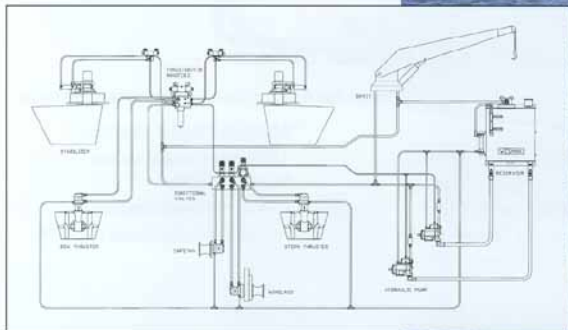
Applications

Custom and Standard Hydraulic Systems

- WESMAR hydraulic thruster and stabilizer combination packages.
- Stand alone stabilizer systems.



"We only install the best products on our vessels. WESMAR stabilizers are standard equipment—period."



- Custom hydraulic systems provided that operate thrusters, stabilizers, winches, davits, cranes, capstans, cruise generators, stern thrusters, and more.



"WESMAR makes a very credible product. If they didn't, we would not use them."



"We like WESMAR stabilizers because they are reliable and our customers are pleased with them."

Customer Boat Specifications

Please fill in and return to WESMAR via mail, fax (425-486-0909) or email (mech@wesmar.com).

Name of Boat: _____ Year Built: _____

Length: _____ Draft: _____ Beam: _____

Displacement: _____ GM: _____

Location: _____ Top Speed: _____

Windage: L: _____ M: _____ H: _____

Boat Builder: _____ Hull #: _____



More of what you need.



Every year, WESMAR invites dealers from around the world to participate in training seminars. We're committed to keeping dealers current on all the latest advances and have found that these seminars are an excellent way to maintain superior service for all customers. These thoroughly trained and equipped dealers support WESMAR products throughout the world and offer you the finest workmanship and products available on the market today. Contact WESMAR for the dealer nearest you.

Hull-mounted Fish Detection Sonars

Choose the HD800 focused beam sonars for its long list of **extraordinary features:**

- Focused Beam
- Increased Transmit power
- Seamless programming
- Power boost mode
- Instant sector change mode
- Acoustically transparent soundome adjustments
- Multiple Display Windows
- 100% more target colors
- Vertical profile
- Enhanced profile mode
- Automatic target tracking, GPC.



Vortex Bow and Stern Thrusters

Introducing Vortex Thrust, WESMAR's newest generation of powerful, high performance bow and stern thrusters for advanced boat handling, comfort and control. Available in 28 models, from 5 to 350 horsepower and featuring WESMAR's legendary counter-rotating dual prop thruster design, which provides up to 40% additional thrust without increasing tunnel diameter. The dual prop system, invented by WESMAR in the early 1990s, adds a second counter-rotating propeller, changing lost swirl energy into thrust (axial energy). The result is a rugged and reliable bow thruster that produces about 40% more thrust with the same input horsepower.



WESMAR's WARRANTY PROGRAM: All product illustrations and specifications are based on AUTHORIZED INFORMATION. Although they are believed correct at publication approval, accuracy cannot be guaranteed. WESMAR reserves the right to make changes from time to time, without notice or obligation, in specifications, characteristics or dimensions. Contact your WESMAR dealer for up-to-date information.

LIMITED WARRANTY AND D/ISCLAIMER. Seller warrants title, materials, and workmanship in equipment, except components manufactured by others for which seller assigns as permitted, the original manufacturer's warranty. SELLER'S WARRANTY PERIOD SHALL BE ONE (1) YEAR AFTER SHIPMENT TO ORIGINAL PURCHASER, during which time nonconforming equipment returned to Seller at Buyer's expense and risk shall be repaired at Seller's option. THE DURATION OF ALL IMPLIED WARRANTIES SHALL BE ONE (1) YEAR AFTER SHIPMENT TO ORIGINAL PURCHASER. THIS LIMITED WARRANTY IS IN LIEU OF ALL OTHER WARRANTIES, EXPRESSED OR IMPLIED, INCLUDING DESIGN, COURSE OF DEALING, MERCHANTABILITY, AND FITNESS FOR A PARTICULAR PURPOSE AND SELLER SHALL NOT BE LIABLE FOR LOSS OF USE, REVENUE, OR PROFIT, OR FOR INJURY, OR ANY OTHER CONSEQUENTIAL OR INCIDENTAL DAMAGES.



Western Marine Electronics

14120 NE 200th Street / PO Box 7201
Woodinville, WA 98072-4001 USA
P: (425) 481-2296 F: (425) 486-0909

Email: mech@wesmar.com Web: www.wesmar.com

